

## User's Guide

# C-25-0104

# VFD

(Vacuum Fluorescent Character Display Module)

---

For product support, contact

New haven Display International  
2511 Technology Drive #101  
Elgin , IL 601 24  
Tel: (847) 8 44-8795 Fax: (847) 8 44-8796

October 31, 2006

# Vacuum Fluorescent Display Specification

**PART NUMBER:** **C-25-0104**


**FEATURES:** 2 Digits – Seven Segmented

**APPLICATION:** Automotive- Temp Control- HVac

**RATINGS:** Below

<b>Outer Dimensions</b>	Panel Length	P.L.	100.0	mm	
	Panel Height	P.H.	25.0	mm	
	Panel Thickness	P.T.	6.1	mm	
<b>Leads</b>	Lead Pitch	L.P.	2.54	mm	
	Lead Out	-	DIL		
<b>Character Size</b>	Character Height	C.H.	-	mm	
	Character Width	C.W.	-	mm	
<b>Item</b>	<b>Symbol</b>	<b>Min.</b>	<b>Recommended</b>	<b>Max.</b>	<b>Unit</b>
<b>Filament Voltage</b>	Ef	2.88	3.20	3.52	Vdc
<b>Peak Grid Voltage</b>	ec	10.5	12.5	15.0	Vdc
<b>Peak Anode Voltage</b>	eb	10.5	12.5	15.0	Vdc
<b>Duty Cycle</b>	Du	-	-	-	-
<b>Pulse Width</b>	tp	-	-	-	-
<b>Operating Temperature</b>	Top	-40	-	+ 80	C
<b>Storage Temperature</b>	Tstg	-55	-	+ 85	C
<b>Color of Illumination</b>	Green				

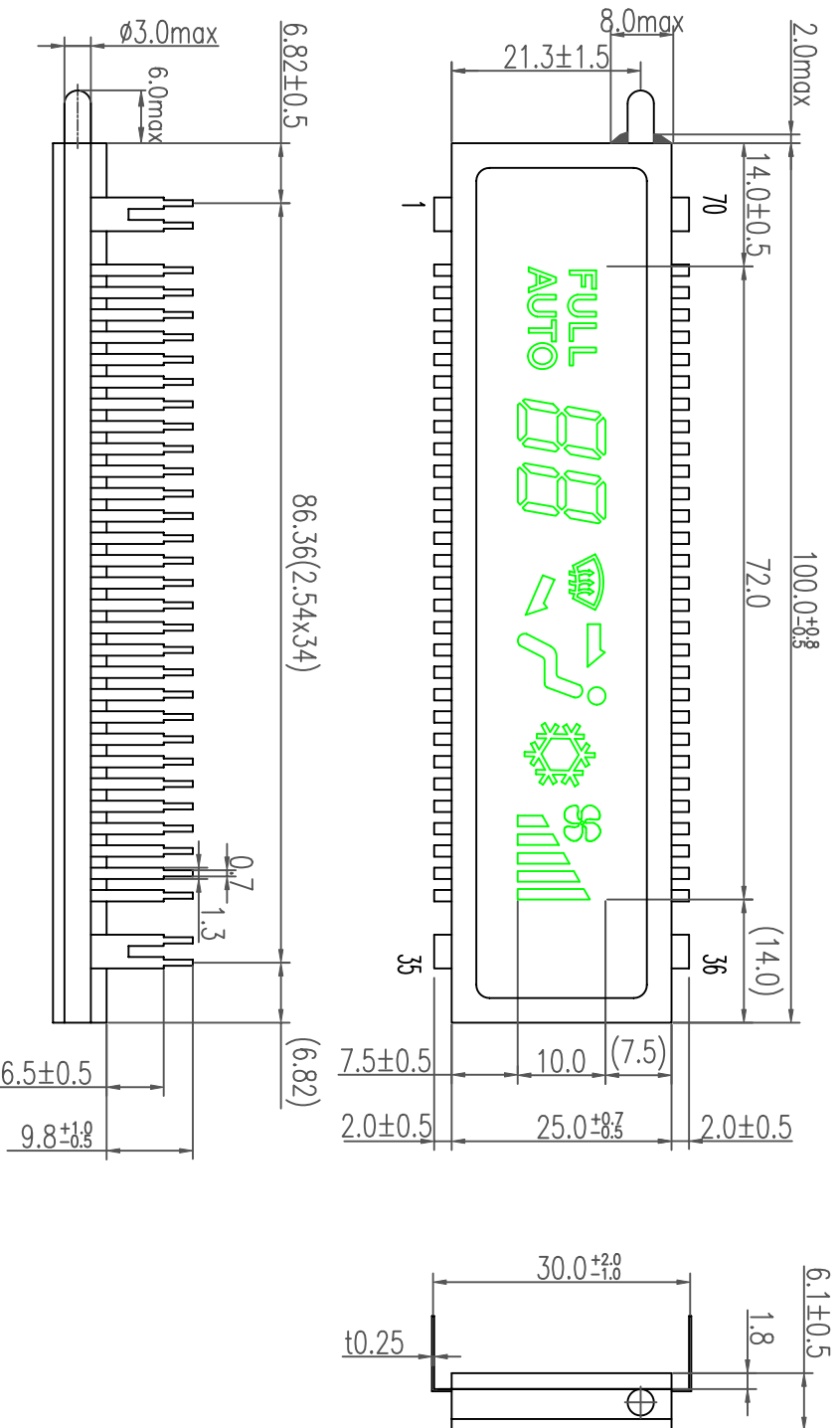
**Electrical  
Characteristics**

Item	Symbol	Test Condition	Min.	Typical	Max.	Unit
<b>Filament Current</b>	If -	Ef = 3.2 Vdc eb = ec = 0	167.0 -	185.0 -	204.0 -	mAdc -
<b>Anode Current</b>	ib / S4,S5,S8, B1~B5 ib/ S1,S2,S3, S6,S7 ib/  - -	Ef = 3.2 Vdc eb = 12.5 Vdc ec = 12.5 Vdc	-	.85	1.5	mAdc
			-	1.7	2.9	mAdc
			-	1.8	3.0	mAdc
			-	-	-	-
			-	-	-	-
<b>Grid Current</b>	ic /G - - - -		-	26.0	45.0	mAdc
			-	-	-	-
			-	-	-	-
			-	-	-	-
			-	-	-	-
<b>Luminance</b>	L(G) - -		1450 (423)	2900 (846)	-	cd/m <sup>2</sup> /fL
			-	-	-	cd/m <sup>2</sup> /fL
			-	-	-	cd/m <sup>2</sup> /fL
<b>Luminance Ratio</b>	Lmin/Lmax		50	-	-	%
<b>Grid Cut-off Voltage</b>	Ecco	Ef = 3.2 Vdc Eb =12.5 Vdc	-0	-	-	Vdc
<b>Anode Cut-off Voltage</b>	Ebco	Ef = 3.2 Vdc ec = 12.5 Vdc	-0	-	-	Vdc

**DRIVE MODE: Dynamic State**

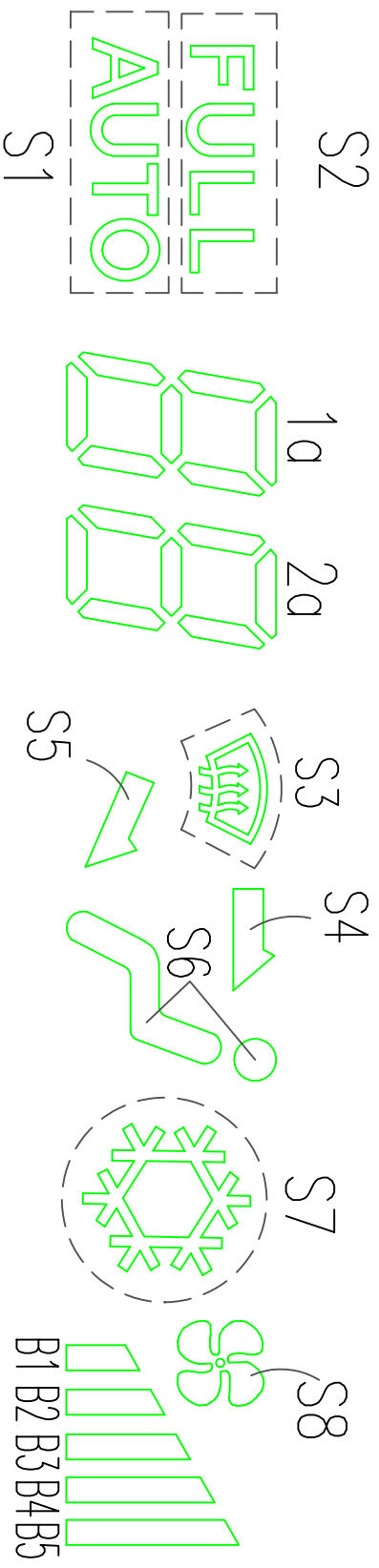
附图 1：外形图 Outline Drawing (Unit:mm)

型号 Type No.: VFD25-0104



注 F: 灯丝 (Filament) G: 栅极 (Grid) NP: 无引脚 (No Pin) NC: 无连接 (No Connection)  
IC: (Internal connection)

附图2：显示内容 Display Pattern



显示颜色: (color of illumination)

绿色 (Green):(x=0.250,y=0.440) 全部 All the patterns

