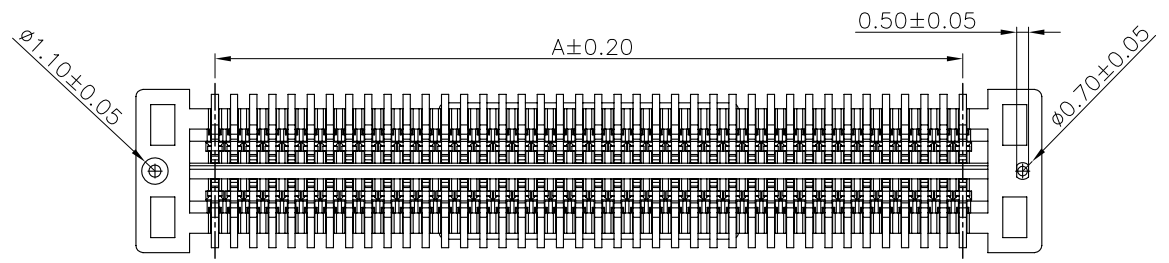
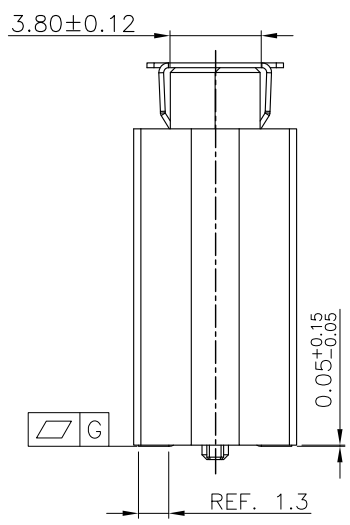
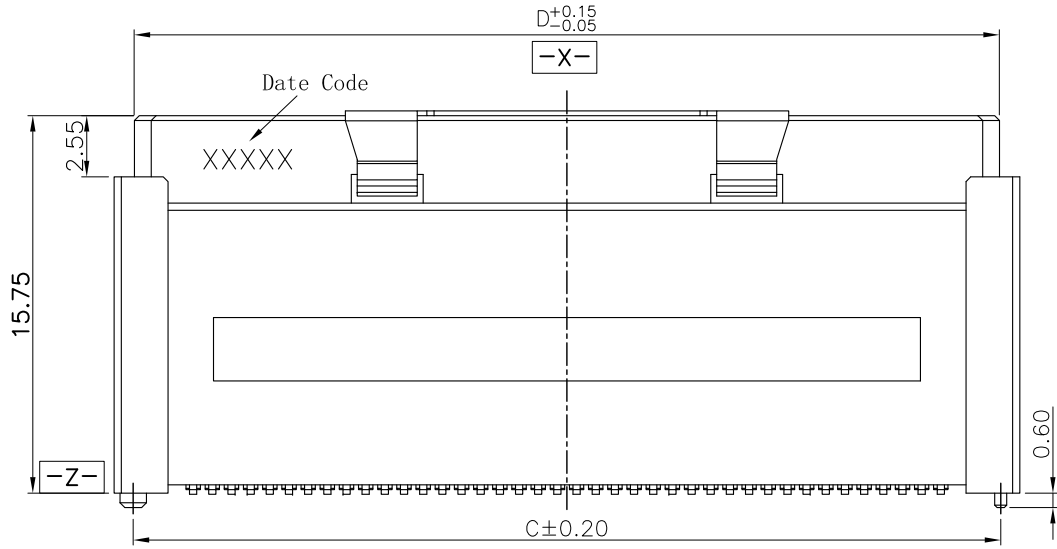
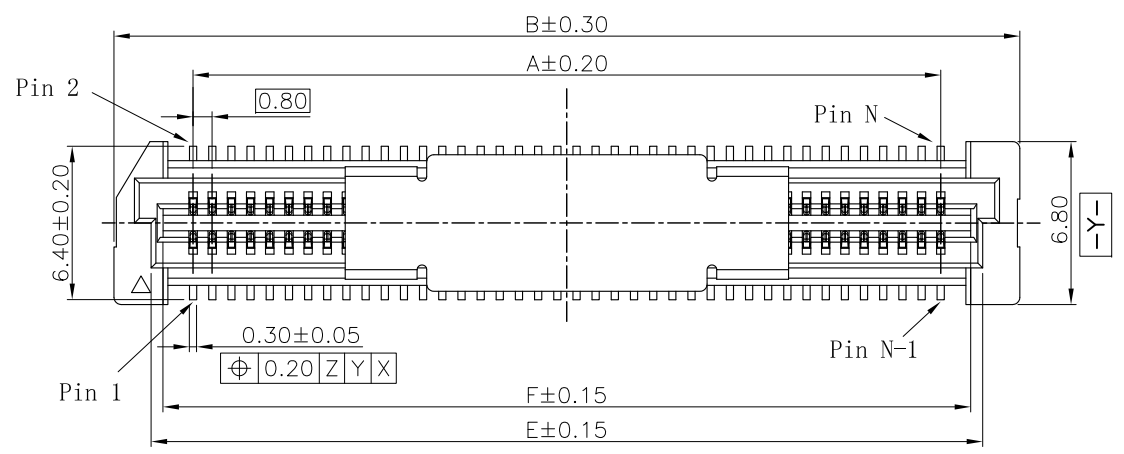


REV.	ECN Number	Description	Drawn
1	CS19060029	RELEASE	Peak_2019.06.14
②	E19100026	Add plating code:3, part NO.comparison	WSY_2019.10.31



NOTES: (UNLESS OTHERWISE SPECIFIED)
 1. DIMENSION SHALL BE INTERPRETED PER ANSI Y14.5M-1994.
 2. MATERIAL:
 HOUSING MATERIAL: HIGH TEMPERATURE PLASTICS.
 CONTACT MATERIAL: COPPER ALLOY,
 VACUUM COVER MATERIAL: STAINLESS STEEL.
 3. PRODUCT NUMBER MATRIX:

Series code: B A 4 2-XX D T-X X -X H X
 0.80 Pitch
 Receptacle
 PIN No.: N
 20~80:20~80PIN
 A0:100PIN G0:160PIN
 C0:120PIN I0:180PIN
 E0:140PIN K0:200PIN
 Height D: H=15.75mm
 Soldering Type T:SMT
 0:Without Chamfer
 1:With Chamfer
 Housing Color Null:Nature B:Black

Packing:
 B:REEL+MPAD
 Q:HOT SEALING REEL+MPAD
 H:Halogen free
 Plating

Definition	Code
Contact area:8u"	Z
Solder area:GF	

◎ Duplex plated

Flash	K	1u"	S	3u"	L
5u"	M	10u"	N	15u"	P
20u"	Q	25u"	T	30u"	U
2u"	3				

◎ All plated is lead free.



TOLERANCE UNLESS OTHERWISE SPECIFIED			
X.X	±0.30	X.°	±3°
X.XX	±0.20	X.X°	±2°
X.XXX		X.XX°	±1°

SCALE	1:1
UNIT	mm
SIZE	A4

ORIGINAL DRAWN: Wu shuying
 DATE: 2019.10.31
 CHECK: Xu Peiguang
 DATE: 2019.10.31
 APPROVE: Ady Zhou
 DATE: 2019.10.31

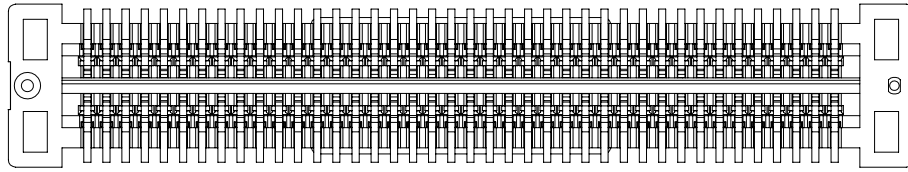
DWG. NO. 600-0000-0471
 PARTS NO. (INTENDED USE) BA42-XXDT-XX-XHX

TITLE
 BA42-XXDT
 CUSTOMER DRAWING

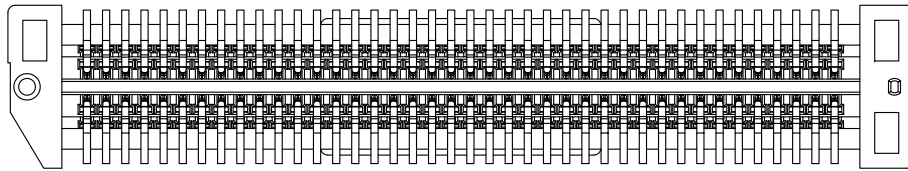
REV. 2
 SHEET 1/2

PRODUCT NUMBER MATRIX: BA42-XXDT-XX-XHX

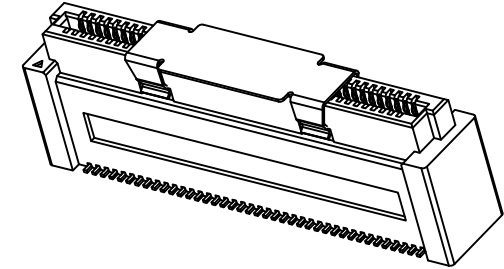
↑
0:Without Chamfer
1:With Chamfer



BA42-XXDT-0X-XHX

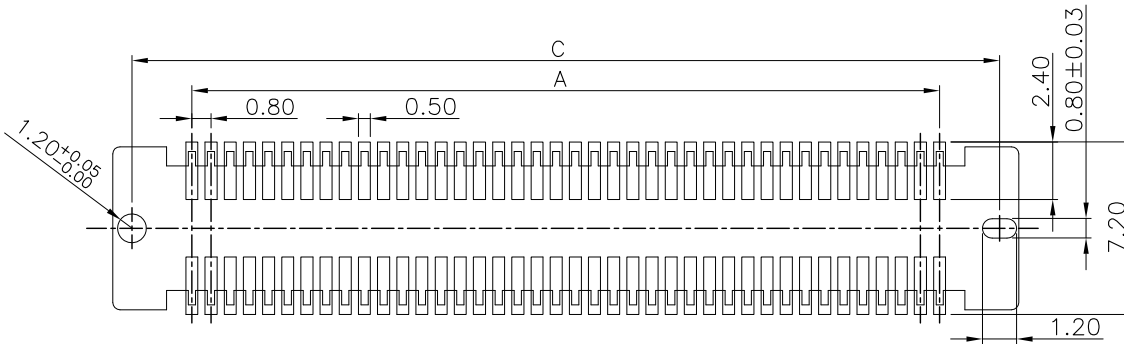


BA42-XXDT-1X-XHX



②

OLD AND PART NO. COMPARISION	
OLD	NEW
ZIV-XXSA-X-X-X	BA42-XXDT-XX-XXX
AB42-XXXX-004	
AB42-XXDT-X-XXX	



RECOMMENDED PCB LAYOUT
TOLERANCE ±0.05

PIN NO.	CIRCUITS	DIM.A	DIM.B	DIM.C	DIM.D	DIM.E	DIM.F	DIM.G
20	20PIN	7.20	13.80	12.80	12.10	10.7	9.70	0.10
40	40PIN	15.20	21.80	20.20	20.10	18.7	17.7	
60	60PIN	23.20	29.80	28.20	28.10	26.7	25.7	
80	80PIN	31.20	37.80	36.20	36.10	34.7	33.7	
A0	100PIN	39.20	45.80	44.20	44.10	42.7	41.7	0.12
C0	120PIN	47.20	53.80	52.20	52.10	50.7	49.7	
E0	140PIN	55.20	61.80	60.20	60.10	58.7	57.7	
G0	160PIN	63.20	69.80	68.20	68.10	66.7	65.7	
I0	180PIN	71.20	77.80	76.20	76.10	74.7	73.7	
K0	200PIN	79.20	85.80	84.20	84.10	82.7	81.7	



ShenZhen ShenTai weixiang Electronics Co., Ltd.

TOLERANCE UNLESS OTHERWISE SPECIFIED			
X.X	±0.30	X.°	±3°
X.XX	±0.20	X.X°	±2°
X.XXX		X.XX°	±1°

SCALE	1:1
UNIT	mm
SIZE	A4

ORIGINAL DRAWN:	Wu shuying
CHECK:	Xu Peiguang
APPROVE:	Ady Zhou

DATE	2019.10.31
DATE	2019.10.31
DATE	2019.10.31

DWG. NO.	600-0000-0471
PARTS NO. (INTENDED USE)	BA42-XXDT-XX-XHX

TITLE	BA42-XXDT CUSTOMER DRAWING
-------	-------------------------------

REV.	2
SHEET	2/2