

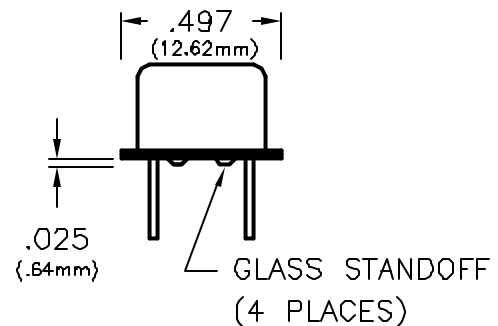
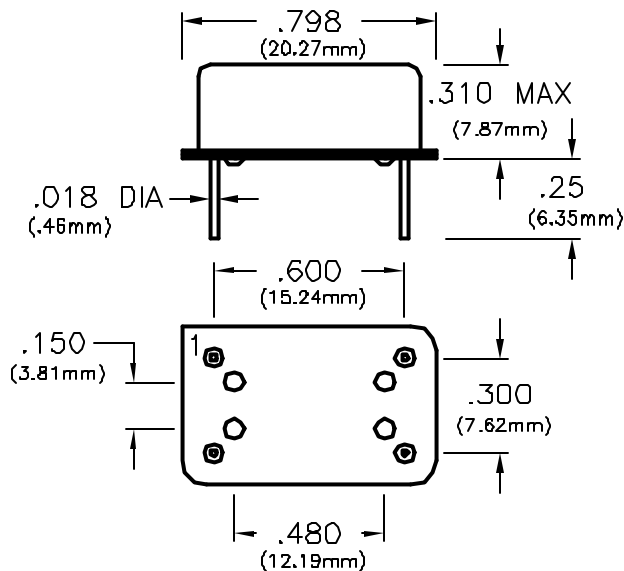


CONNOR-WINFIELD CORPORATION

AURORA, IL. 60505
 PHONE (630) 851-4722
 FAX (630) 851-5040

HIGH FREQUENCY 14 PIN DIP SINEWAVE

SPECIFICATIONS	SX52-*5**	SX53-*5**	SX54-*5**
Frequency Range	6MHz to 400MHz	6MHz to 400MHz	6MHz to 200MHz
Frequency Stability	±50ppm	±100ppm	±20ppm
Temperature Range	0°C to +70°C		
Supply Voltage	1	+5Vdc ±5%	EXAMPLE MODEL NUMBER: S X 5 3 - 1 5 0 3 SX Sinewave Series (±100ppm, 0 to +70°C) Supply Voltage (+5Vdc) Load (50 Ohm) Output Power (0dBm) Output Power Tolerance (±3dBm)
* - add suffix to model number	2	+12Vdc ±5%	
	3	+15Vdc ±5%	
Load	5	50 Ohm	
Output Power	0	0dBm	
* - add suffix to model number	2	1.5dBm	
	3	3dBm	
	4	-5dBm	
	5	7dBm	
	6	10dBm	
	7	12dBm	
Output Power Tolerance	1	±1dBm	
* - add suffix to model number	2	±2dBm	
	3	±3dBm	
Total Harmonic Distortion	-25dBm Maximum , -35dBm Typical		
Supply Current	50mA Maximum , 25mA Typical		
Start Up Time	10mS Maximum		
Package	All metal, hermetically sealed, welded package		



PIN	CONNECTION
1	GROUND (CASE)
7	GROUND (CASE)
8	OUTPUT
14	Vcc

Specifications subject to change without notice

BULLETIN #: SW005
 PAGE 1 OF 1

REV: 14
 DATE: 4/11/03

ISSUED BY: _____

Dimensional Tolerance: ±.02"
 ±.005"