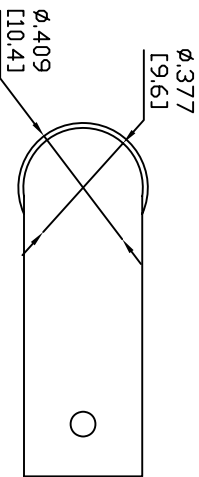
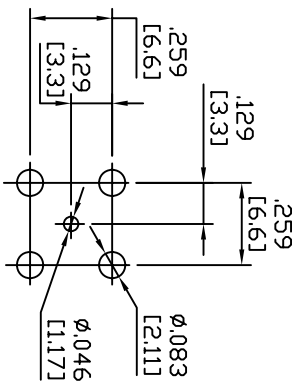
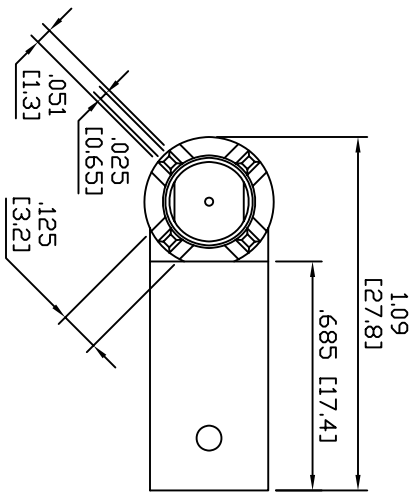
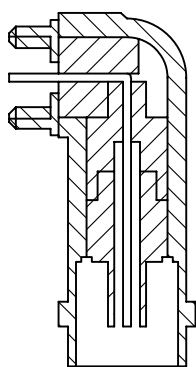
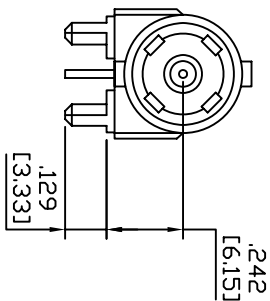
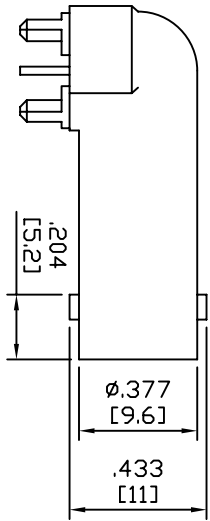


Rev	AWO #	Description	Date	Appr
-		RELEASED	4/18/06	

APPROVED: _____
 DATE: _____ TITLE: _____



RECOMMENDED P.C.B. LAYOUT

SPECIFICATIONS:

Material:

Body: Zinc, Nickel over underplate

Insulator: Delrin

Contacts color: White

Contacts: Phosphor Bronze, Gold flash over underplate

Electrical:

Operating voltage: 500 VAC max

Frequency range: 0-4

Impedance: 50 ohm

VSWR: 1.2 max 0-2GHz

Contact resistance: 3mohms max at DC 1A

Insulation resistance: 1,000 Mohms min at DC 500V

Dielectric withstanding voltage: 1,500 VAC for 1 minute

Environmental:

Lead free, RoHS compliant.

Recommended soldering temp: 235°C for 5 sec.



ADAM TECH

909 Railway Avenue, Union, NJ 07083
 Phone: 908-687-5000 Fax: 908-687-5710

BNC CONNECTOR MOUNT 50 OHM

UNLESS OTHERWISE SPECIFIED ALL DIMENSIONS ARE MM [INCHES] TOLERANCES: EXCEPT AS NOTED	
INCHES	HILES
.X ± .10	ØXX ± .10
.XX ± .020	ØXXX ± .015
.XXX ± .015	ØXXXX ± .010
APPROVALS	DATE
DRAWN LFU	4/18/06
CHECKED	
APPROVED	

TITLE	SIZE	PART NO.	REV.
BNC CONNECTOR MOUNT 50 OHM	X	RF1-15-D-00-50	-
REF:	SCALE:	MTS	SHEET 1 OF 1

6 5 4 3 2 1