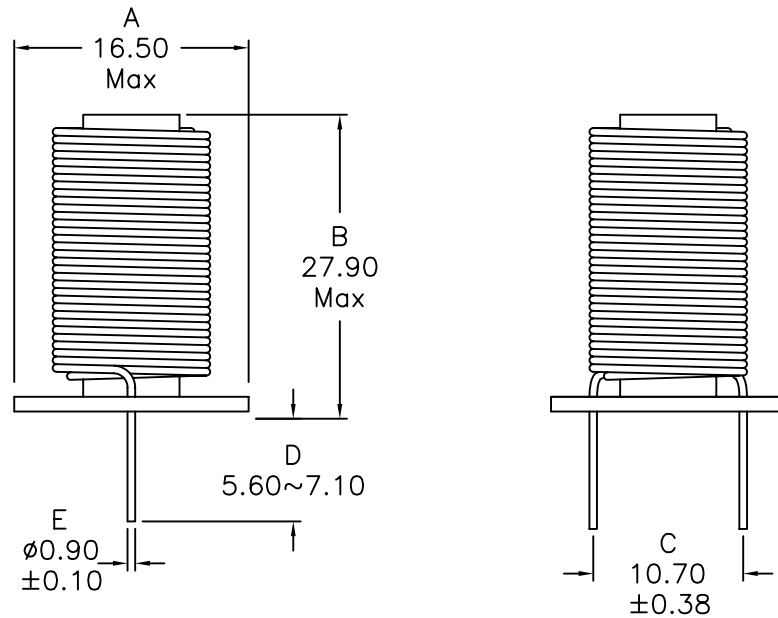
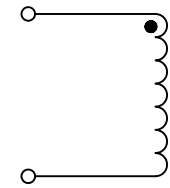


### 1. Mechanical Dimensions:



### 2. Schematic:



### 3. Electrical Specifications: @25°C

OCL: 47uH $\pm$ 10% @10KHz 0.1V

Q: 10 Min @10KHz 0.1V

DCR: 0.050 Ohms Max

Irms: 5.3A (Based on 40°C Temp Rise)

**Notes:**

1. Solderability: Leads shall meet MIL-STD-202G, Method 208H for solderability.
2. Flammability: UL94V-0
3. ASTM oxygen index: > 28%
4. Insulation System: Class F 155°C. UL file E151556
5. Operating Temperature Range: All listed parameters are to be within tolerance from -40°C to +85°C
6. Storage Temperature Range: -55°C to +125°C
7. Aqueous wash compatible
8. Electrical and mechanical specifications 100% tested
9. RoHS Compliant Component

DOC. REV: A/1

<b>XFMRs Inc</b> www.XFMRS.com	Title: <b>INDUCTOR</b>		
	UNLESS OTHERWISE SPECIFIED TOLERANCES: .xx $\pm$ 0.25 Dimensions in MM		P/N: XFRLV01-473
SHEET 1 OF 1	DWN.	Feng	Jun-24-11
	CHK.	YK Liao	Jun-24-11
	APP.	BW	Jun-24-11