

REV.	ECN. NO.	APPD.
A	BC-16-0051057	Nick Lin
B	BC-18-0012198	Nick Lin
C	BC-19-0008681	Nick Lin

NOTES: UNLESS OTHERWISE SPECIFIED

- DIMENSIONS SHALL BE INTERPRETED PER ASME Y14.5-2009.
- THE SPEC OF THE PRODUCT IS SHOWN ON DRAWING 303-0300-3250
- THE MATERIALS OF THE PRODUCT IS SHOWN ON DRAWING 303-0500-3250
- DATE CODE: "\*\*\*\*" REFER TO FOXCONN'S DOC. "SQ-3B0-070"
- THE "FIT" LOGO IS LOCATED APPROX. AS SHOWN,
- THE SPOT WELDING AREA IS LOCATED APPROX AS SHOWN
- HARMFUL MATERIAL CONTROL PLEASE FOLLOW FOXCONN'S DOC. "EPI12".
- THE CONCENTRATIONS OF Br&Cl CAN SATISFY THE REQUIREMENT OF HALOGEN-FREE IN DOCUMENT "EPI12".
- PLEASE CONTACT FOXCONN SALES REPRESENTATIVE TO VERIFY PRODUCT DETAILS & AVAILABILITY.
- PRODUCT NO. MATRIX :

LDL 2 \*\* \* - 2 4 E \* \* - \*\*

SAS Connector

MOUNTING END TYPE

2=Receptacle

NO. OF POS.

38=38 POS.

74=74 POS.

CONTACT AREA PLATING

1 = GOLD FLASH WITH RoHS COMPLIANT

3 = 30u" GOLD WITH RoHS COMPLIANT

6 = 10u" GOLD WITH RoHS COMPLIANT

7 = 15u" GOLD WITH RoHS COMPLIANT

Y = 5~10u" GOLD WITH RoHS COMPLIANT

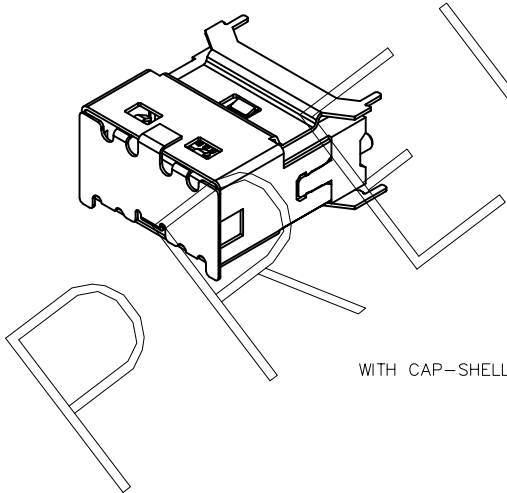
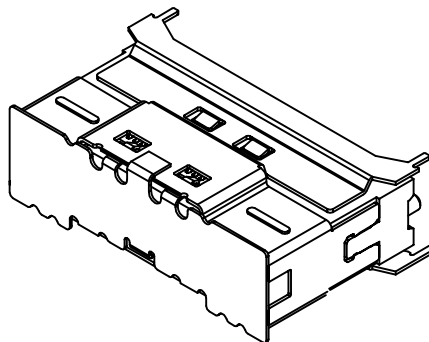
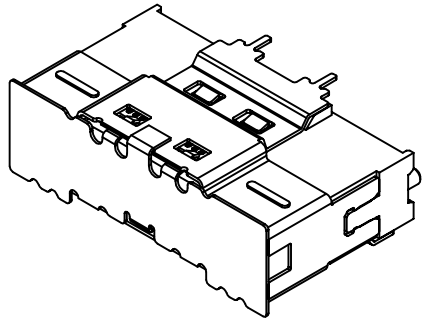
F=Lead Free  
H=Halogen Free & Lead Free  
Package Code: 4= SOFT TRAY  
6= SOFT TRAY & CAP  
7= Tape & Reel  
9= Tape Reel & Cap

Extension Code: 0~9


0=SHELL SMT TYPE  
1=SHELL LENGTH 1.50mm  
2=SHELL LENGTH 2.20mm  
3=SHELL LENGTH 3.00mm  
4=SHELL LENGTH 4.20mm  
5=SHELL LENGTH 1.50mm WITH PACKAGE PITCH=28MM  
6=SHELL LENGTH 2.20mm WITH PACKAGE PITCH=28MM(FOR 38PIN)  
7=SHELL LENGTH 3.00mm WITH PACKAGE PITCH=28MM(FOR 38PIN)  
8=SHELL LENGTH 4.20mm WITH PACKAGE PITCH=28MM

Transmission Speed: 4=SAS3.0&PCIe GEN 4

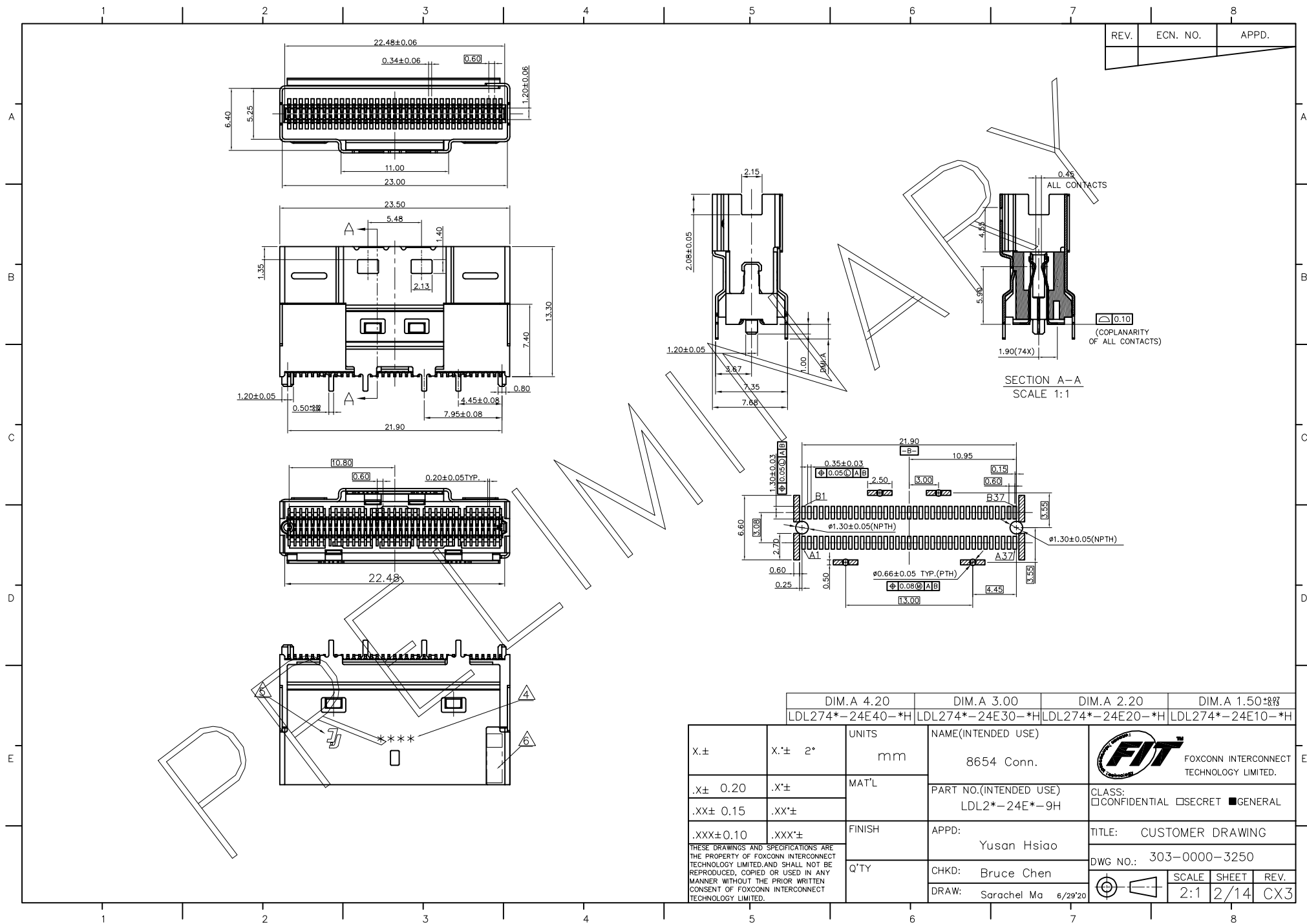
Mounting End Type: 2=SMT V/T



WITH CAP-SHELL

X.±	X.± 2°	UNITS	NAME(INTENDED USE)	 FOXCONN INTERCONNECT TECHNOLOGY LIMITED.							
		mm	8654 Conn.								
.X± 0.20	.X±	MAT'L	PART NO.(INTENDED USE)	CLASS: <input type="checkbox"/> CONFIDENTIAL <input type="checkbox"/> SECRET <input checked="" type="checkbox"/> GENERAL							
.XX± 0.15	.XX±		LDL2*-24E*-9H								
.XXX±0.10	.XXX±	FINISH	APPD:	TITLE: CUSTOMER DRAWING							
THESE DRAWINGS AND SPECIFICATIONS ARE THE PROPERTY OF FOXCONN INTERCONNECT TECHNOLOGY LIMITED AND SHALL NOT BE REPRODUCED, COPIED OR USED IN ANY MANNER WITHOUT THE PRIOR WRITTEN CONSENT OF FOXCONN INTERCONNECT TECHNOLOGY LIMITED.			Yusan Hsiao	DWG NO.: 303-0000-3250							
			Q'TY	CHKD: Bruce Chen	<table border="1"> <thead> <tr> <th>SCALE</th> <th>SHEET</th> <th>REV.</th> </tr> </thead> <tbody> <tr> <td>2:1</td> <td>1/14</td> <td>CX3</td> </tr> </tbody> </table>	SCALE	SHEET	REV.	2:1	1/14	CX3
			SCALE	SHEET		REV.					
2:1	1/14	CX3									
	DRAW: Sarachel Ma 6/29/20										

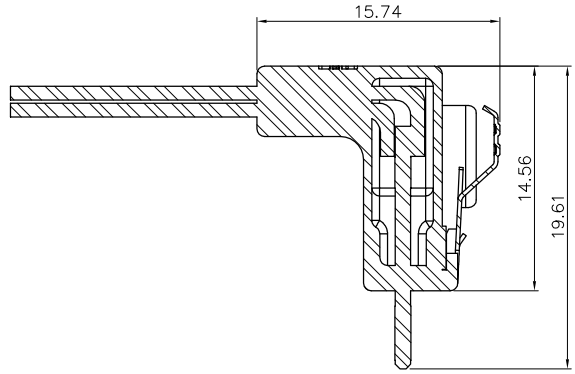
REV.	ECN. NO.	APPD.
------	----------	-------



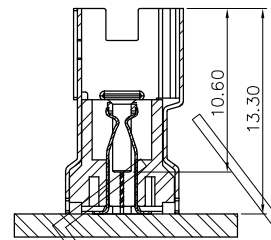
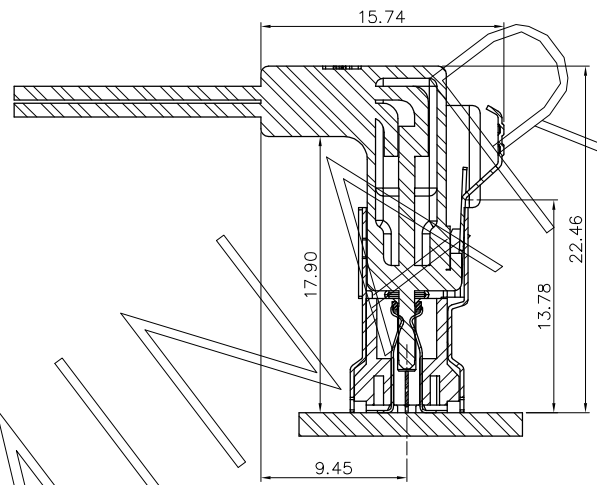
DIM.A 4.20	DIM.A 3.00	DIM.A 2.20	DIM.A 1.50±0.03
LDL274*-24E40-*H	LDL274*-24E30-*H	LDL274*-24E20-*H	LDL274*-24E10-*H

X.±	X.± 2*	UNITS	NAME(INTENDED USE)	FOXCONN INTERCONNECT TECHNOLOGY LIMITED.	
.X± 0.20	.X'±	mm	8654 Conn.		
.XX± 0.15	.XX'±	MAT'L	PART NO.(INTENDED USE)	CLASS: <input type="checkbox"/> CONFIDENTIAL <input type="checkbox"/> SECRET <input checked="" type="checkbox"/> GENERAL	
.XXX±0.10	.XXX'±	FINISH	APPD:	TITLE: CUSTOMER DRAWING	
THESE DRAWINGS AND SPECIFICATIONS ARE THE PROPERTY OF FOXCONN INTERCONNECT TECHNOLOGY LIMITED AND SHALL NOT BE REPRODUCED, COPIED OR USED IN ANY MANNER WITHOUT THE PRIOR WRITTEN CONSENT OF FOXCONN INTERCONNECT TECHNOLOGY LIMITED.			Yusan Hsiao	DWG NO.: 303-0000-3250	
			Q'TY	CHKD: Bruce Chen	SCALE SHEET REV.
				DRAW: Sarachel Ma 6/29/20	2:1 2/14 CX3

REV.	ECN. NO.	APPD.




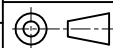
PLUG



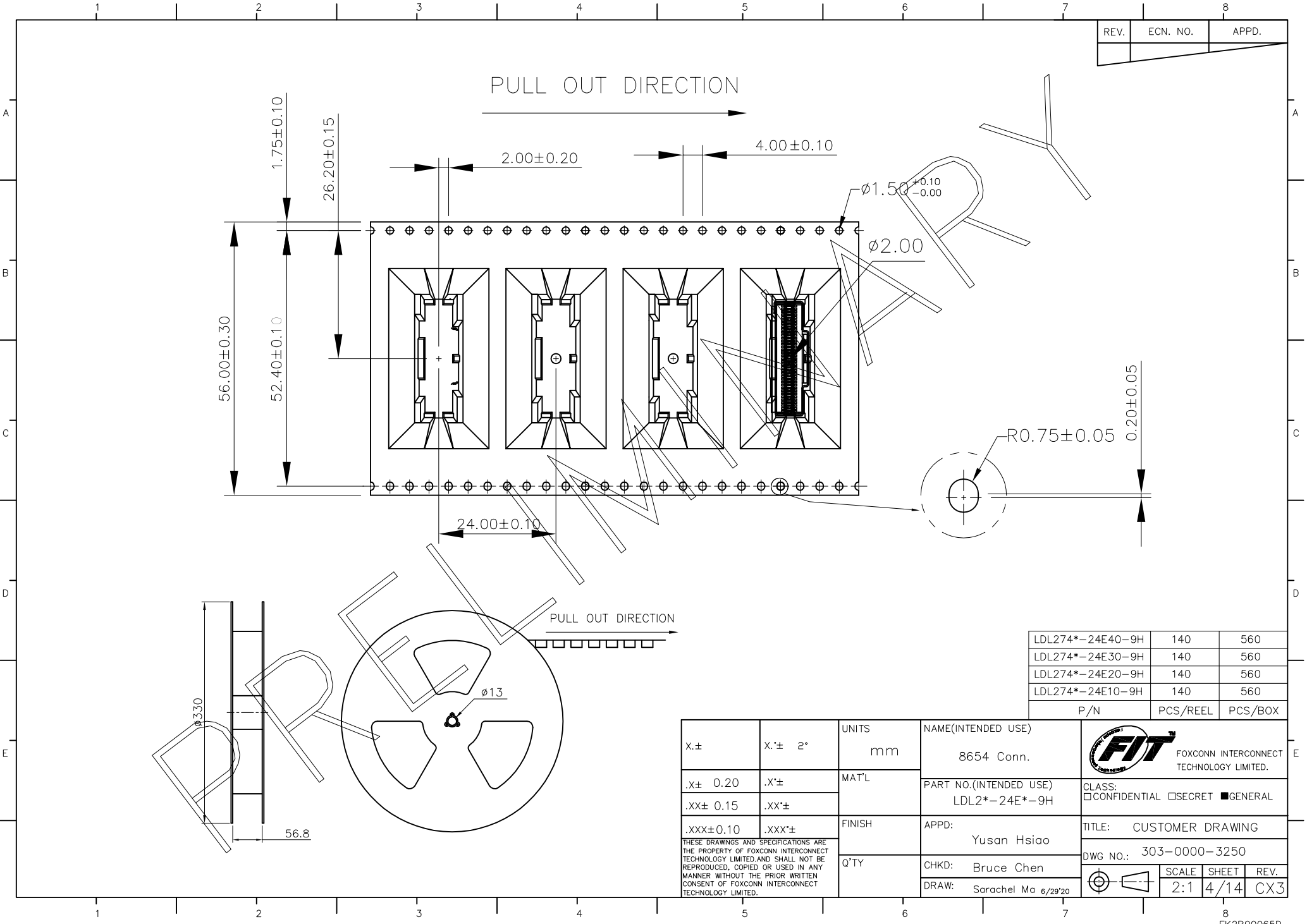
REC




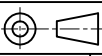
DIM.A 4.20	DIM.A 3.00	DIM.A 2.20	DIM.A 1.50
LDL274*-24E40-*H	LDL274*-24E30-*H	LDL274*-24E20-*H	LDL274*-24E10-*H

X.±	X.± 2°	UNITS mm	NAME(INTENDED USE) 8654 Conn.	 FOXCONN INTERCONNECT TECHNOLOGY LIMITED.
.X± 0.20	.X±	MAT'L	PART NO.(INTENDED USE) LDL2*-24E*-9H	
.XX± 0.15	.XX±	FINISH	APPD: Yusan Hsiao	CLASS: <input type="checkbox"/> CONFIDENTIAL <input type="checkbox"/> SECRET <input checked="" type="checkbox"/> GENERAL
.XXX±0.10	.XXX±		Q'TY	CHKD: Bruce Chen
THESE DRAWINGS AND SPECIFICATIONS ARE THE PROPERTY OF FOXCONN INTERCONNECT TECHNOLOGY LIMITED AND SHALL NOT BE REPRODUCED, COPIED OR USED IN ANY MANNER WITHOUT THE PRIOR WRITTEN CONSENT OF FOXCONN INTERCONNECT TECHNOLOGY LIMITED.		DRAW: Sarachel Ma 6/29/20		DWG NO.: 303-0000-3250
				 SCALE SHEET REV. 2:1 3/14 CX3

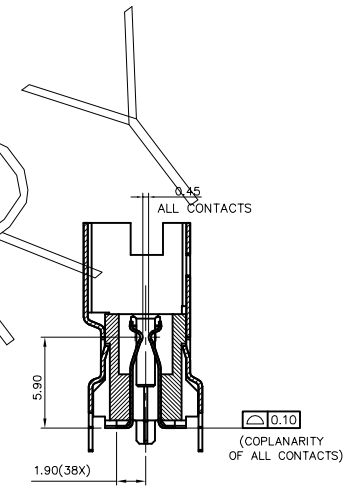
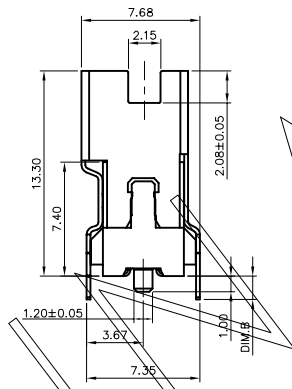
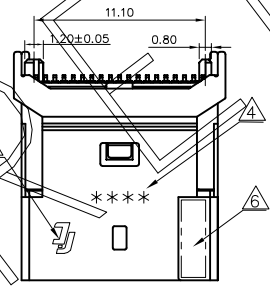
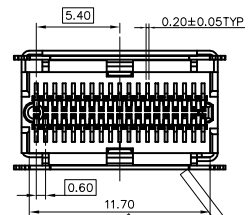
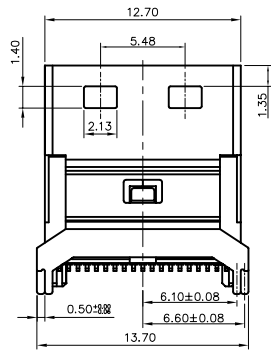
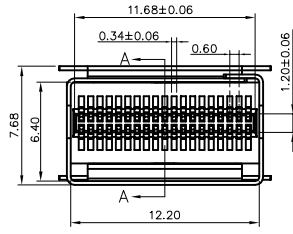
REV.	ECN. NO.	APPD.



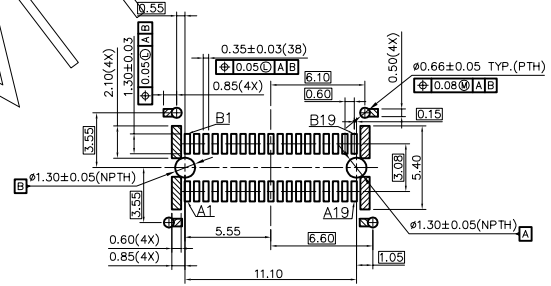
LDL274*-24E40-9H	140	560
LDL274*-24E30-9H	140	560
LDL274*-24E20-9H	140	560
LDL274*-24E10-9H	140	560
P/N	PCS/REEL	PCS/BOX

X.±	X.± 2°	UNITS mm	NAME(INTENDED USE) 8654 Conn.	 FOXCONN INTERCONNECT TECHNOLOGY LIMITED.
.X± 0.20	.X'±	MAT'L	PART NO.(INTENDED USE) LDL2*-24E*-9H	
.XX± 0.15	.XX'±	FINISH	APPD: Yusan Hsiao	CLASS: <input type="checkbox"/> CONFIDENTIAL <input type="checkbox"/> SECRET <input checked="" type="checkbox"/> GENERAL
.XXX±0.10	.XXX'±		Q'TY	CHKD: Bruce Chen
THESE DRAWINGS AND SPECIFICATIONS ARE THE PROPERTY OF FOXCONN INTERCONNECT TECHNOLOGY LIMITED AND SHALL NOT BE REPRODUCED, COPIED OR USED IN ANY MANNER WITHOUT THE PRIOR WRITTEN CONSENT OF FOXCONN INTERCONNECT TECHNOLOGY LIMITED.			DRAW: Sarachel Ma 6/29/20	DWG NO.: 303-0000-3250
			 SCALE SHEET REV. 2:1 4/14 CX3	


REV.	ECN. NO.	APPD.



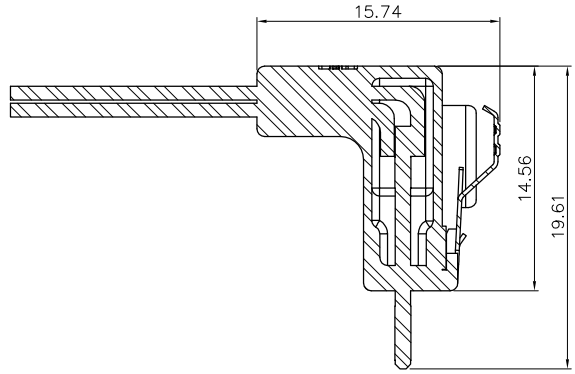
SECTION A-A  
SCALE 1:1



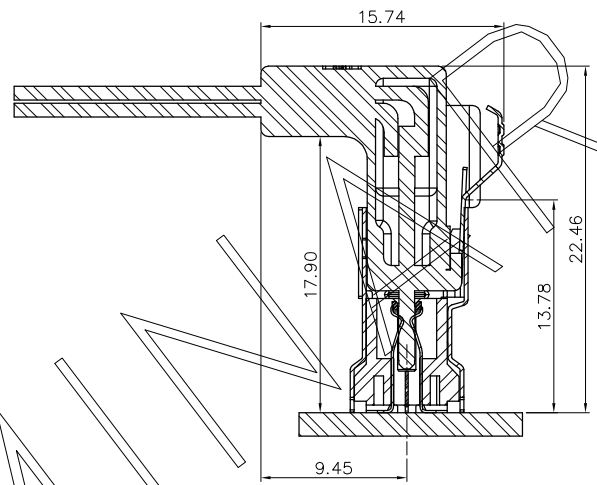
LDL238*-24E70-*H	3.00
LDL238*-24E50-*H	1.50
LDL238*-24E40-*H	4.20
LDL238*-24E30-*H	3.00
LDL238*-24E20-*H	2.20
LDL238*-24E10-*H	1.50
P/N	DIM.B

X.±	X.± 2°	UNITS mm	NAME(INTENDED USE) 8654 Conn.	 FOXCONN INTERCONNECT TECHNOLOGY LIMITED.
.X± 0.20	.X±	MAT'L	PART NO.(INTENDED USE) LDL2*-24E*-9H	
.XX± 0.15	.XX±	FINISH	APPD: Yusan Hsiao	TITLE: CUSTOMER DRAWING
.XXX±0.10	.XXX±	Q'TY	CHKD: Bruce Chen	DWG NO.: 303-0000-3250
THESE DRAWINGS AND SPECIFICATIONS ARE THE PROPERTY OF FOXCONN INTERCONNECT TECHNOLOGY LIMITED AND SHALL NOT BE REPRODUCED, COPIED OR USED IN ANY MANNER WITHOUT THE PRIOR WRITTEN CONSENT OF FOXCONN INTERCONNECT TECHNOLOGY LIMITED.			DRAW: Sarachel Ma 6/29/20	SCALE: 2:1 SHEET: 5/14 REV: CX3

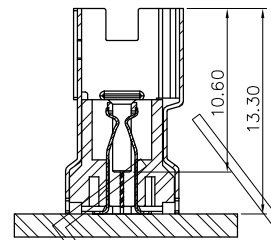
REV.	ECN. NO.	APPD.




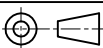
PLUG

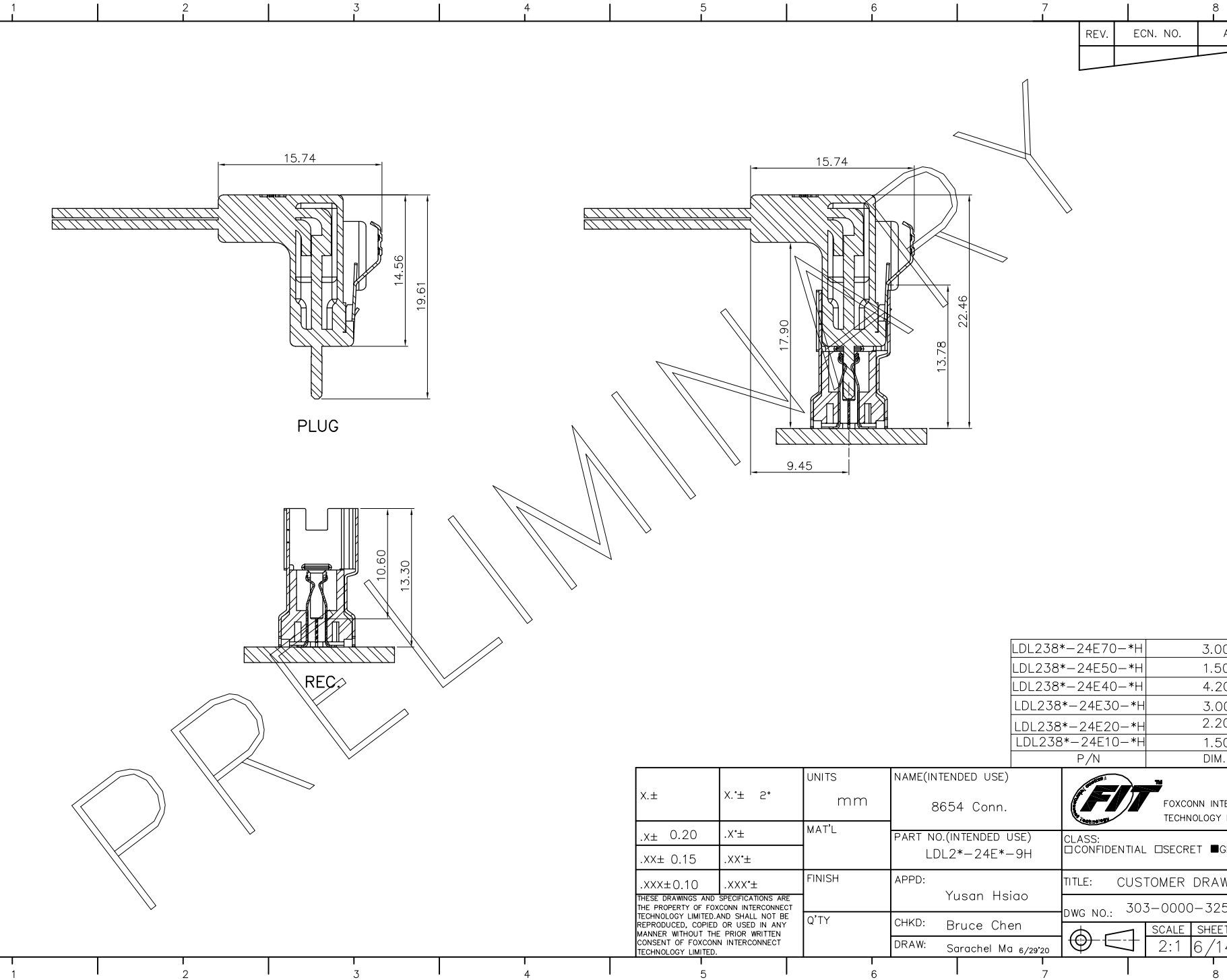


REC

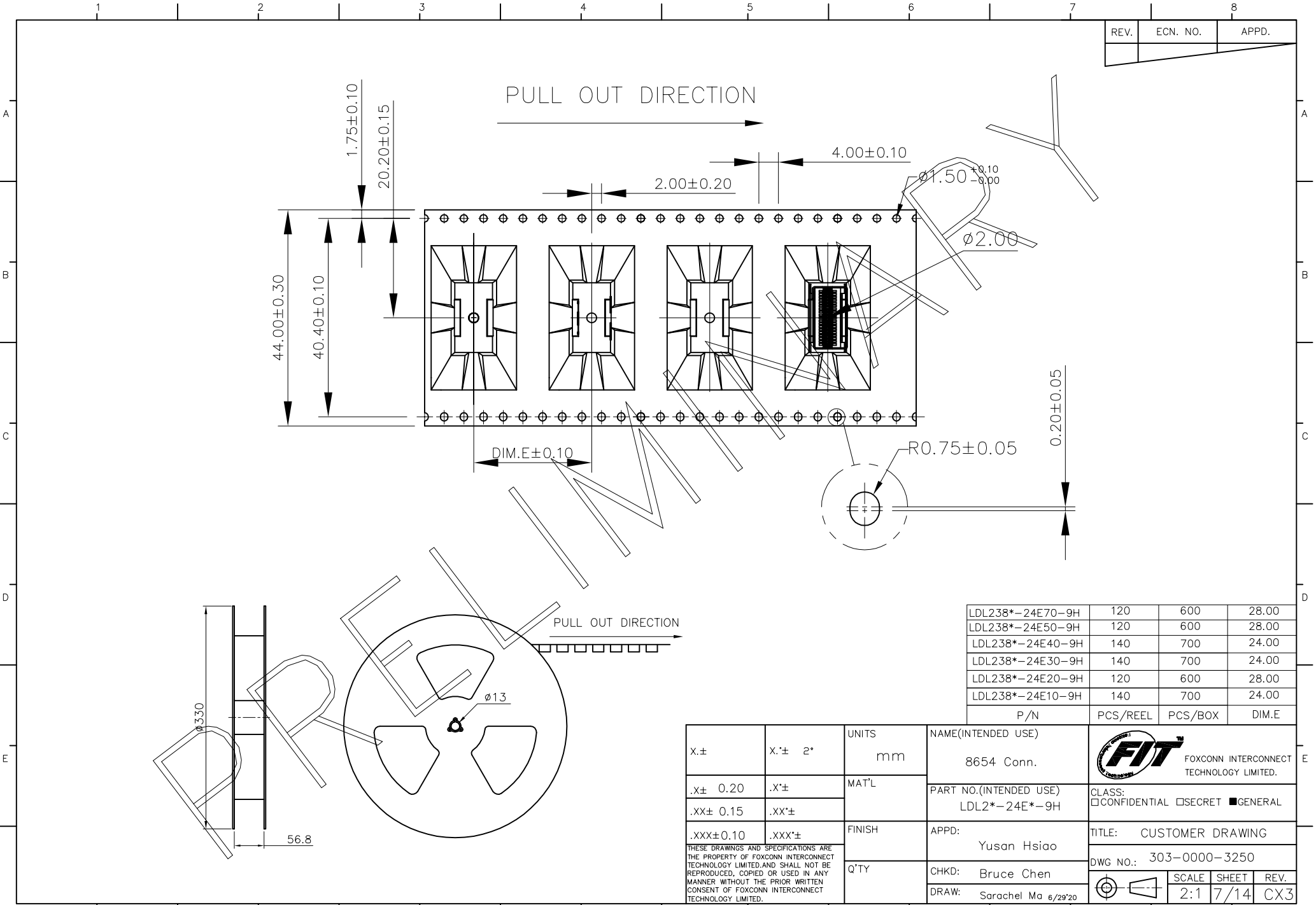


LDL238*-24E70-*H	3.00
LDL238*-24E50-*H	1.50
LDL238*-24E40-*H	4.20
LDL238*-24E30-*H	3.00
LDL238*-24E20-*H	2.20
LDL238*-24E10-*H	1.50
P/N	DIM.B

X.±	X.± 2°	UNITS mm	NAME(INTENDED USE) 8654 Conn.	 FOXCONN INTERCONNECT TECHNOLOGY LIMITED.
.X± 0.20	.X*±	MAT'L	PART NO.(INTENDED USE) LDL2*-24E*-9H	
.XX± 0.15	.XX*±	FINISH	APPD: Yusan Hsiao	TITLE: CUSTOMER DRAWING
.XXX±0.10	.XXX*±		Q'TY	CHKD: Bruce Chen
THESE DRAWINGS AND SPECIFICATIONS ARE THE PROPERTY OF FOXCONN INTERCONNECT TECHNOLOGY LIMITED AND SHALL NOT BE REPRODUCED, COPIED OR USED IN ANY MANNER WITHOUT THE PRIOR WRITTEN CONSENT OF FOXCONN INTERCONNECT TECHNOLOGY LIMITED.			DRAW: Sarachel Ma 6/29/20	 SCALE SHEET REV. 2:1 6/14 CX3



REV.	ECN. NO.	APPD.



LDL238*-24E70-9H	120	600	28.00
LDL238*-24E50-9H	120	600	28.00
LDL238*-24E40-9H	140	700	24.00
LDL238*-24E30-9H	140	700	24.00
LDL238*-24E20-9H	120	600	28.00
LDL238*-24E10-9H	140	700	24.00
P/N	PCS/REEL	PCS/BOX	DIM.E

X.±	X.± 2°	UNITS	NAME(INTENDED USE)
.X± 0.20	.X°±	mm	8654 Conn.
.XX± 0.15	.XX°±	MAT'L	PART NO.(INTENDED USE)
.XXX±0.10	.XXX°±	FINISH	LDL2*-24E*-9H
THESE DRAWINGS AND SPECIFICATIONS ARE THE PROPERTY OF FOXCONN INTERCONNECT TECHNOLOGY LIMITED AND SHALL NOT BE REPRODUCED, COPIED OR USED IN ANY MANNER WITHOUT THE PRIOR WRITTEN CONSENT OF FOXCONN INTERCONNECT TECHNOLOGY LIMITED.		Q'TY	APPD: Yusan Hsiao
			CHKD: Bruce Chen
			DRAW: Sarachel Ma 6/29/20

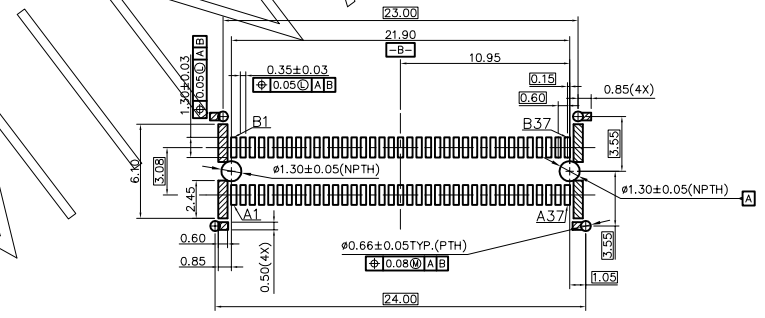
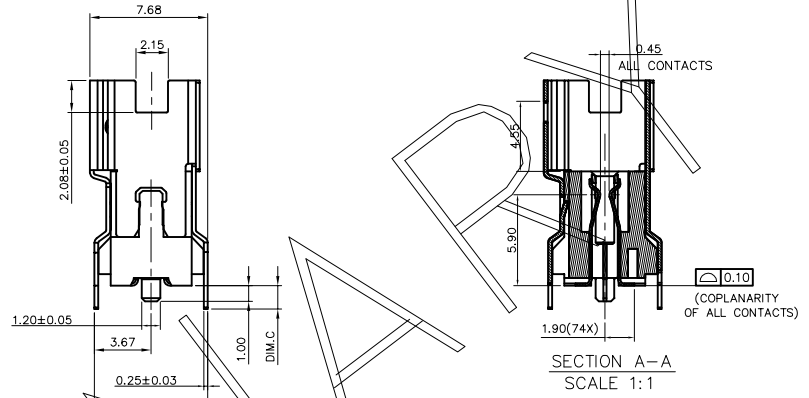
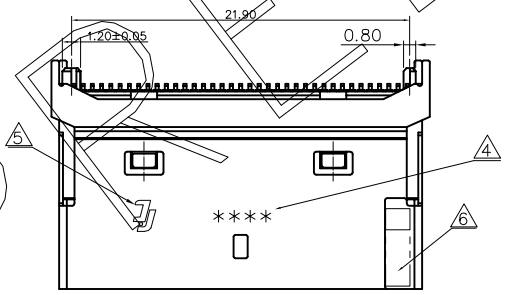
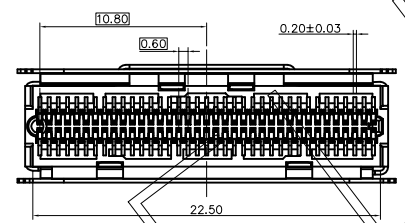
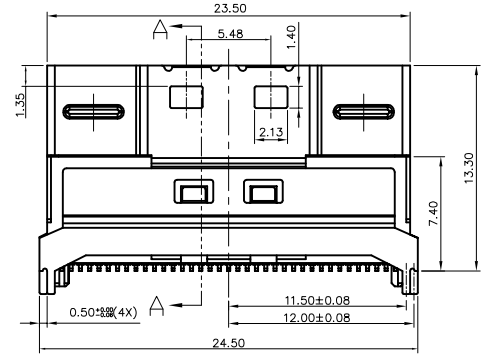
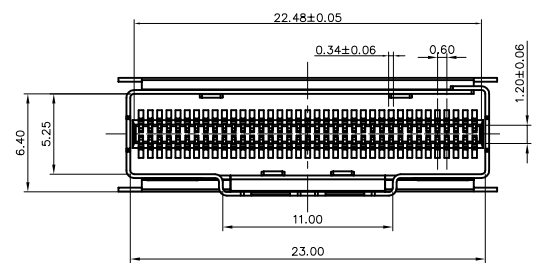


CLASS:  
 CONFIDENTIAL  SECRET  GENERAL


TITLE: CUSTOMER DRAWING  
 DWG NO.: 303-0000-3250

SCALE	SHEET	REV.
2:1	7/14	CX3

REV.	ECN. NO.	APPD.

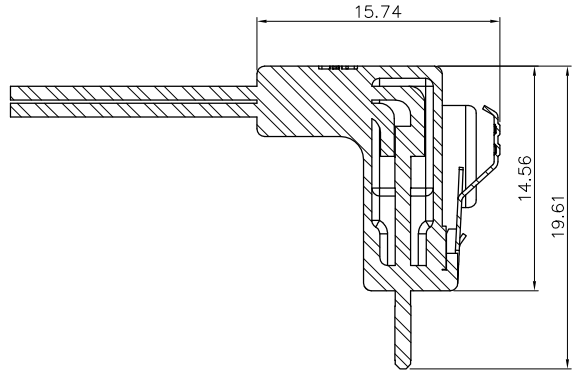


LDL274*-24E81-*H	DIM.C 4.20
LDL274*-24E51-*H	DIM.C 1.50
LDL274*-24E41-*H	DIM.C 4.20
LDL274*-24E31-*H	DIM.C 3.00
LDL274*-24E21-*H	DIM.C 2.20
LDL274*-24E11-*H	DIM.C 1.50±0.03

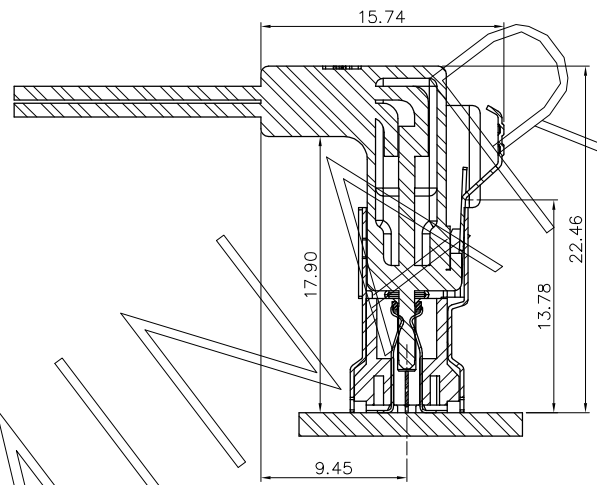
X.±	X'± 2°	UNITS mm	NAME(INTENDED USE) 8654 Conn.	 FOXCONN INTERCONNECT TECHNOLOGY LIMITED.
.X± 0.20	.X'±	MAT'L	PART NO.(INTENDED USE) LDL2*-24E*-9H	
.XX± 0.15	.XX'±	FINISH	APPD: Yusan Hsiao	CLASS: <input type="checkbox"/> CONFIDENTIAL <input type="checkbox"/> SECRET <input checked="" type="checkbox"/> GENERAL
.XXX±0.10	.XXX'±		Q'TY	CHKD: Bruce Chen DRAW: Sarachel Ma 6/29/20
THESE DRAWINGS AND SPECIFICATIONS ARE THE PROPERTY OF FOXCONN INTERCONNECT TECHNOLOGY LIMITED AND SHALL NOT BE REPRODUCED, COPIED OR USED IN ANY MANNER WITHOUT THE PRIOR WRITTEN CONSENT OF FOXCONN INTERCONNECT TECHNOLOGY LIMITED.			DWG NO.: 303-0000-3250	
			SCALE SHEET REV. 2:1 8/14 CX3	



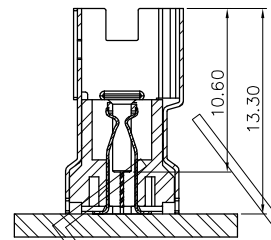
REV.	ECN. NO.	APPD.




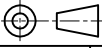
PLUG



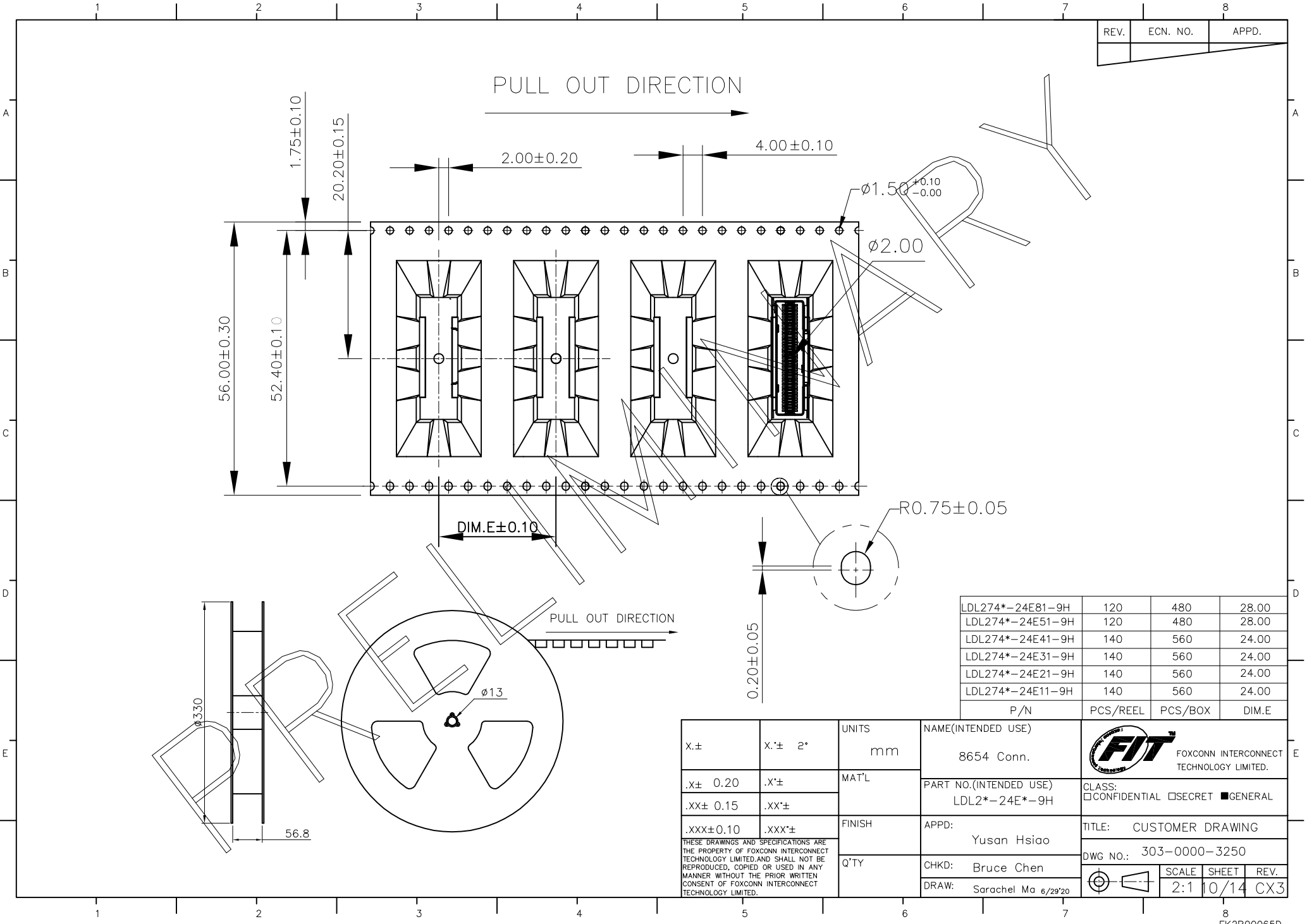
REC



LDL274*-24E81-*H	DIM.C 4.20
LDL274*-24E51-*H	DIM.C 1.50
LDL274*-24E41-*H	DIM.C 4.20
LDL274*-24E31-*H	DIM.C 3.00
LDL274*-24E21-*H	DIM.C 2.20
LDL274*-24E11-*H	DIM.C 1.50

X.±	X.± 2°	UNITS mm	NAME(INTENDED USE) 8654 Conn.	 FOXCONN INTERCONNECT TECHNOLOGY LIMITED.
.X± 0.20	.X*±	MAT'L	PART NO.(INTENDED USE) LDL2*-24E*-9H	
.XX± 0.15	.XX*±	FINISH	APPD: Yusan Hsiao	CLASS: <input type="checkbox"/> CONFIDENTIAL <input type="checkbox"/> SECRET <input checked="" type="checkbox"/> GENERAL
.XXX±0.10	.XXX*±		Q'TY	CHKD: Bruce Chen
THESE DRAWINGS AND SPECIFICATIONS ARE THE PROPERTY OF FOXCONN INTERCONNECT TECHNOLOGY LIMITED AND SHALL NOT BE REPRODUCED, COPIED OR USED IN ANY MANNER WITHOUT THE PRIOR WRITTEN CONSENT OF FOXCONN INTERCONNECT TECHNOLOGY LIMITED.			DRAW: Sarachel Ma 6/29/20	DWG NO.: 303-0000-3250
			 SCALE SHEET REV. 2:1 9/14 CX3	

REV.	ECN. NO.	APPD.



LDL274*-24E81-9H	120	480	28.00
LDL274*-24E51-9H	120	480	28.00
LDL274*-24E41-9H	140	560	24.00
LDL274*-24E31-9H	140	560	24.00
LDL274*-24E21-9H	140	560	24.00
LDL274*-24E11-9H	140	560	24.00
P/N	PCS/REEL	PCS/BOX	DIM.E

X.±	X.± 2°	UNITS	NAME(INTENDED USE)
		mm	8654 Conn.
.X± 0.20	.X'±	MAT'L	PART NO.(INTENDED USE)
.XX± 0.15	.XX'±		LDL2*-24E*-9H
.XXX±0.10	.XXX'±	FINISH	APPD:
THESE DRAWINGS AND SPECIFICATIONS ARE THE PROPERTY OF FOXCONN INTERCONNECT TECHNOLOGY LIMITED AND SHALL NOT BE REPRODUCED, COPIED OR USED IN ANY MANNER WITHOUT THE PRIOR WRITTEN CONSENT OF FOXCONN INTERCONNECT TECHNOLOGY LIMITED.		Q'TY	Yusan Hsiao
		CHKD:	Bruce Chen
		DRAW:	Sarachel Ma 6/29'20

**FIT** FOXCONN INTERCONNECT TECHNOLOGY LIMITED.

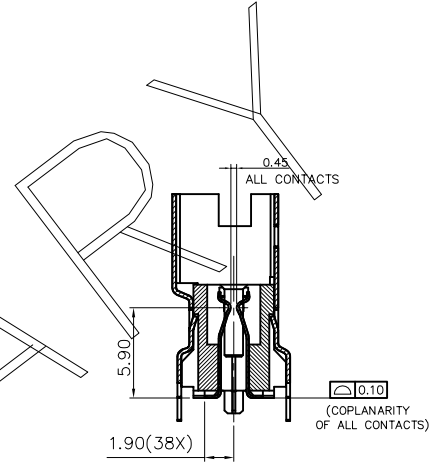
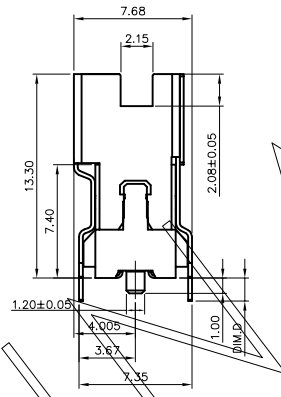
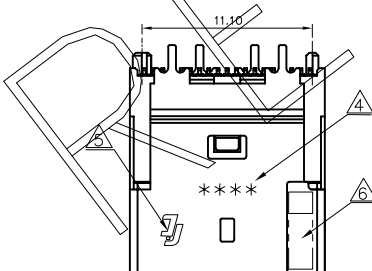
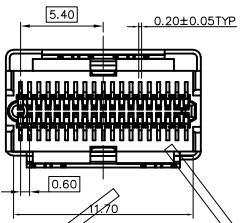
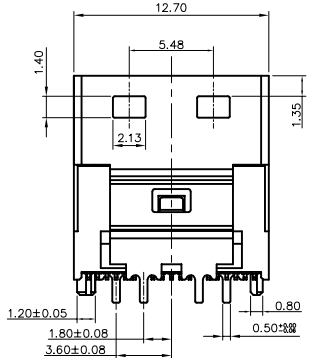
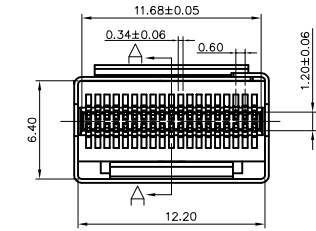
CLASS:  
 CONFIDENTIAL  SECRET  GENERAL

TITLE: CUSTOMER DRAWING

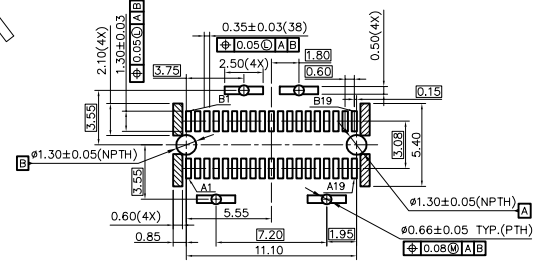
DWG NO.: 303-0000-3250

SCALE	SHEET	REV.
2:1	10/14	CX3

REV.	ECN. NO.	APPD.



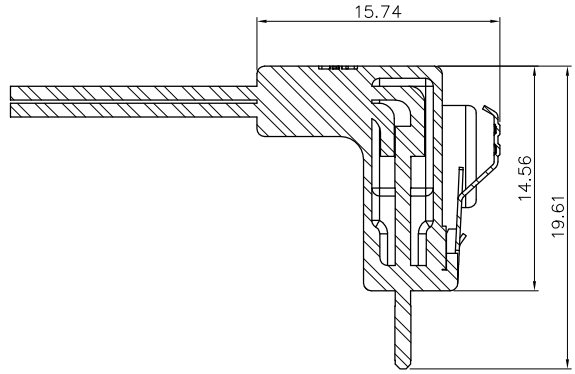
SECTION A-A  
SCALE 1:1



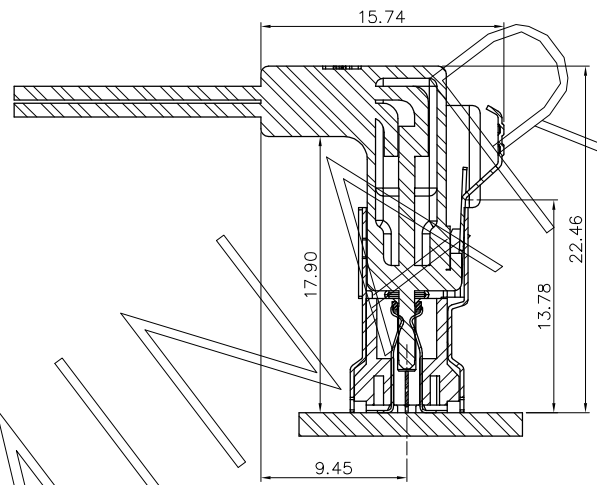
DIM.D 4.20	DIM.D 3.00	DIM.D 2.20	DIM.D 1.50
LDL238*-24E41-*H	LDL238*-24E31-*H	LDL238*-24E21-*H	LDL238*-24E11-*H

x.±	x.± 2°	UNITS	NAME(INTENDED USE)	FOXCONN INTERCONNECT TECHNOLOGY LIMITED.
.x± 0.20	.x°±	mm	8654 Conn.	
.xx± 0.15	.xx°±	MAT'L	PART NO.(INTENDED USE)	CLASS: <input type="checkbox"/> CONFIDENTIAL <input type="checkbox"/> SECRET <input checked="" type="checkbox"/> GENERAL
.xxx±0.10	.xxx°±	FINISH	APPD:	TITLE: CUSTOMER DRAWING
THESE DRAWINGS AND SPECIFICATIONS ARE THE PROPERTY OF FOXCONN INTERCONNECT TECHNOLOGY LIMITED, AND SHALL NOT BE REPRODUCED, COPIED OR USED IN ANY MANNER WITHOUT THE PRIOR WRITTEN CONSENT OF FOXCONN INTERCONNECT TECHNOLOGY LIMITED.			Yusan Hsiao	DWG NO.: 303-0000-3250
			Q'TY	CHKD: Bruce Chen
			DRAW: Sarachel Ma 6/29/20	2:1 11/14 CX3

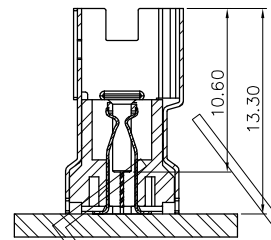
REV.	ECN. NO.	APPD.




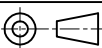
PLUG



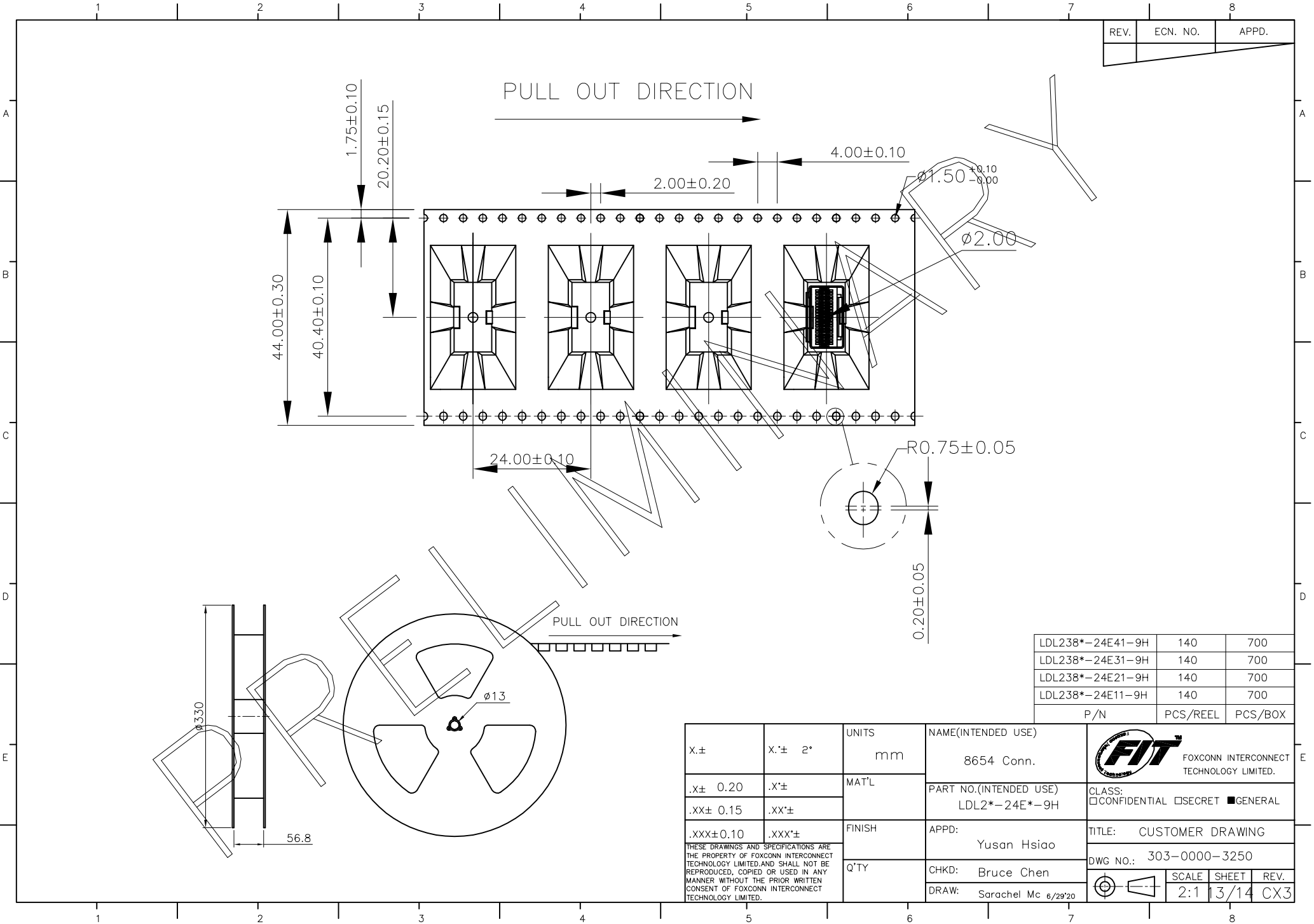
REC




DIM.A 4.20	DIM.A 3.00	DIM.A 2.20	DIM.A 1.50
LDL238*-24E41-*H	LDL238*-24E31-*H	LDL238*-24E21-*H	LDL238*-24E11-*H

X.±	X.± 2°	UNITS mm	NAME(INTENDED USE) 8654 Conn.	 FOXCONN INTERCONNECT TECHNOLOGY LIMITED.
.X± 0.20	.X±	MAT'L	PART NO.(INTENDED USE) LDL2*-24E*-9H	
.XX± 0.15	.XX±	FINISH	APPD: Yusan Hsiao	CLASS: <input type="checkbox"/> CONFIDENTIAL <input type="checkbox"/> SECRET <input checked="" type="checkbox"/> GENERAL
.XXX±0.10	.XXX±		Q'TY	CHKD: Bruce Chen
THESE DRAWINGS AND SPECIFICATIONS ARE THE PROPERTY OF FOXCONN INTERCONNECT TECHNOLOGY LIMITED AND SHALL NOT BE REPRODUCED, COPIED OR USED IN ANY MANNER WITHOUT THE PRIOR WRITTEN CONSENT OF FOXCONN INTERCONNECT TECHNOLOGY LIMITED.		DRAW: Sarachel Ma 6/29'20		DWG NO.: 303-0000-3250
				 SCALE SHEET REV. 2:1 12/14 CX3

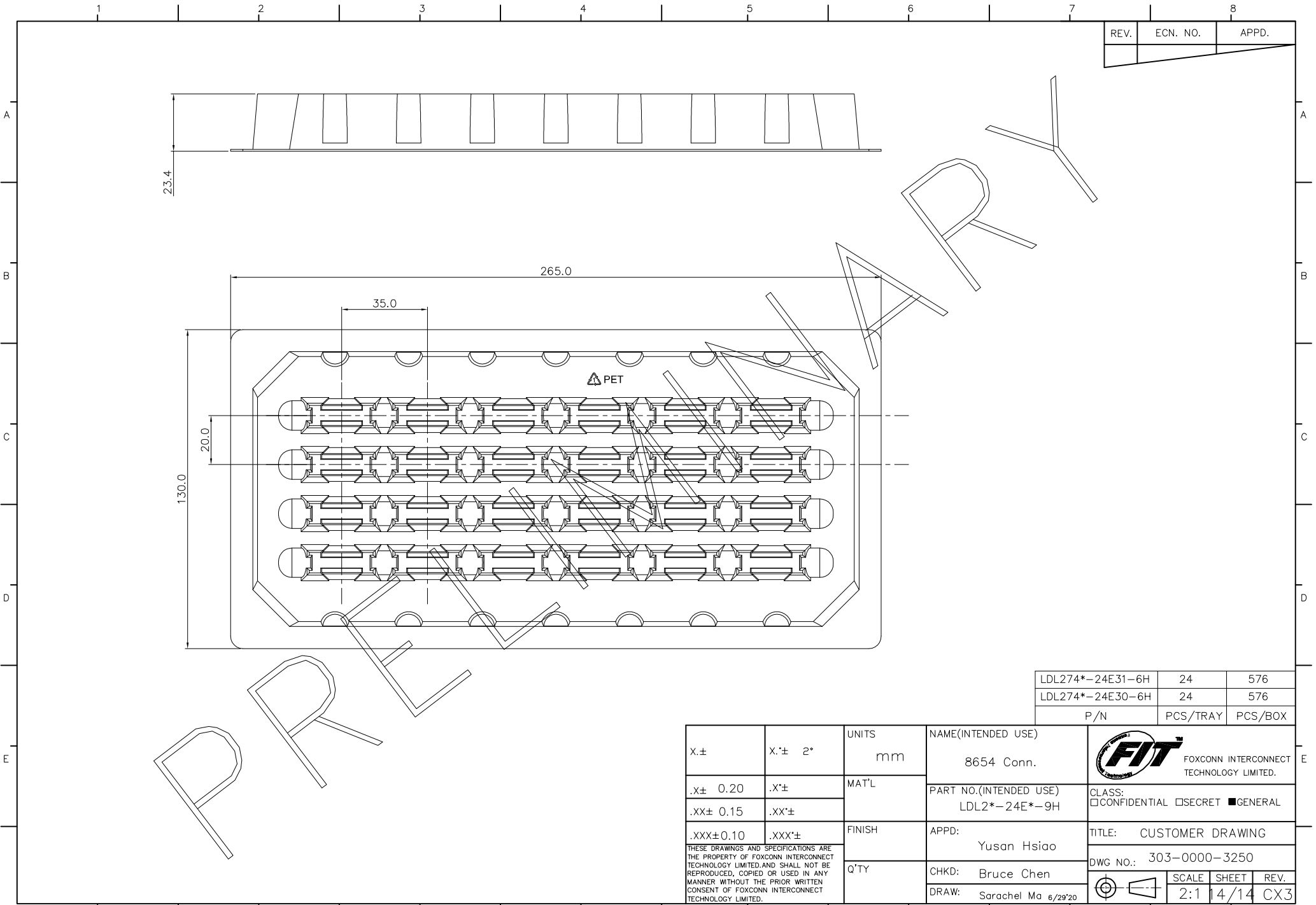
REV.	ECN. NO.	APPD.




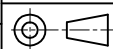
LDL238*-24E41-9H	140	700
LDL238*-24E31-9H	140	700
LDL238*-24E21-9H	140	700
LDL238*-24E11-9H	140	700
P/N	PCS/REEL	PCS/BOX

X.±	X.± 2°	UNITS mm	NAME(INTENDED USE) 8654 Conn.	 FOXCONN INTERCONNECT TECHNOLOGY LIMITED.
.X± 0.20	.X*±	MAT'L	PART NO.(INTENDED USE) LDL2*-24E*-9H	
.XX± 0.15	.XX*±	FINISH	APPD: Yusan Hsiao	TITLE: CUSTOMER DRAWING
.XXX±0.10	.XXX*±		Q'TY	CHKD: Bruce Chen
THESE DRAWINGS AND SPECIFICATIONS ARE THE PROPERTY OF FOXCONN INTERCONNECT TECHNOLOGY LIMITED AND SHALL NOT BE REPRODUCED, COPIED OR USED IN ANY MANNER WITHOUT THE PRIOR WRITTEN CONSENT OF FOXCONN INTERCONNECT TECHNOLOGY LIMITED.			DRAW: Sarachel Mc 6/29/20	SCALE SHEET REV. 2:1 13/14 CX3

REV.	ECN. NO.	APPD.



LDL274*-24E31-6H	24	576
LDL274*-24E30-6H	24	576
P/N	PCS/TRAY	PCS/BOX

X.±	X.± 2°	UNITS mm	NAME(INTENDED USE) 8654 Conn.	 FOXCONN INTERCONNECT TECHNOLOGY LIMITED.
.X± 0.20	.X*±	MAT'L	PART NO.(INTENDED USE) LDL2*-24E*-9H	
.XX± 0.15	.XX*±	FINISH	APPD: Yusan Hsiao	CLASS: <input type="checkbox"/> CONFIDENTIAL <input type="checkbox"/> SECRET <input checked="" type="checkbox"/> GENERAL
.XXX±0.10	.XXX*±		Q'TY	CHKD: Bruce Chen DRAW: Sarachel Ma 6/29/20
THESE DRAWINGS AND SPECIFICATIONS ARE THE PROPERTY OF FOXCONN INTERCONNECT TECHNOLOGY LIMITED, AND SHALL NOT BE REPRODUCED, COPIED OR USED IN ANY MANNER WITHOUT THE PRIOR WRITTEN CONSENT OF FOXCONN INTERCONNECT TECHNOLOGY LIMITED.				DWG NO.: 303-0000-3250
				 SCALE SHEET REV. 2:1 14/14 CX3