

PLEASE CHECK WWW.MOLEX.COM FOR LATEST PART INFORMATION

Part Number: [0563860000](#)
Status: **Active**
Description: HMC™ Rectangular Industrial Wire-to-Wire Bracket Cover, 36 Circuits, External Thread, PG29

Documents:

[Drawing \(PDF\)](#) [RoHS Certificate of Compliance \(PDF\)](#)
[Product Specification PS-58691-004 \(PDF\)](#)

General

Product Family	I/O Connectors
Series	56386
Application	Wire-to-Wire
Component Type	Wire-to-Wire Bracket Cover
Product Name	HMC™
Type	N/A

Physical

Circuits (Loaded)	N/A
Lock to Mating Part	Yes
Material - Plating Mating	n/a
Orientation	Vertical
Packaging Type	Bag
Panel Mount	N/A
Pitch - Mating Interface (in)	0.000 In
Pitch - Mating Interface (mm)	0.00 mm
Polarized to Mating Part	N/A
Temperature Range - Operating	-55°C to +125°C
Termination Interface: Style	N/A
Waterproof / Dustproof	Yes
Waterproof / Dustproof Type	IP65

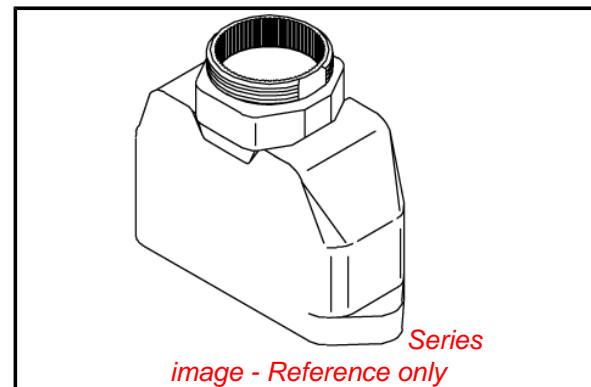
Electrical

Current - Maximum per Contact	N/A
Voltage - Maximum	250V

Material Info

Reference - Drawing Numbers

Product Specification	PS-58691-004, RPS-58691-004, RPS-58691-005
Sales Drawing	SD-56386-002



EU RoHS

ELV and RoHS Compliant
REACH SVHC
 Not Reviewed
Halogen-Free
Status
Not Reviewed

China RoHS



Need more information on product environmental compliance?

Email productcompliance@molex.com
 For a multiple part number RoHS Certificate of Compliance, [click here](#)

Please visit the [Contact Us](#) section for any non-product compliance questions.

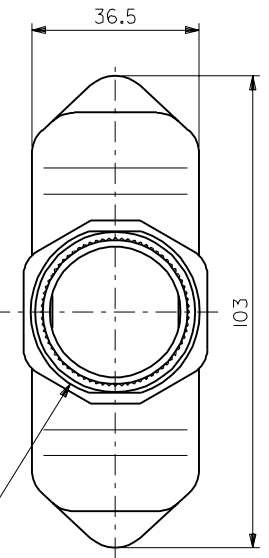
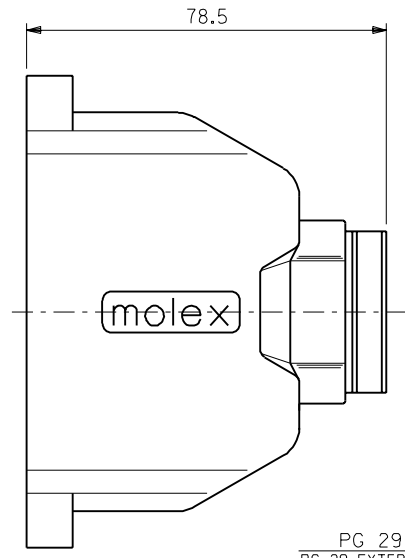
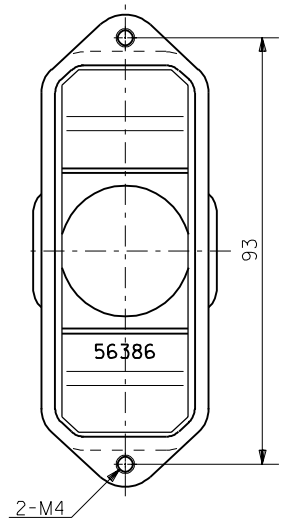
Search Parts in this Series

[56386Series](#)

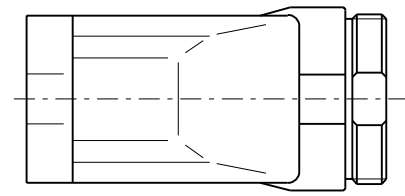
Use With

[58550](#) end bell cap assembly, [58691](#) panel-mount bracket

DWG. NO. SD-56386-002



PG 29 雄ネジ
PG 29 EXTERNAL THREAD



注)
NOTES

1. 適用リセプタクルシェルアッセンブリ : 58691-****
APPLICABLE RECEPTACLE SHELL ASS'Y : 58691-****
2. 適用エンドベルキャップセット : 58550-****
APPLICABLE END BELL CAP SET : 58550-****
3. 適用取り付けねじ (リセプタクルシェルアッセンブリ) : M4x8
APPLICABLE SCREW (RECEPTACLE SHELL ASS'Y) : M4x8

56386-0000	56386-0*00
MATERIAL No.	MODEL NO.

DO NOT SCALE DRAWING

EC NO. DRWN: CHK: APPR:	EC NO. DRWN: CHK: APPR:	EC NO. DRWN: CHK: APPR:	EC NO. DRWN: CHK: APPR:	O	REV	DESCRIPTION	MATERIAL 材料	#	GENERAL TOLERANCES: (UNLESS SPECIFIED) 一般公差	SCALE 1-1	DESIGN UNITS <input checked="" type="checkbox"/> mm <input type="checkbox"/> INCH	DIMENSIONS: <input type="checkbox"/> mm <input type="checkbox"/> INCH <input checked="" type="checkbox"/> mm ONLY	THIRD ANGLE PROJECTION	SHT	REV	
							FINISH 仕上り									#
RELEASED '01/01/22 EC NO. JD2001-0972 DRWN: S. AKIZAWA CHK: J. MIYAZAWA APPR: H. KESUGI							WIRE RANGE 適用線径範囲	#	10 OVER 以上	30 UNDER 未満	+0.25	CHECKED BY & DATE <i>M. Masuda</i> '01/01/22	APPROVED BY & DATE <i>H. Masuda</i> '01/01/22			
INS. RANGE 被覆外径							#	ANGLE 角度	+3°	CAD FILE NAME 56386002.S01		MATERIAL NO. SEE CHART		DRAWING NO. SD-56386-002		SHEET NO. 1 OF 1
THIS DRAWING CONTAINS INFORMATION THAT IS PROPRIETARY TO MOLEX INCORPORATED AND SHOULD NOT BE USED WITHOUT WRITTEN PERMISSION.														SIZE B		