

RL-7485-1

SHIELDED SMD POWER INDUCTORS

DESCRIPTION

- Shielded SMD Power Inductor

ENVIRONMENTAL DATA

- Storage temperature range: -55°C to +130°C
- Operating temperature range: -40°C to +130°C

PACKAGING INFORMATION

- Packaging information: pg. 490

FEATURES & APPLICATIONS

- Magnetically shielded
- High inductance/high current power inductor
- Ideal for use in a variety of DC-DC converter inductor applications

Verify operation with sample in actual circuit. Order samples at www.rencousa.com.

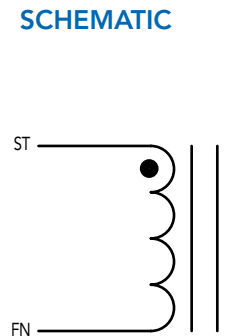
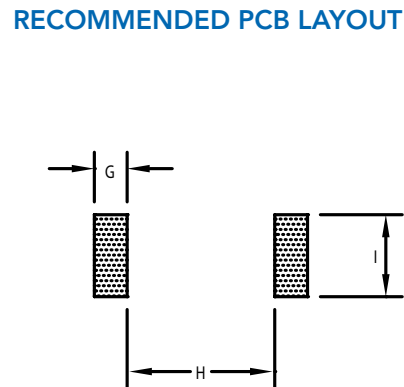
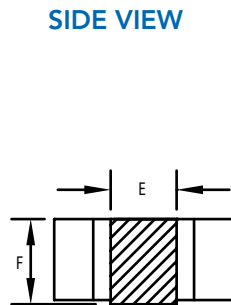
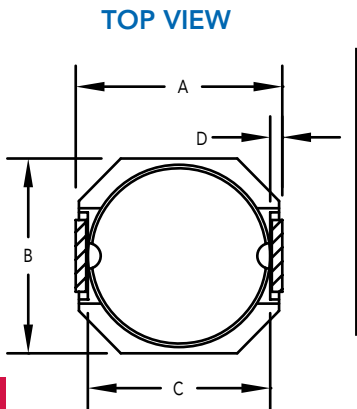
MECHANICAL DIMENSIONS

U.S. Standard (mm)

PART NUMBER	A (MAX.)	B (MAX.)	C	D	E	F (MAX.)
RL-7485-1	0.26 (6.60)	0.24 (6.20)	0.19 (4.80)	0.02 (0.60)	0.08 (2.00)	0.14 (3.50)

PART NUMBER	PART WEIGHT
RL-7485-1	0.43g (0.02oz)

G (REF.)	H (REF.)	I (REF.)
0.04 (1.00)	0.18 (4.60)	0.10 (2.60)



RL-7485-1

Renco Part No. RL-7485-1	Inductance (μ H)	DCR Max. (Ohms)	Isat (A)	Irms (A)
RL-7485-1-2R0M	2.0 \pm 20%	0.0191	2.99	3.30
RL-7485-1-2R7M	2.7 \pm 20%	0.0220	2.69	3.12
RL-7485-1-3R3M	3.3 \pm 20%	0.0257	2.57	2.81
RL-7485-1-4R7M	4.7 \pm 20%	0.0316	2.08	2.51
RL-7485-1-6R2M	6.2 \pm 20%	0.0350	1.83	2.41
RL-7485-1-8R2M	8.2 \pm 20%	0.0435	1.54	2.11
RL-7485-1-100M	10.0 \pm 20%	0.0494	1.49	1.97
RL-7485-1-120M	12.0 \pm 20%	0.0620	1.28	1.73
RL-7485-1-150M	15.0 \pm 20%	0.0770	1.10	1.54
RL-7485-1-180M	18.0 \pm 20%	0.0815	1.04	1.52
RL-7485-1-220M	22.0 \pm 20%	0.1060	0.96	1.29
RL-7485-1-270M	27.0 \pm 20%	0.1400	0.82	1.10
RL-7485-1-330M	33.0 \pm 20%	0.1620	0.75	1.02
RL-7485-1-390M	39.0 \pm 20%	0.1920	0.70	0.96
RL-7485-1-470M	47.0 \pm 20%	0.2090	0.67	0.89
RL-7485-1-560M	56.0 \pm 20%	0.2570	0.60	0.80
RL-7485-1-680M	68.0 \pm 20%	0.3200	0.55	0.71
RL-7485-1-820M	82.0 \pm 20%	0.4200	0.46	0.61
RL-7485-1-101M	100.0 \pm 20%	0.4770	0.44	0.57
RL-7485-1-151M	150.0 \pm 20%	0.6440	0.36	0.48

NOTES:

1. Isat - DC CURRENT THAT WILL CAUSE INDUCTANCE TO DROP BY 30%
2. Irms - CURRENT THAT CAUSES THE TEMPERATURE TO RISE APPROX. 40°C ABOVE AMBIENT OF 25°C
3. ELECTRICAL SPECIFICATIONS MEASURED AT 25°C
4. INDUCTANCE TESTED AT 100 kHz, 1.0 Vrms



RENCO ELECTRONICS INC.

595 International Place, Rockledge, FL 32955-4200 USA • www.rencousa.com • ISO 9001 Certified
Toll Free Engineering Hot Line: 800.645.5828 • P: 321.637.1000 • F: 321.637.1600

