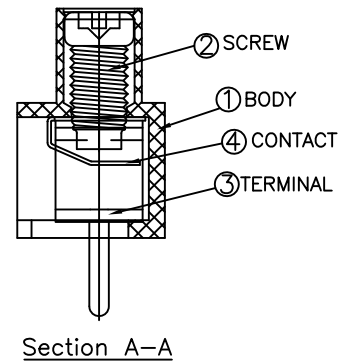
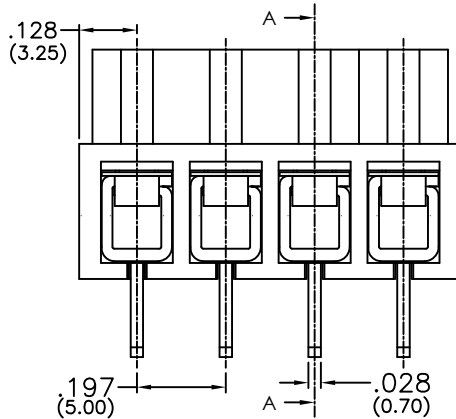
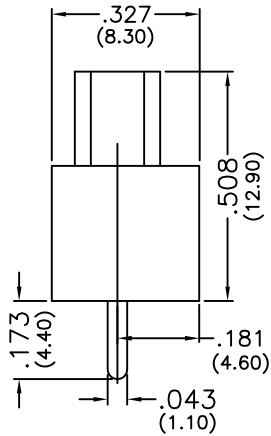
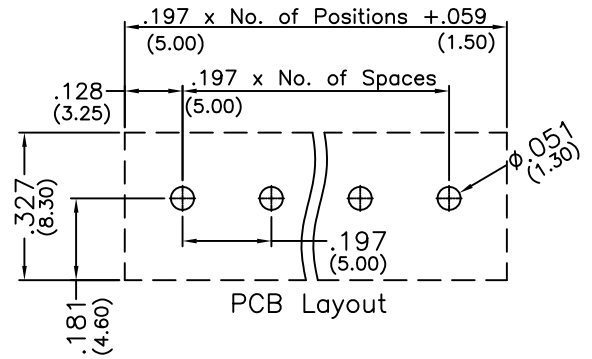
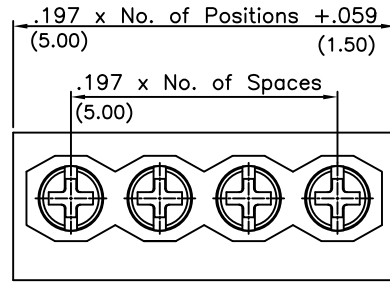


Major League Electronics .197 cl Wire Protector Terminal Blocks



Ordering Information

TBW-06-197-XX-XX-LF

Lead Free

Pitch
197 = .197 (5.00) cl

No. of Positions
02 - 24

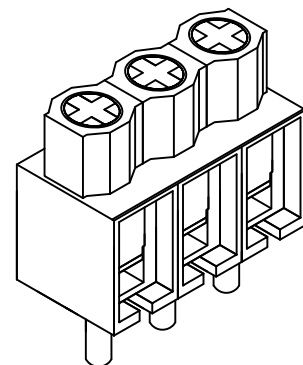
Color
GR = Green (Standard)
BK = Black
BL = Blue
WH = White
GY = Grey
OR = Orange
YW = Yellow
RD = Red
BR = Brown

Specifications

Current Rating: 10 Ampere
Voltage Rating: AC 250V
Wire Range: 12-18 AWG
Dielectric Withstanding Voltage: AC 2500V/1 minute
Insulation Resistance: DC 500V 500MΩ
Operating Temperature: -33°C to + 105°C
Max Torque: 3.47 lb-in (4.0kgf. cm)
Strip Length: .177-.197 (4.5-5mm)

Materials

1. Body: PA66 (Nylon), UL94 V-0
2. Screw: M3.0*0.5, C1018 Steel, Zinc Plated
3. Terminal: H62 Brass, Tin Plated
4. Contact: SUS301 Stainless Steel



Parts are subject to change without notice

TBW-06-197-XX-XX-LF

.197cl Wire Protector Terminal Block
Non-Interlock

04 DEC 08

Scale
NTS

UNLESS OTHERWISE SPECIFIED
DIMENSIONS IN INCHES (MM)
TOLERANCES IN INCHES:

ONE DECIMAL PLACE ±0.30
TWO DECIMAL PLACE ±0.20
THREE DECIMAL PLACE ±0.15
FOUR DECIMAL PLACE ±0.10

Major League
ELECTRONICS

4235 Earnings Way, New Albany, Indiana, 47150, USA
1-800-782-3486 (USA/Canada/Mexico)
Tel: 812-944-7244
Fax: 812-944-7268
E-mail: mle@mlelectronics.com
Web: www.mlelectronics.com

Revision
B

Sheet
1/2

Revisions

Revision B - (23rd Mar 2010)

Side view added

TBW-06-197-XX-XX-LF

.197cl Wire Protector Terminal Block
Non-Interlock

04 DEC 08

Scale
NTS

UNLESS OTHERWISE SPECIFIED
DIMENSIONS IN INCHES (MM)
TOLERANCES IN INCHES:

ONE DECIMAL PLACE ±0.30
TWO DECIMAL PLACE ±0.20
THREE DECIMAL PLACE ±0.15
FOUR DECIMAL PLACE ±0.10



4235 Earnings Way, New Albany, Indiana, 47150, USA
1-800-782-3486 (USA/Canada/Mexico)
Tel: 812-944-7244
Fax: 812-944-7268
E-mail: mle@mlelectronics.com
Web: www.mlelectronics.com

Revision
B

Sheet
2/2