

DESCRIPTION

The SM10KWxxA Series are high-powered surface mount transient voltage suppression components designed to protect equipment and systems from the damaging effects of high voltage spikes. The DFN-2-KW surface mount package configuration provides a lower profile at a reduce cost.

These devices provide 60 kilowatts of peak pulse power dissipation for an 8/20 μ s waveform. Applications include relay drive protection module and secondary lightning protection.

FEATURES

- RTCA DO-160G COMPLIANT PRODUCT
- IEC Compatibility 61000-4-5 (Surge): 48A, 8/20 μ s - L3(Line-Ground), L4(Line-Line) & L1 (Power)
- 60 kilowatts Peak Pulse Power per Line (tp = 8/20 μ s)
- 8.5 kilowatts Peak Pulse Power per Line (tp = 10/1000 μ s)
- Unidirectional Configuration
- Easy Mounting to Printed Circuit Board
- RoHS Compliant
- REACH Compliant

MECHANICAL CHARACTERISTICS

- Molded DFN-2-KW
- Approximate Weight: 2.5 grams
- Lead-Free Silver Plating
- Solder Reflow Temperature: 260-270°C
- Flammability Rating UL 94V-0

APPLICATIONS

- Relay Drives
- Motor (Start/Stop) Back EMF Protection
- Module Lightning Protection
- Secondary Lightning Protection

APPLICATION



TYPICAL DEVICE CHARACTERISTICS

RTCA DO-160G COMPLIANT PRODUCT

MAXIMUM RATINGS @ 25°C Unless Otherwise Specified

PARAMETER	SYMBOL	VALUE	UNITS
Peak Pulse Power ($t_p = 8/20\mu s$) - See Figure 1	P_{PP}	60	kilowatts
Peak Pulse Power ($t_p = 10/1000\mu s$) - See Figure 1	P_{PP}	8.5	kilowatts
Storage Temperature	T_{STG}	-55 to +150	°C
Operating Temperature	T_L	-55 to +150	°C

ELECTRICAL CHARACTERISTICS PER LINE @ 25°C Unless Otherwise Specified

PART NUMBER	MARKING CODE	RATED STAND-OFF VOLTAGE V_{WM} VOLTS	MINIMUM BREAKDOWN VOLTAGE		MAXIMUM LEAKAGE CURRENT @ V_{WM} I_D μA	MAXIMUM CLAMPING VOLTAGE (Fig. 2) @ 8/20 μs V_C @ I_{PP}
			MIN $V_{(BR)}$ VOLTS	@ I_T mA		
SM10KW10A	10U10	10	11.1	5	15	20.0V @ 3000A
SM10KW12A	10U12	12	13.4	5	8	24.0V @ 2500A
SM10KW22A	10U22	22	24.4	5	8	40.2V @ 1492A
SM10KW24A	10U24	24	26.8	5	8	48.3V @ 1242A
SM10KW28A	10U28	28	31.2	5	8	56.1V @ 1069A
SM10KW30A	10U30	30	33.5	5	8	60.3V @ 995A
SM10KW33A	10U33	33	36.8	5	8	66.0 @ 909A
SM10KW36A	10U36	36	40.0	5	8	72.3V @ 829A

FIGURE 1
PEAK PULSE POWER VS PULSE TIME

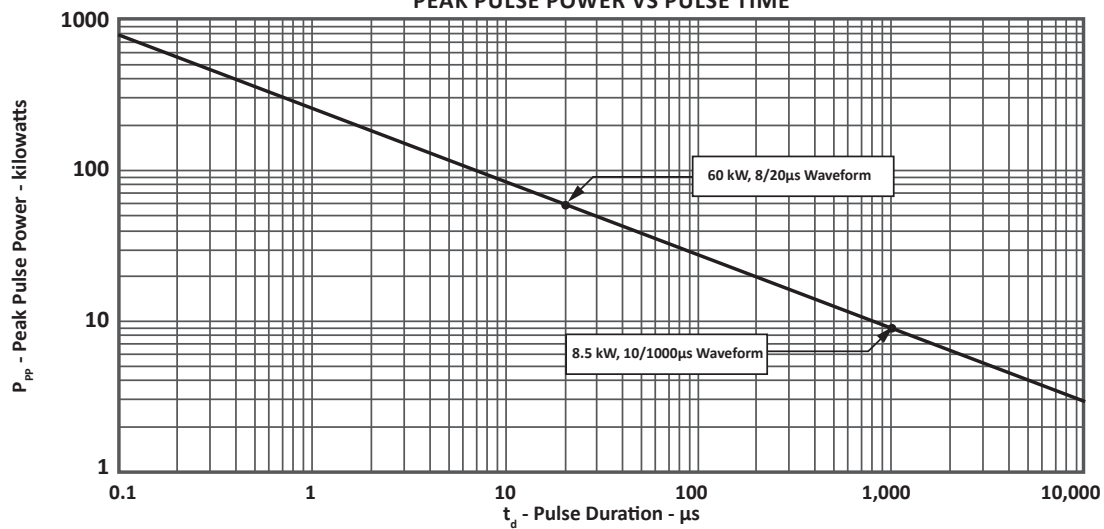


FIGURE 2
PULSE WAVE FORM

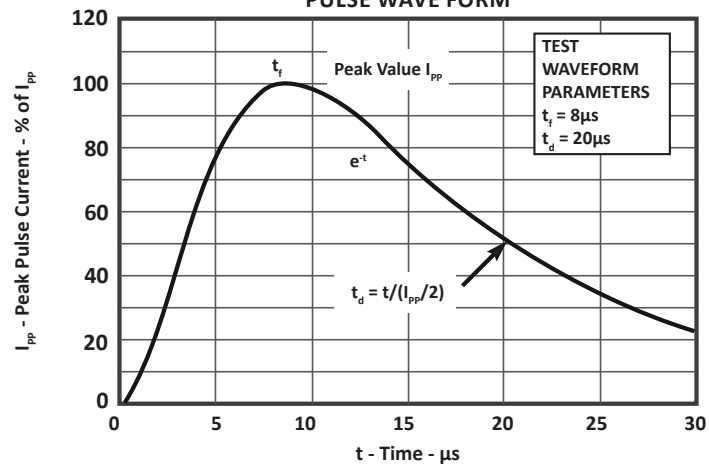
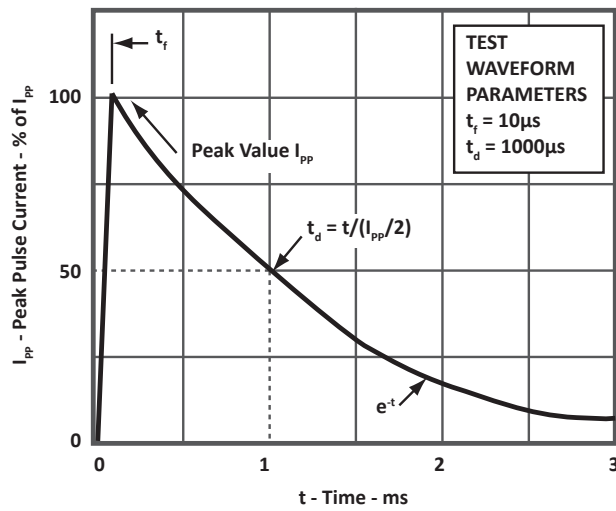


FIGURE 3
PULSE WAVEFORM



DFN-2-5KW PACKAGE INFORMATION

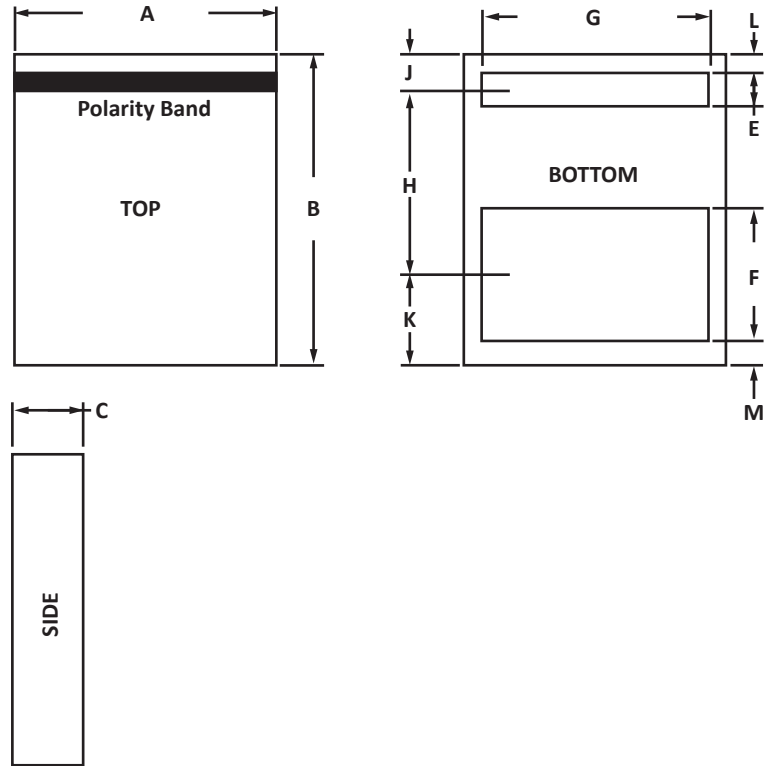
RTCA DO-160G COMPLIANT PRODUCT

OUTLINE DIMENSIONS

DIM	MILLIMETERS		INCHES	
	MIN	MAX	MIN	MAX
A	6.53	6.68	0.257	0.263
B	7.54	7.70	0.297	0.303
C	1.32	1.48	0.052	0.058
E	0.69	0.84	0.027	0.033
F	3.05	3.30	0.120	0.130
G	5.08	5.33	0.200	0.210
H	4.70	4.88	0.185	0.192
J	0.72	0.80	0.028	0.032
K	2.00	2.10	0.079	0.083
L	0.33	0.43	0.013	0.017
M	0.45	0.55	0.018	0.022

NOTES

1. Dimensioning and tolerances per ANSI Y14.M, 1985.
2. Controlling dimension: millimeters.
3. Dimensions are exclusive of mold flash and metal burrs.

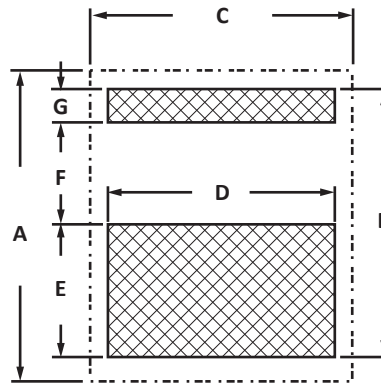


PAD LAYOUT

DIM	MILLIMETERS	INCHES
	NOMINAL	NOMINAL
A	7.62	0.300
B	6.99	0.275
C	6.60	0.260
D	5.33	0.210
E	3.35	0.132
F	2.62	0.103
G	1.02	0.040

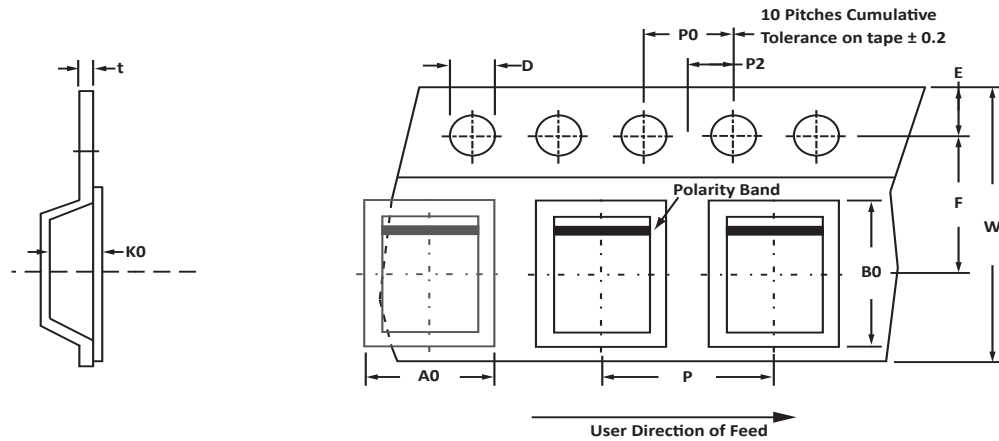
NOTES

1. Controlling dimension: millimeters.



TAPE AND REEL

RTCA DO-160G COMPLIANT PRODUCT



SPECIFICATIONS

REEL DIA.	TAPE WIDTH	A0	B0	K0	D	E	F	W	P0	P2	P	t _{max}
330mm (13")	16mm	6.98 ± 0.10	8.00 ± 0.10	1.66 ± 0.10	1.50 ± 0.10	1.75 ± 0.10	3.50 ± 0.05	16.00 ± 0.30	4.00 ± 0.10	2.00 ± 0.05	8.00 ± 0.10	0.25

NOTES

- Dimensions are in millimeters.
- Surface mount product is taped and reeled in accordance with EIA-481.
- Suffix - T13 = 13" Reel - 2,500 pieces per 16mm tape.
- Marking on Part - marking code (see page 2), date code, logo and polarity band.

ORDERING INFORMATION

BASE PART NUMBER (xx = Voltage)	LEADFREE SUFFIX	TAPE SUFFIX	QTY/REEL	REEL SIZE	TUBE QTY
SM10KWxxA	n/a	-T13	2,500	13"	n/a

This device is only available in a Lead-Free configuration.

COMPANY INFORMATION**RTCA DO-160G COMPLIANT PRODUCT****COMPANY PROFILE**

In business more than 20 years, ProTek Devices™ is a privately held semiconductor company. The company offers a product line of overvoltage protection and overcurrent protection components. These include transient voltage suppressor array (TVS arrays) avalanche breakdown diode, steering diode TVS array and electronics SMD chip fuses. These components deliver circuit protection in electronic systems from numerous overvoltage and overcurrent events. They include lightning; electrostatic discharge (ESD); nuclear electromagnetic pulses (NEMP); inductive switching; and electromagnetic interference (EMI) / radio frequency interference (RFI). ProTek Devices also offers high performance interface and linear products. They include analog switches; multiplexers; LED drivers; LED wafer die for ESD protection; audio control ICs; RF and related high frequency products.

CONTACT US**Corporate Headquarters**

2929 South Fair Lane
Tempe, Arizona 85282
USA

By Telephone

General: 602-431-8101
Sales: & Marketing: 602-414-5109
Customer Service: 602-414-5114
Product Technical Support: 602-414-5107

By Fax

General: 602-431-2288

By E-mail:

Asia Sales: asiasales@protekdevices.com
Europe Sales: europesales@protekdevices.com
U.S. Sales: ussales@protekdevices.com
Distributor Sales: distysales@protekdevices.com
Customer Service: service@protekdevices.com
Technical Support: support@protekdevices.com

ProTek Devices (Asia Pacific) Pte. Ltd.

8 Ubi Road 2, #06-19
Zervex
Singapore - 408538
Tel: +65-67488312
Fax: +65-67488313

Web

www.protekdevices.com

COPYRIGHT © ProTek Devices 2014 - This literature is subject to all applicable copyright laws and is not for resale in any manner.

SPECIFICATIONS: ProTek reserves the right to change the electrical and or mechanical characteristics described herein without notice.

DESIGN CHANGES: ProTek reserves the right to discontinue product lines without notice and that the final judgement concerning selection and specifications is the buyer's and that in furnishing engineering and technical assistance. ProTek assumes no responsibility with respect to the selection or specifications of such products. ProTek makes no warranty, representation or guarantee regarding the suitability of its products for any particular purpose, nor does ProTek assume any liability arising out of the application or use of any product or circuit and specifically disclaims any and all liability without limitation special, consequential or incidental damages.

LIFE SUPPORT POLICY: ProTek Devices products are not authorized for use in life support systems without written consent from the factory.