

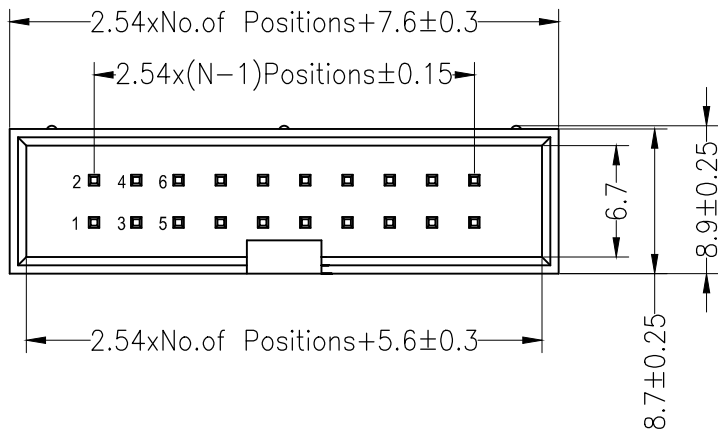
RoHS

SPECIFICATIONS

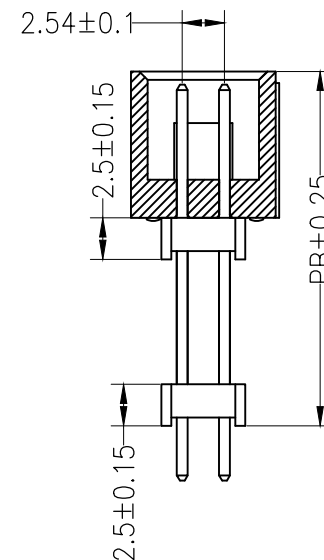
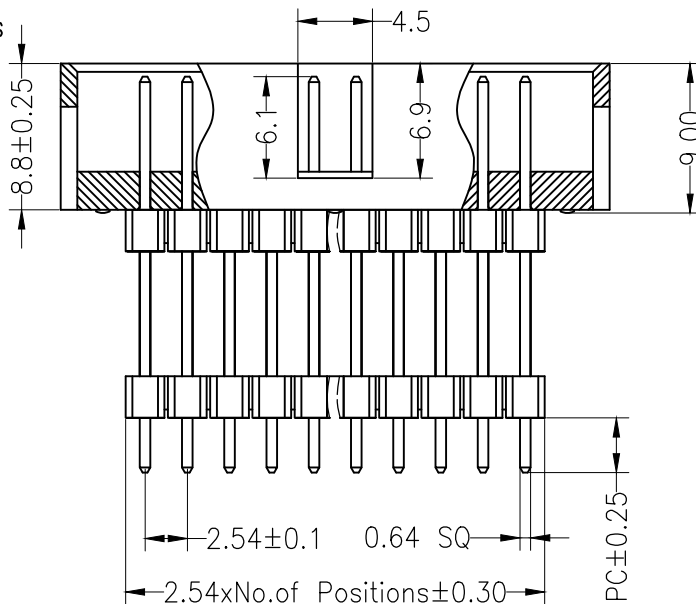
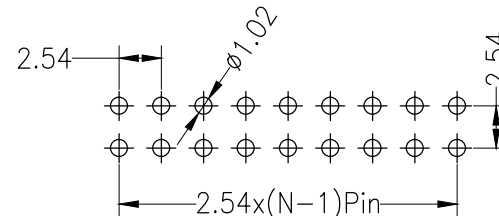
Rated Current:3.0AMP  
 Contact Resistance:20mΩ Max  
 Withstand Voltage:1000V AC/DC  
 Insulation Resistance:1000MΩ Min  
 Operation Temperature:-40°c to +105°c

Contact Material:Brass  
 Contact Plating:Au Over Ni  
 Insulator Material:Polyester(UL94V-0)

Standard: PA6T  
 Max.Processing Temp: 230°C for 30-60 seconds  
 (260°C for 10 seconds)



Recommended P.C.B Layout(Top Side)  
 (PCB BOARD TOLERANCE±0.05)



Dimension antitheses list		
ITEM	PC	PB
Alternate	3.00	22.5

				OPERATION		DRAW		SCALE	FIT	深圳市连盛精密连接器有限公司		
				X.X	±0.30			UNIT	mm			
				X.XX	±0.20	CHECK		SIZE	A4	PART NO.		BH-00209
				X.XXX	±0.10			SHEET	1/1	TITLE:		
A0	2012.10.05	NEW DRAWING		Angle	±3'	APPROVE		PROJ.				
REV	DATE	MODIFICATION DESCRIPTION		CHANGE	DIM	TOL						