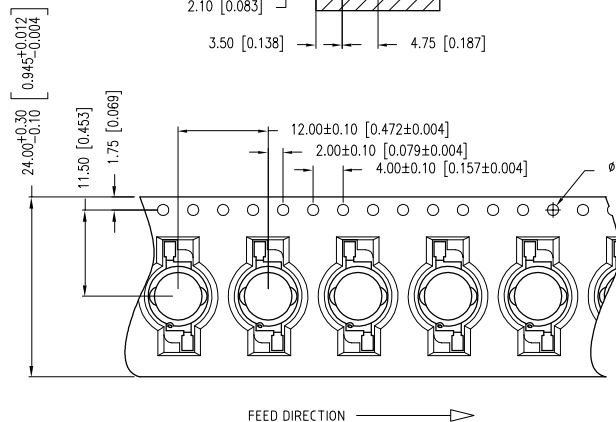
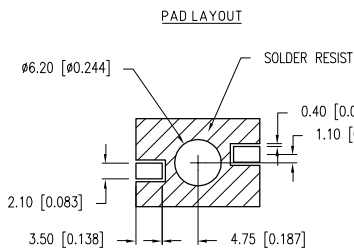
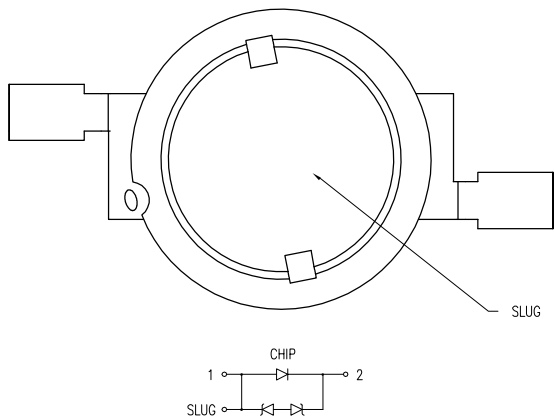
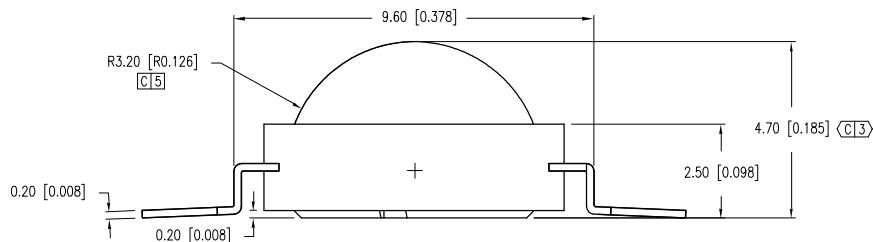
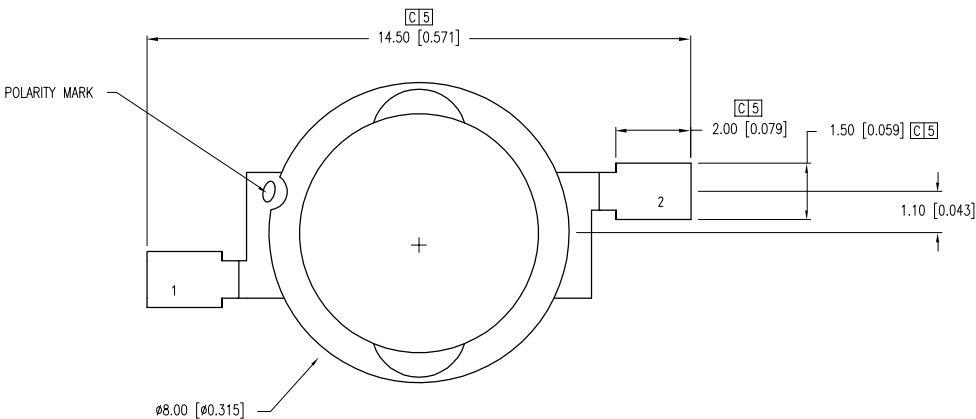


|             |                                     |      |  |
|-------------|-------------------------------------|------|--|
| PART NUMBER | SML-LXL8047UWC-TR3                  | REV. |  |
| DATE        | E.C.N. NUMBER AND REVISION COMMENTS | REV. |  |
| 06.15.10    | E.C.N. #: 11647 & REDRAWN           | A    |  |



ELECTRO-OPTICAL CHARACTERISTICS  $T_A=25^{\circ}\text{C}$   $I_f=700\text{mA}$

| PARAMETER          | MIN         | TYP  | MAX  | UNITS      | TEST COND              |
|--------------------|-------------|------|------|------------|------------------------|
| PEAK WAVELENGTH    |             |      |      | nm         |                        |
| FORWARD VOLTAGE    |             | 4.6  | 5.2  | $V_f$      | $I_f = 700\text{mA}$   |
| REVERSE VOLTAGE    | 5.0         |      |      | $V_r$      | $I_r = 100\mu\text{A}$ |
| AXIAL INTENSITY    | 120         | 160  | 210  | lm         | $I_f = 700\text{mA}$   |
| COLOR TEMP         | 5310        | 6000 | 7040 | K          |                        |
| VIEWING ANGLE      |             | 100  |      | $2x$ theta |                        |
| EMITTED COLOR:     | WHITE       |      |      |            |                        |
| EPOXY LENS FINISH: | WATER CLEAR |      |      |            |                        |

LIMITS OF SAFE OPERATION AT  $25^{\circ}\text{C}$

| PARAMETER                        | MAX         | UNITS                        |
|----------------------------------|-------------|------------------------------|
| PEAK FORWARD CURRENT*            | 1000        | mA                           |
| STEADY CURRENT                   | 700         | mA                           |
| LED JUNCTION TEMPERATURE         | 130         | $^{\circ}\text{C}$           |
| DERATE FROM $25^{\circ}\text{C}$ | -1.2        | $\text{mW}/^{\circ}\text{C}$ |
| OPERATING, STORAGE TEMP.         | -40 TO +100 | $^{\circ}\text{C}$           |

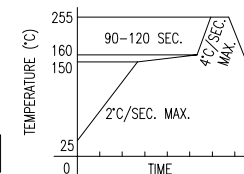
\*  $t < 10\mu\text{s}$

- [A] NOTE:
- WE RECOMMEND THAT THE DEVICES MUST BE BAKED BEFORE SOLDERING IF THEY ARE REMOVED FROM THE ORIGINAL PACKAGE, AND ARE EXPOSED TO ENVIRONMENTAL CONDITIONS FOR LONGER THAN THE DURATIONS (UNIT: DAYS) DEFINED IN THE TABLE BELOW.
  - RECOMMENDED BAKING CONDITIONS ARE 24 HOURS AT  $80^{\circ}\text{C}$

[A] TABLE

| TEMPERATURE          | MAXIMUM PERCENT RELATIVE HUMIDITY |     |     |     |     |     |     |
|----------------------|-----------------------------------|-----|-----|-----|-----|-----|-----|
|                      | 30%                               | 40% | 50% | 60% | 70% | 80% | 90% |
| $30^{\circ}\text{C}$ | 9                                 | 5   | 4   | 3   | 1   | 1   | 1   |
| $25^{\circ}\text{C}$ | 12                                | 7   | 5   | 4   | 2   | 1   | 1   |
| $20^{\circ}\text{C}$ | 17                                | 9   | 7   | 6   | 2   | 2   | 1   |

LEAD FREE REFLOW PROFILE  
10 SEC. MAX.



TOTAL TIME ABOVE  $220^{\circ}\text{C}$  IS 60 SECONDS MAX.

CAUTION: MOISTURE SENSITIVE DEVICE  
PER JEDEC LEVEL 3 STANDARDS

CAUTION: STATIC SENSITIVE DEVICE  
FOLLOW PROPER E.S.D. HANDLING PROCEDURES  
WHEN WORKING WITH THIS PART.

5.38±0.10 [0.212±0.004]  
0.356±0.02 [0.014±0.001]

\*UNLESS OTHERWISE SPECIFIED TOLERANCES PER DECIMAL PRECISION ARE: X=±1 (±0.039), X.X=±0.5 (±0.020), X.XX=±0.25 (±0.010), X.XXX=±0.127 (±0.005). LEAD SIZE=±0.05 (±0.002), LEAD LENGTH=±0.75 (±0.030). MIN.= +DECIMAL PRECISION -0.00, MAX.= +0.00 -DECIMAL PRECISION



290 E. HELEN ROAD  
PALATINE, IL 60067-6976  
PHONE: +1.847.359.2790  
FAX: +1.847.359.6538  
WEB: WWW.LUMEX.COM

8mm ROUND TOP DOME SMT HI POWER LED COOL WHITE 3W.

\*\*THE SPECIFICATIONS MAY CHANGE AT ANY TIME WITHOUT NOTICE DUE TO NEW MATERIALS OR PRODUCT IMPROVEMENT.\*\*

CONFIDENTIAL INFORMATION  
THE INFORMATION CONTAINED IN THIS DOCUMENT IS THE PROPERTY OF LUMEX INC. EXCEPT AS SPECIFICALLY AUTHORIZED IN WRITING BY LUMEX INC., THE HOLDER OF THIS DOCUMENT SHALL KEEP ALL INFORMATION CONTAINED HEREIN CONFIDENTIAL AND SHALL PROTECT SAME IN WHOLE OR IN PART FROM DISCLOSURE AND DISSEMINATION TO ALL THIRD PARTIES.

|        |           |           |    |
|--------|-----------|-----------|----|
| DATE:  | 03.12.10  | DRAWN BY: | JN |
| PAGE:  | 1 OF 1    | CHKD BY:  | SS |
| SCALE: | N/A       | APRVD BY: | KF |
| UNIT:  | mm [INCH] |           |    |