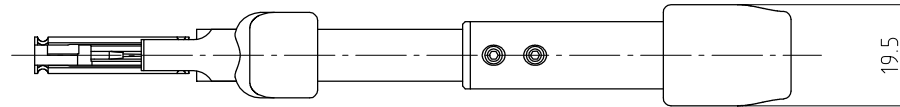
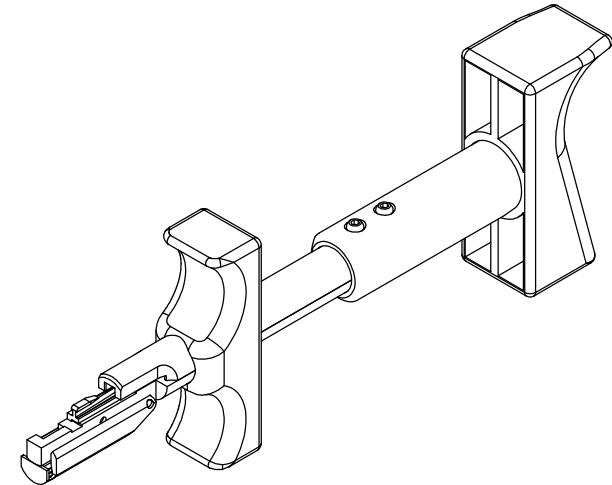
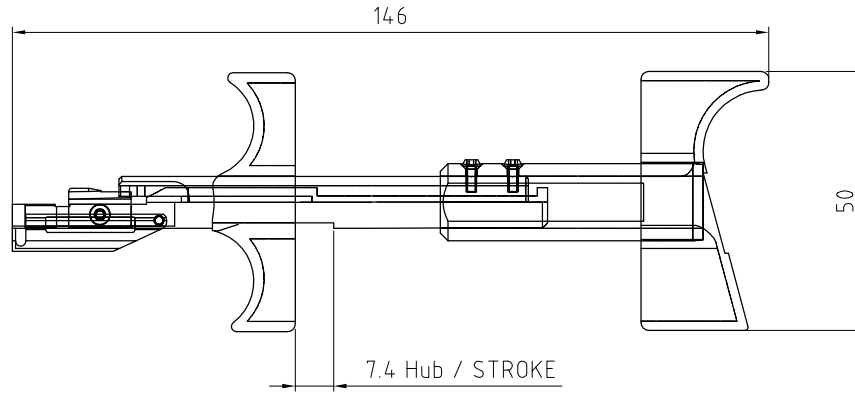


THIS DRAWING IS UNPUBLISHED.

RELEASED FOR PUBLICATION

© COPYRIGHT - BY TYCO ELECTRONICS CORPORATION. ALL INTERNATIONAL RIGHTS RESERVED.


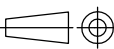
LDC		DIST		REVISIONS			
P	LTR	DESCRIPTION		DATE	DWN	APVD	
	E	ECR-11-017476		23AUG11	MS	TW	



Mandrels: 654633-1 AWG24/20

Customer manual: 411-18509

Mandrels müssen separat bestellt werden.  
Mandrels have to be ordered separately.

THIS DRAWING IS A CONTROLLED DOCUMENT.		DWN M.Strecker	23AUG11	 TE Connectivity	
DIMENSIONS: mm		CHK T.Weissgerber	23AUG11		
TOLERANCES UNLESS OTHERWISE SPECIFIED:		APVD T.Weissgerber	23AUG11	NAME	
0 PLC ± - 1 PLC ± - 2 PLC ± - 3 PLC ± - 4 PLC ± - ANGLES ± -		PRODUCT SPEC		SERVICE TOOL MAXI TERMI POINT	
		APPLICATION SPEC		Service Tool Maxi Termi Point	
MATERIAL		WEIGHT		SIZE	RESTRICTED TO
FINISH		CUSTOMER DRAWING		A3	—
		SCALE 1:1		CAGE CODE 00779	DRAWING NO G=654632-1
		SHEET 1 OF 1		REV E	