

# KR Electronics

## General Description

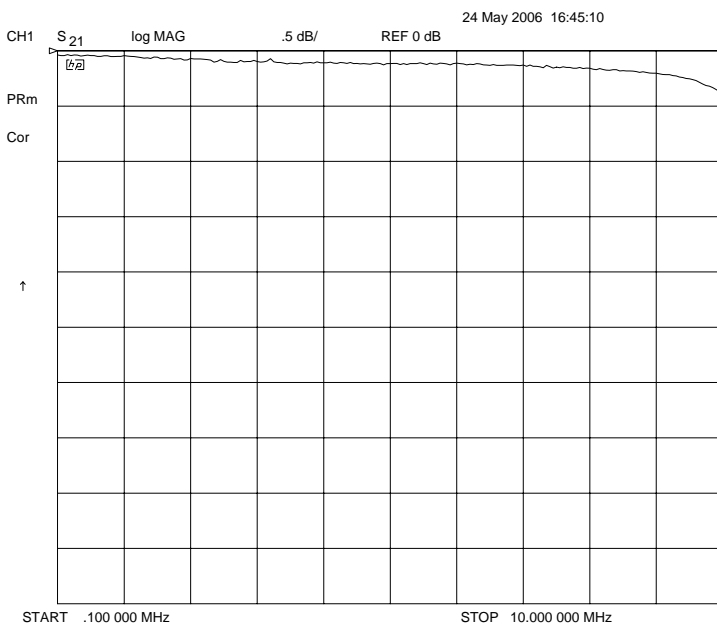
KR 2695 is a 9.4 MHz surface mount lowpass filter. Other frequencies are available. Please consult the factory.

### Features

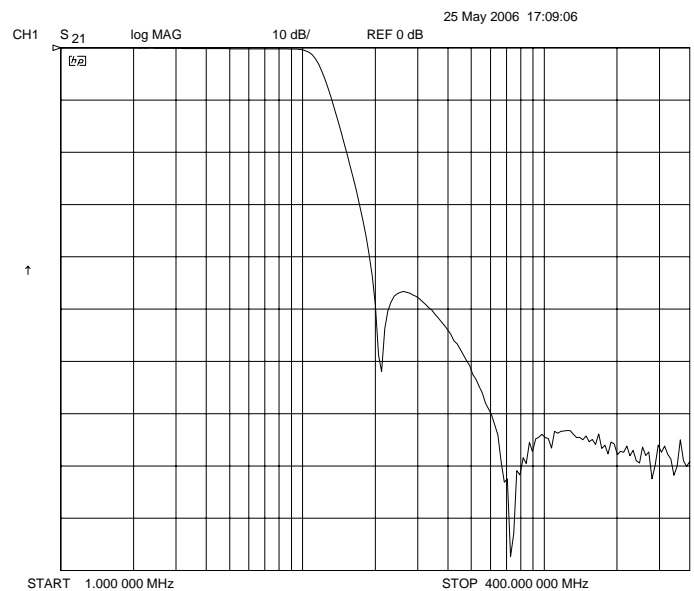
- 9.4 MHz Cutoff Frequency
- High Stopband Rejection
- Surface Mount Package
- 50  $\Omega$  Source and Load

## Typical Performance

**Passband Amplitude**  
(0.5 dB/div)



**Overall Response**  
(10 dB/div)



KR Electronics, Inc.  
91 Avenel Street  
Avenel, NJ 07001

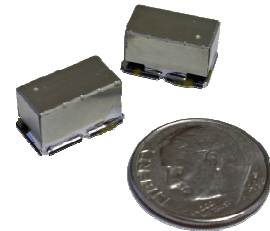
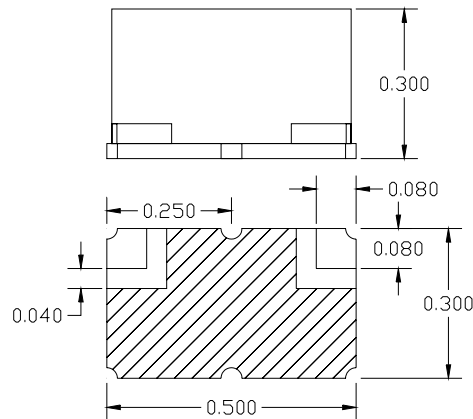
Web [www.krfilters.com](http://www.krfilters.com)  
Email [sales@krfilters.com](mailto:sales@krfilters.com)  
Phone (732) 636-1900  
Fax (732) 636-1982

## KR Electronics 2695 Lowpass

### Specifications

Parameter	Specification	Typical
Filter type	Lowpass	
Attenuation to 9.4 MHz	< 1 dB	
Attenuation 20 MHz to 500 MHz	> 40 dB	
Source and Load	50 $\Omega$	

### Physical Dimensions



#### Notes:

1. Surface mount package — Metal cover (can also be supplied in a package with SMA Connectors)
2. Dimensions in inches
3. If boards are cleaned after installation, dry units completely.