

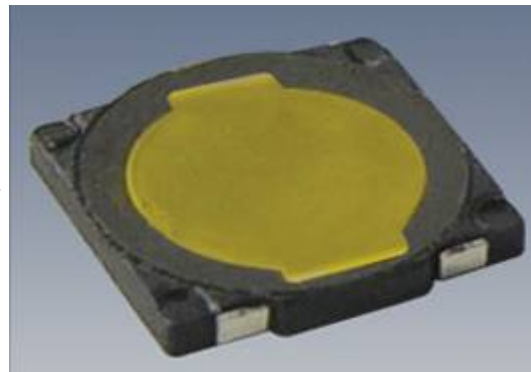
Model SWT4

Tactile Switches 4.6 X 4.6 mm

Low Profile 0.5 mm

RoHS Compliant

New Product



MODELS AVAILABLE

Top Actuation SMD (J PIN)

SWT4 - J

ELECTRICAL

Contact Resistance	100 mΩ max
Insulation Resistance	100 M Ω min. at 100VDC
Dielectric Strength	AC 250VAC / Minute
Rating	DC 12V, 50 mA

ENVIRONMENTAL

Life Mechanical (range)	500K Cycles - 160 gf 50K Cycles - 260 gf
Operating Force	160 gf and 260 gf
Operating Temperature Range	-20°C – 70°C
Storage Temperature Range	-30°C – 80°C
Stop Strength	Vertical Static Load of 3Kgf continuously for 15 sec
Vibration	Mil-STD-202F, Method 201A
Shock	Mil-STD-202F, Method 213B Condition A
Soldering	Profile available upon request
Travel	0.2 ±0.1mm

BI Technologies Corporation

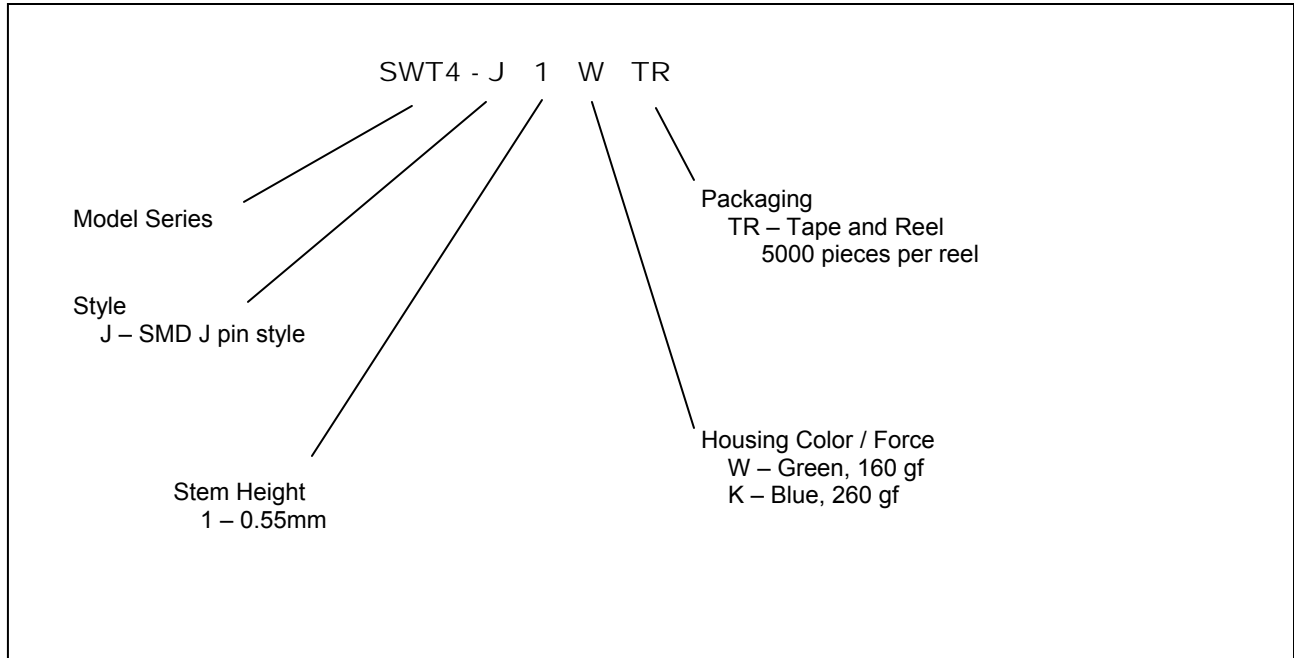
4200 Bonita Place, Fullerton, CA 92835 USA

Phone: 714 447 2345 Website: www.bitechnologies.com

June 1, 2010

Model SWT4

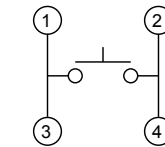
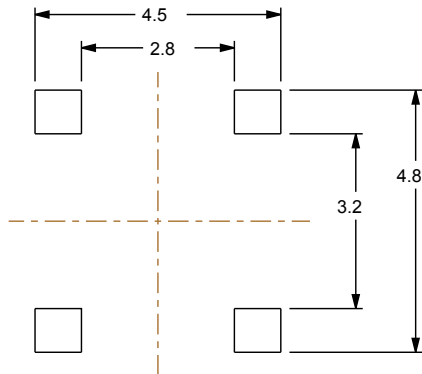
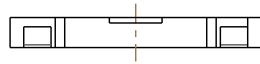
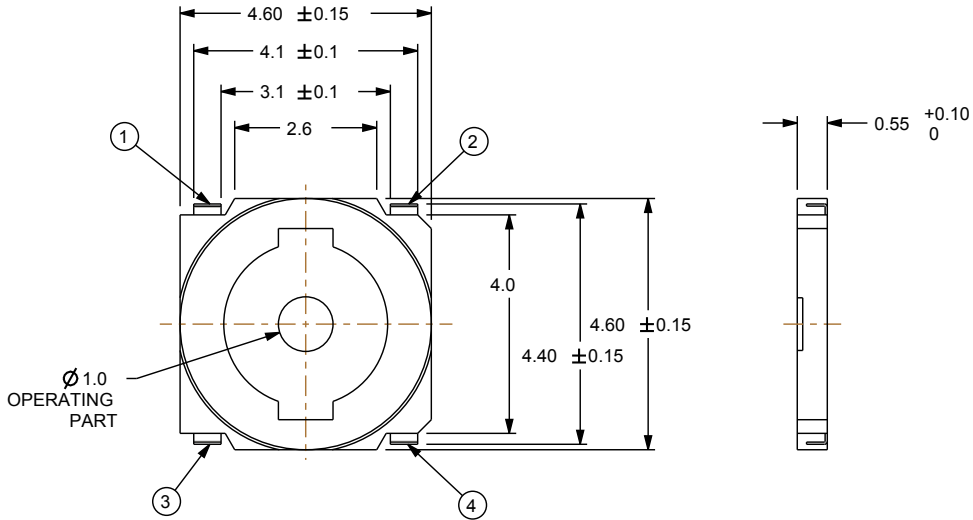
ORDERING INFORMATION



Model SWT4

OUTLINE DRAWINGS

SWT4-J

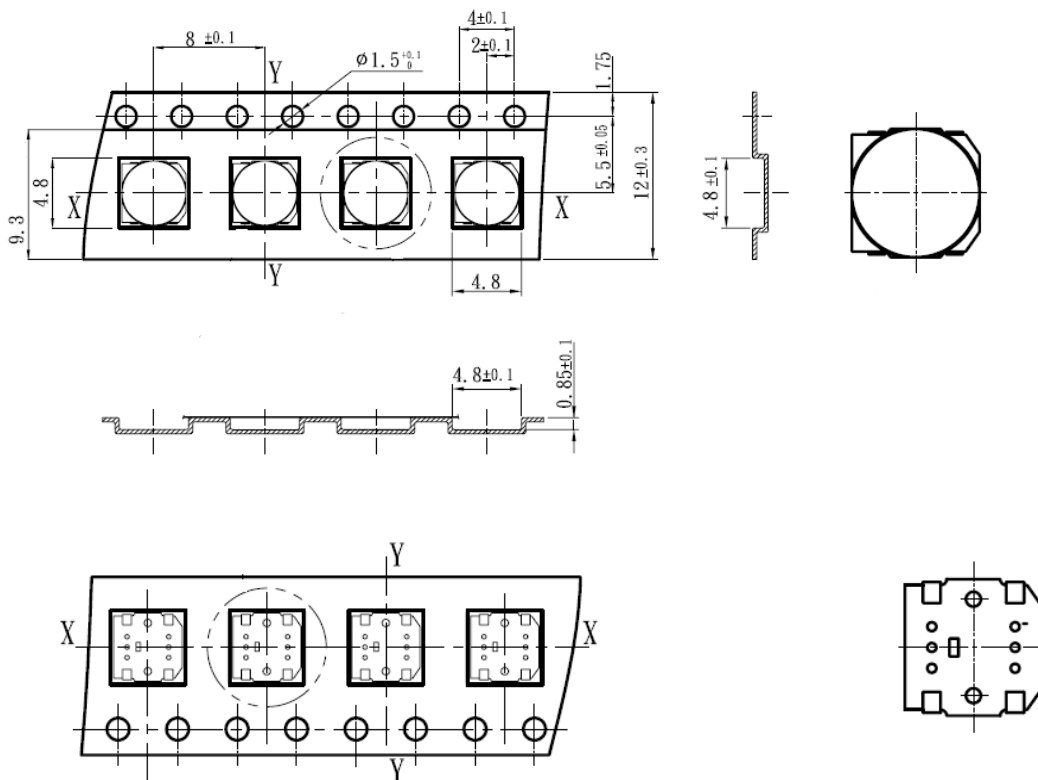


CIRCUIT DIAGRAM

PRINTED CIRCUIT BOARD LAND DIMENSIONS
(WHEN VIEWED FROM SWITCH MOUNTING SURFACE)

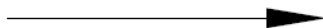
Model SWT4

PACKAGING

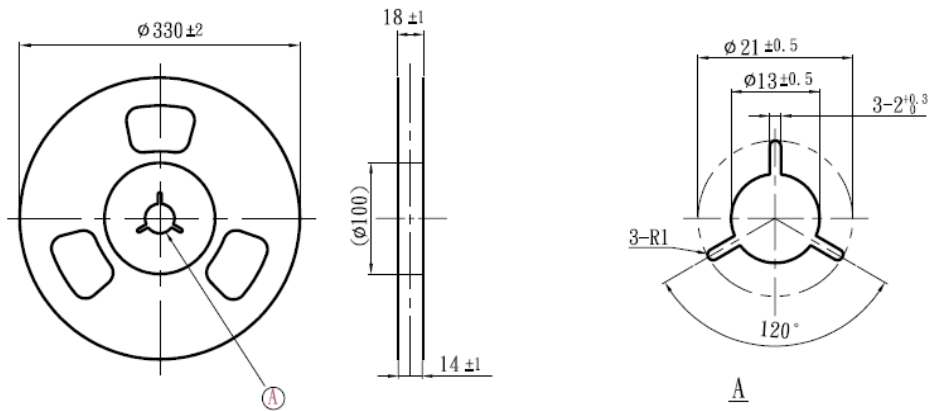


Carrier Tape form and Dimensions

Pulling-out direction of the tape



Model SWT4



Reel form and Dimensions