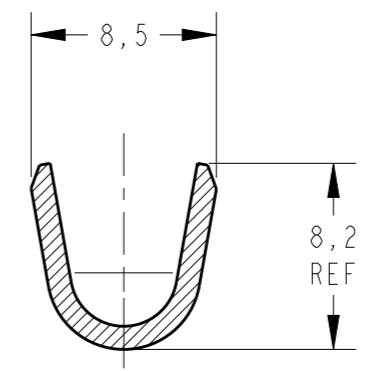
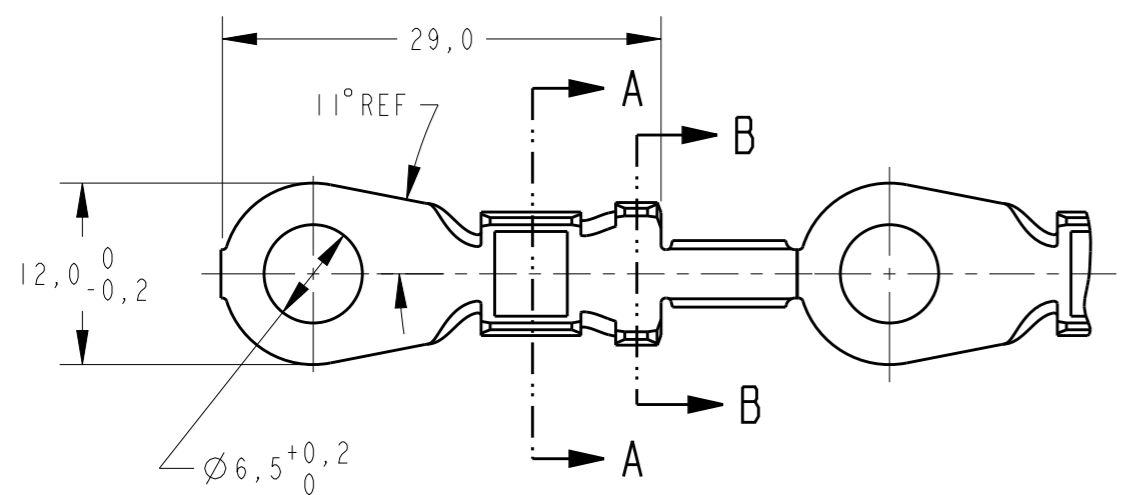


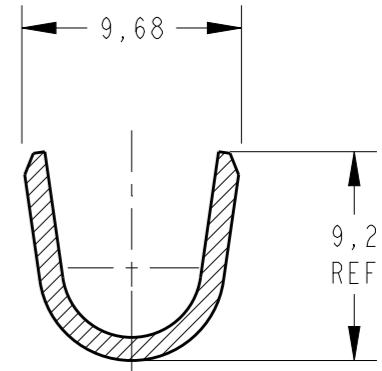
THIS DRAWING IS UNPUBLISHED. RELEASED FOR PUBLICATION 20  
 © COPYRIGHT 20 BY - ALL RIGHTS RESERVED.

LOC	DIST	REVISIONS				
P	LTR	DESCRIPTION	DATE	DWN	APVD	
AP	-					
B2		REDRAW BY CAD ECO-14-002488	19FEB2014	NCL	GB	
C		REVISED DRAWING ECO-14-013530	08SEP2014	NCL	LWP	

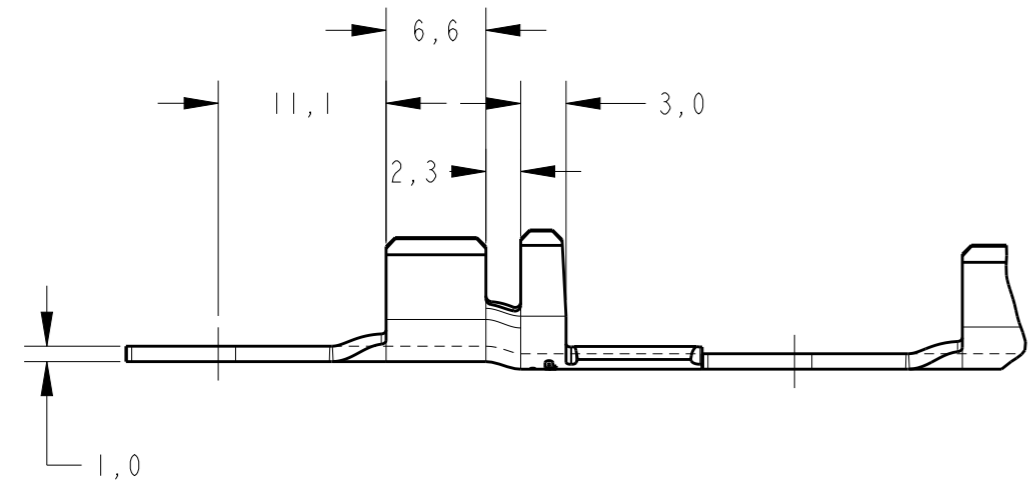
**creo**  
 Creo Parametric 2.0  
**DO NOT REUSE  
 EXCEPT BY CAD**



SECTION A-A  
 SCALE 3:1



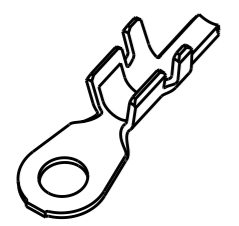
SECTION B-B  
 SCALE 3:1



1 - BOBINAR COM PAPEL INTERCALADO  
 - REELING WITH PAPER INTERLEAVE

2 - OBSOLETE PARTS: OBSOLETE CIS STREAMLINING PER D.RENAUD/D.SINISI

2 OBSOLETE	INSUL RANGE	WIRE RANGE	FINISH	MATERIAL	PART NO
	Ø 4,6-6,6mm	6,0-10,0mm <sup>2</sup>	ESTANHADO / TIN PLATED	LATÃO / BRASS	881016-3
	Ø 4,6-6,6mm	6,0-10,0mm <sup>2</sup>	ESTANHADO / TIN PLATED	LATÃO / BRASS	881016-2
	Ø 4,6-6,6mm	6,0-10,0mm <sup>2</sup>	—	LATÃO / BRASS	881016-1



PERSPECTIVE VIEW  
 SCALE 1:1

THIS DRAWING IS A CONTROLLED DOCUMENT.

DIMENSIONS: mm	TOLERANCES UNLESS OTHERWISE SPECIFIED: 0 PLC ± 1 PLC ±0,3 2 PLC ± 3 PLC ± 4 PLC ± ANGLES ±1°	DWN 20FEB2014 NCLAPRESA CHK 20FEB2014 JRGOLDSCHMIDT APVD 20FEB2014 DAOLIVEIRA	TE Connectivity <b>RING TONGUE</b>	
MATERIAL SEE TABLE	FINISH SEE TABLE	PRODUCT SPEC -	APPLICATION SPEC -	RESTRICTED TO -
		WEIGHT -	SIZE A3	CAGE CODE 00779
		Customer Drawing	DRAWING NO C-881016	SCALE 3:1