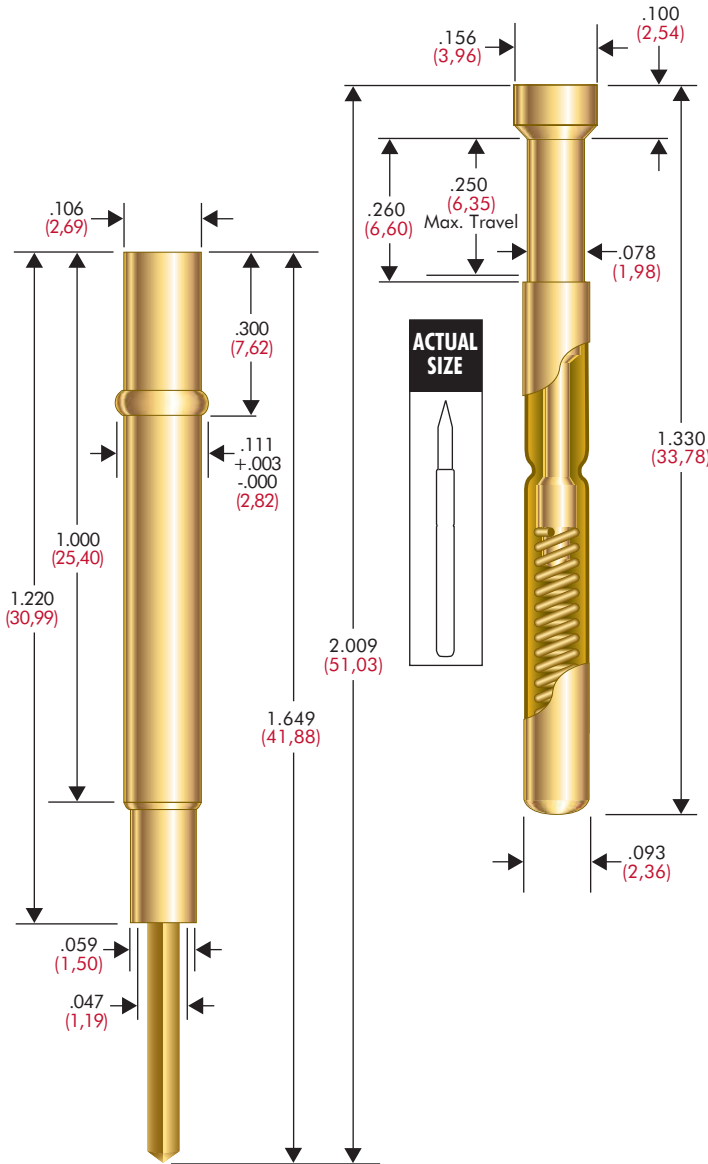


S 4 PROBE AND RECEPTACLE



PROBE SPECIFICATIONS

Minimum Centers:
 .156 (3,96) B, C, D, G, J, K
 Tip Styles
 .187 (4,75) A, E, F, H Tip Styles
Current Rating: 5 amps
 continuous
Spring Force: 5.0 or 7.0 oz.
 @ .170 (4,32) travel
Contact Resistance: <20 mΩ
Working Travel: .170 (4,32)

Rated Force oz (gms)	Preload oz (gms)
5.0 (142)	2.0 (57)
7.0 (198)	2.8 (79)

RECEPTACLE SPECIFICATIONS

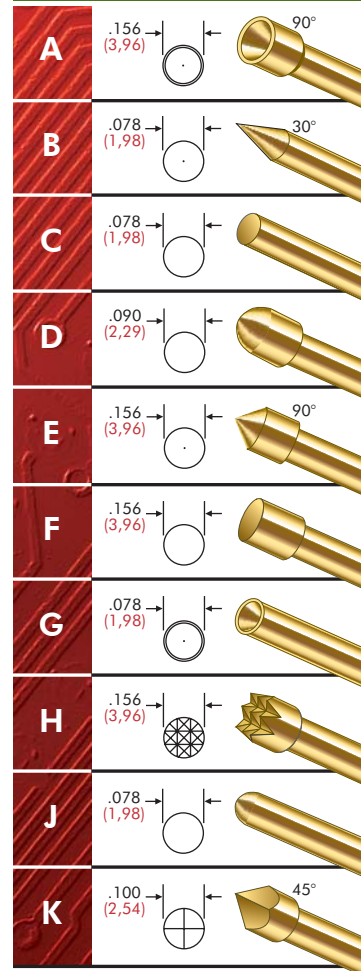
Connections:
 R-4-CR: Crimp
 R-4-SC: Solder Cup
 R-4-WW: Wire Wrap,
 .025 (0,64) square post,
 .429 (10,90) length

Recommended Wire:
 22-26 gage
Drill Size: #35
Mounting Hole Size:
 .108/.110 (2,74/2,79)

MATERIALS

Barrel: Nickel/silver, gold plated
Spring: Stainless steel, gold plated
Plunger: Full-hard beryllium copper, gold plated over nickel or optional Duralloy™
Receptacle: Nickel/silver, gold plated, gold plated post

BECu PLUNGERS



HOW TO ORDER: SPRING CONTACT PROBE

S	4	A	5	G
SERIES	SIZE	TIP STYLE	SPRING FORCE	PLATING OPTIONS

SPRING FORCE:
 5.0 oz. @ .170 (4,32) travel
 7.0 oz. @ .170 (4,32) travel

CRIMPING PLIERS: CP4
INSERTION TOOL: RT4

PLATING OPTIONS:
G: Gold Plated Plunger
D: Duralloy™ Plated Plunger

RECEPTACLE

R	4	WW	429
SERIES	SIZE	TERMINATION	POST LENGTH

TERMINATIONS:
CR: Crimp
SC: Solder Cup
WW: Wire Wrap

View updates of this information at <http://www.idinet.com>

Specifications subject to change without notice. Dimensions in inches (millimeters)