

PLEASE CHECK WWW.MOLEX.COM FOR LATEST PART INFORMATION

Part Number: **0008700056**
Status: **Active**
Overview: spox_bmi
Description: SPOX™ Crimp Terminal 5103, 22-28 AWG, Reel, Brass (CuZn), Chain Type, Lead Free

Documents:

Drawing (PDF)	Product Specification PS-5102-008 (PDF)
Product Specification PS-5045-001 (PDF)	Product Specification PS-5103-001 (PDF)
Product Specification PS-5045-002 (PDF)	Product Specification PS-5103-002 (PDF)
Product Specification PS-5102-002 (PDF)	RoHS Certificate of Compliance (PDF)
Product Specification PS-5102-004 (PDF)	

General

Product Family	Crimp Terminals
Series	5103
Crimp Quality Equipment	Yes
Overview	<u>spox_bmi</u>
Product Name	SPOX™

Physical

Durability (mating cycles max)	30
Gender	Female
Material - Metal	Brass
Material - Plating Mating	Tin
Material - Plating Termination	Tin
Packaging Type	Reel
Plating min: Mating (µin)	35
Plating min: Mating (µm)	0.88
Plating min: Termination (µin)	35
Plating min: Termination (µm)	0.88
Termination Interface: Style	Crimp or Compression
Wire Insulation Diameter	1.90mm (.075") max.
Wire Size AWG	22, 24, 26, 28
Wire Size mm²	N/A

Electrical

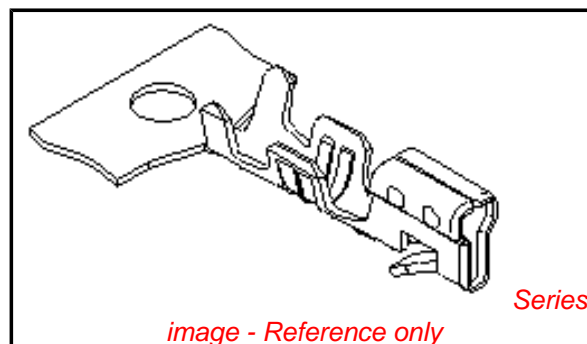
Current - Maximum per Contact	3A
Voltage - Maximum	250V

Material Info

Old Part Number	5103T
-----------------	-------

Reference - Drawing Numbers

Product Specification	PS-5045-001, PS-5045-002, PS-5102-002, PS-5102-004, PS-5102-008, PS-5103-001, PS-5103-002, RPS-35155-101, RPS-35155-102
Sales Drawing	SD-5103-002



EU RoHS

ELV and RoHS Compliant
REACH SVHC
Contains SVHC: No
Halogen-Free Status

China RoHS



Need more information on product environmental compliance?

Email productcompliance@molex.com
 For a multiple part number RoHS Certificate of Compliance, [click here](#)

Please visit the [Contact Us](#) section for any non-product compliance questions.

Search Parts in this Series

[5103Series](#)

Use With

[5102 Crimp Housing](#), [5207 Mini SPOX Housing](#)

Application Tooling | FAQ

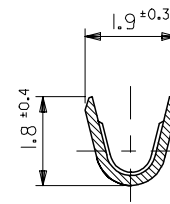
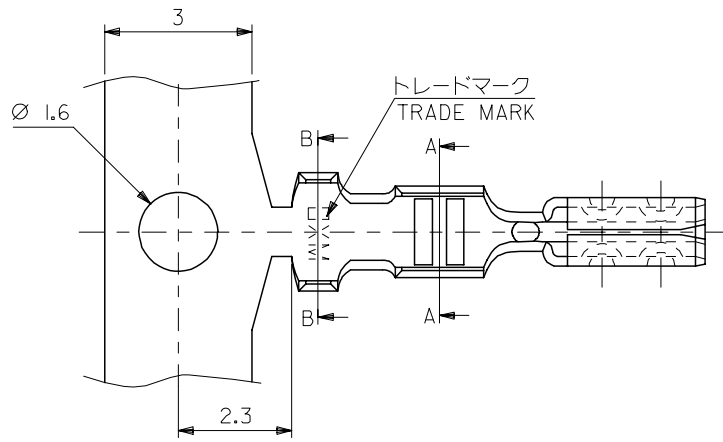
Tooling specifications and manuals are found by selecting the products below. Crimp Height Specifications are then contained in the Application Tooling Specification document.

Global

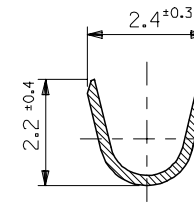
Description	Product #
FineAdjust™	0639004600
Applicator for SPOX™ Wire-to-Board and Wire-to-Wire Terminal, 22-28 AWG	
T2 Terminator	0639104600
Tooling Die	
Hand Crimp Tool	0638115200

This document was generated on 05/17/2010

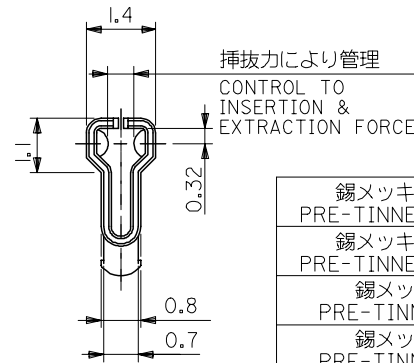
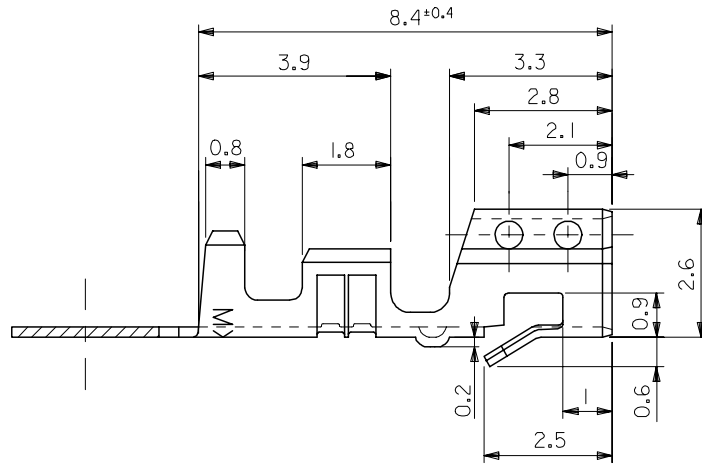
PLEASE CHECK WWW.MOLEX.COM FOR LATEST PART INFORMATION



断面 A-A
SECT. A-A



断面 B-B
SECT. B-B



注記 NOTES:

1. 適合ハウジング:
APPLICABLE HOUSING:
5102-N,5207-N,5208-N,5209-N

錫メッキ済リン青銅 PRE-TINNED PHOS-BRO.	08-70-0059	5103PBTL	バラ状 LOOSE
錫メッキ済リン青銅 PRE-TINNED PHOS-BRO.	08-70-0058	5103PBT	連鎖状 CHAIN
錫メッキ済黄銅 PRE-TINNED BRASS	08-70-0057	5103TL	バラ状 LOOSE
錫メッキ済黄銅 PRE-TINNED BRASS	08-70-0056	5103T	連鎖状 CHAIN
材料 MATERIAL	EDP NO.	ENG. NO.	端子形状 FORM

材料 MATERIAL	表参照 (t=0.203) SEE TABLE
適用電線範囲 WIRE RANGE	AWG#22~28 0.33~0.08mm ²
被覆外径 INS. RANGE	Ø1.15 ~ Ø1.9

REVISED	EC NO: J2006-3417	2006/07/31
	DRWN:KSAIT001	2006/08/04
	CHKD:MTANAKA	2006/08/04
	APPR:NUKITA	2006/08/07
N		

GENERAL TOLERANCES (UNLESS SPECIFIED)	
10 UNDER	±0.2
10 OVER 30 UNDER	±0.25
30 OVER	±0.3
ANGULAR	±3 °
DRAFT WHERE APPLICABLE MUST REMAIN WITHIN DIMENSIONS	

DIMENSION STYLE MM ONLY	
DRAWN BY	DATE
K.TOJO	1990/12/25
CHECKED BY	DATE
H.HIRAMOTO	1996/03/04
APPROVED BY	DATE
M.FUKUSHIMA	1996/03/04
MATERIAL NO. SEE CHART	
SIZE	A3

SCALE 10:1	DESIGN UNITS METRIC	THIRD ANGLE PROJECTION
TITLE MINI SPOX CRIMP REC		
MOLEX INCORPORATED		
DOCUMENT NO. SD-5103-002	SHEET NO. 1 OF 1	
THIS DRAWING CONTAINS INFORMATION THAT IS PROPRIETARY TO MOLEX INCORPORATED AND SHOULD NOT BE USED WITHOUT WRITTEN PERMISSION		