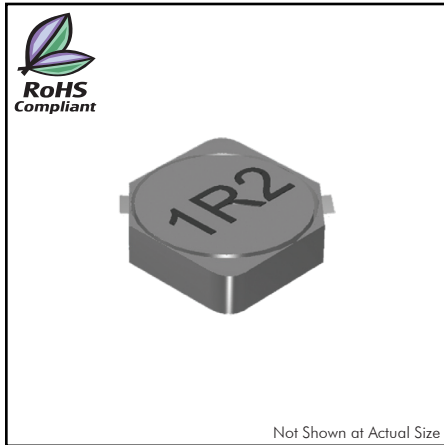


CTCDRH4D28F Series

From 1.2 μH to 390 μH

ENGINEERING KIT #43F



SPECIFICATIONS

Parts are available in $\pm 30\%$ tolerance only.

Part Number	Inductance @ 0.25Vrms,0Adc ($\mu\text{H} \pm 30\%$)	L Test Freq. (KHz)	DCR Max. (m Ω)	Rated DC Current (A)
CTCDRH4D28F-1R2N	1.2	100	23.6	2.56
CTCDRH4D28F-1R8N	1.8	100	27.5	2.20
CTCDRH4D28F-2R2N	2.2	100	31.3	2.04
CTCDRH4D28F-2R7N	2.7	100	43.3	1.60
CTCDRH4D28F-3R3N	3.3	100	49.2	1.57
CTCDRH4D28F-3R9N	3.9	100	64.8	1.44
CTCDRH4D28F-4R7N	4.7	100	72.0	1.32
CTCDRH4D28F-5R6N	5.6	100	100.9	1.17
CTCDRH4D28F-6R8N	6.8	100	108.9	1.12
CTCDRH4D28F-8R2N	8.2	100	117.5	1.04
CTCDRH4D28F-100N	10	100	128.5	1.00
CTCDRH4D28F-120N	12	100	131.6	0.84
CTCDRH4D28F-150N	15	100	149.0	0.76
CTCDRH4D28F-180N	18	100	166.0	0.72
CTCDRH4D28F-220N	22	100	235.0	0.70
CTCDRH4D28F-270N	27	100	261.0	0.58
CTCDRH4D28F-330N	33	100	378.0	0.56
CTCDRH4D28F-390N	39	100	387.0	0.50
CTCDRH4D28F-470N	47	100	587.0	0.48
CTCDRH4D28F-560N	56	100	624.5	0.41
CTCDRH4D28F-680N	68	100	699.0	0.35
CTCDRH4D28F-820N	82	100	914.8	0.32
CTCDRH4D28F-101N	100	100	1020.0	0.29
CTCDRH4D28F-121N	120	100	1270.0	0.27
CTCDRH4D28F-151N	150	100	1350.0	0.24
CTCDRH4D28F-181N	180	100	1540.0	0.22
CTCDRH4D28F-221N	220	100	1720.0	0.22
CTCDRH4D28F-271N	270	100	1950.0	0.16
CTCDRH4D28F-331N	330	100	2660.0	0.14
CTCDRH4D28F-391N	390	100	2830.0	0.13

CHARACTERISTICS

Description: SMD (shielded) power inductor.

Applications: Power supplies for VTR, OA equipment, LCD televisions, PC notebooks, portable communication equipment, DC/DC converters, etc.

Operating Temperature: -30°C to $+100^{\circ}\text{C}$

Inductance Tolerance: $\pm 30\%$

Testing: Tested on a HP4285A at specified frequency.

Packaging: Tape & Reel.

Marking: Parts are marked with inductance code.

Rated DC Current: Indicates the current when the inductance decreases to 65% more than its nominal value and temperature rising $\Delta T=40^{\circ}\text{C}$ lower at D.C. superposition.

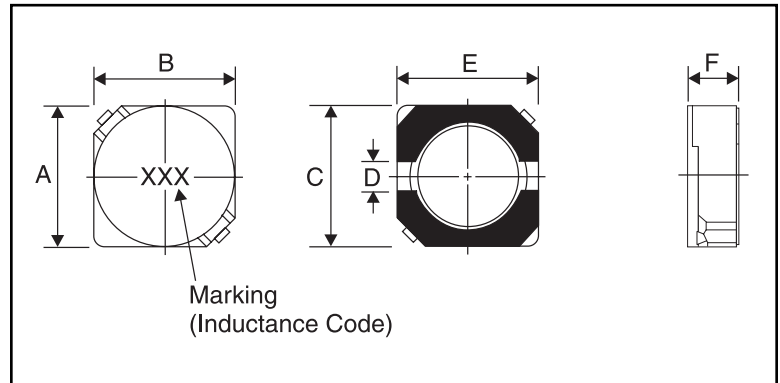
Miscellaneous: RoHS Compliant.

Additional Information: Additional electrical & physical information available upon request.

Samples available. See website for ordering information.

PHYSICAL DIMENSIONS

Size	A	B	C	D	E	F Max.
mm	4.7 \pm 0.3	4.7 \pm 0.3	4.5	1.5	4.5	3.0
inches	0.19 \pm 0.01	0.19 \pm 0.01	0.177	0.06	0.177	0.12



PAD LAYOUT

