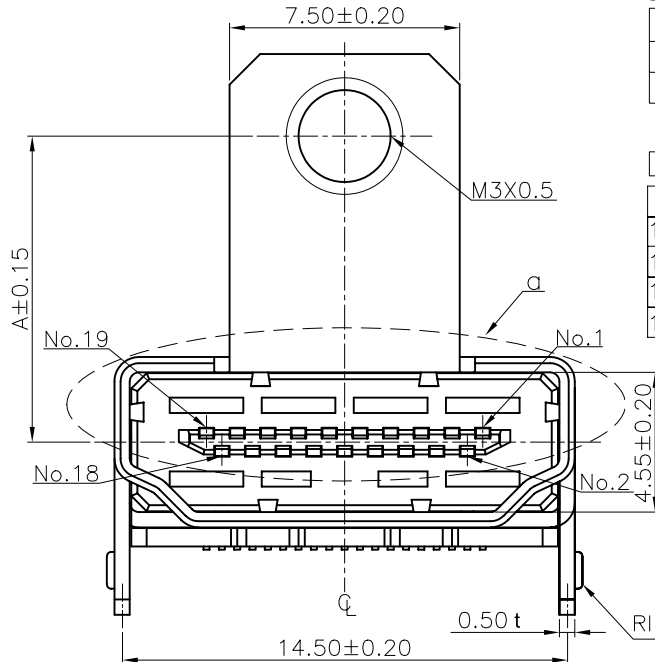
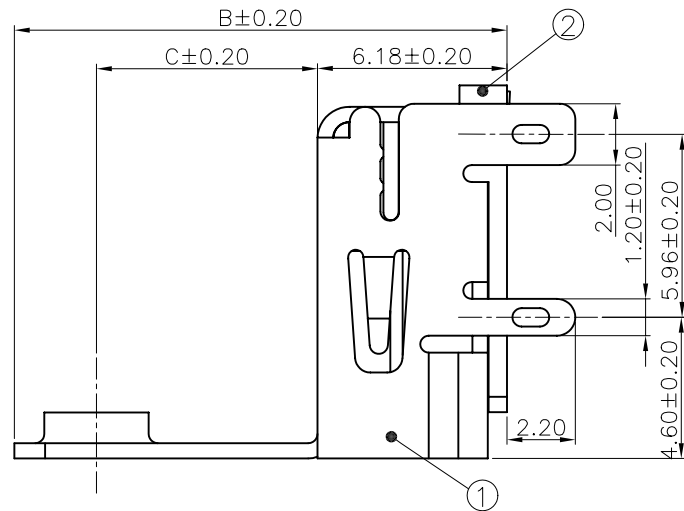
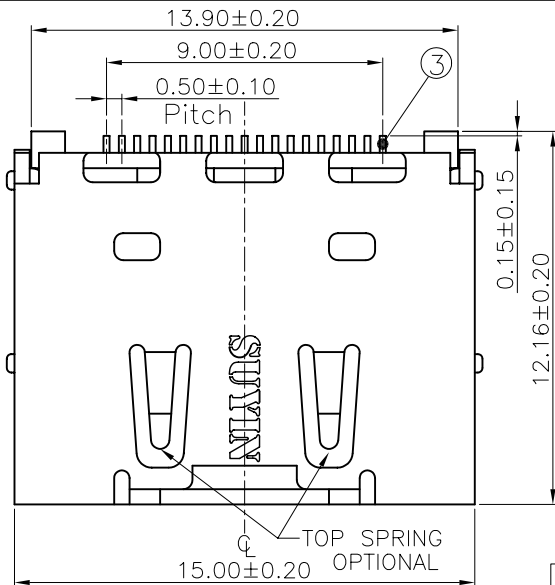




RoHS Compliant
2002/95/EC
Process Capable

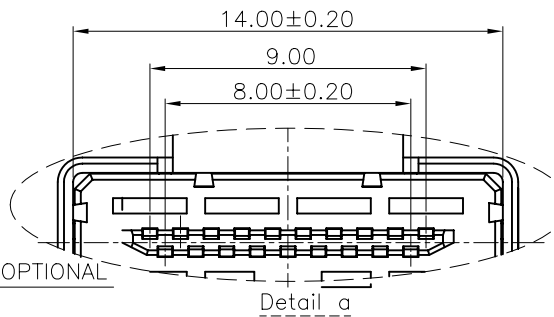


1. Notes:

SUYIN P/NO.	Product Description
100042MB019SX16ZA	Top with spring.
100042MB019SX19ZA	Top without spring.

2. Dimensional Information

SUYIN P/NO	DIM. A	DIM. B	DIM. C
100042MB019SX16ZA	9.975	16.05	7.20
100042MB019SX19ZA	7.975	14.53	5.20



3. NOTES:

100042MB019S□XXZA

1. Plating

- S1-05u" Min. gold in contact area/
100u" Min. Tin in solder area.
- S2-Gold flash in contact area/
100u" Min. Tin in solder area.
- S3-10u" Min. gold in contact area/
100u" Min. Tin in solder area.
- S4-15u" Min. gold in contact area/
100u" Min. Tin in solder area.
- S5-30u" Min. gold in contact area/
100u" Min. Tin in solder area.

NO.	DESCRIPTION	MATERIAL	COLOR	REMARK
3	Terminal	Copper Alloy		Gold/Tin Plated Over Ni
2	Housing	High Temp.	Black	UL 94V-0
1	Shell	Metal		Ni Plated

SUYIN
CONNECTOR

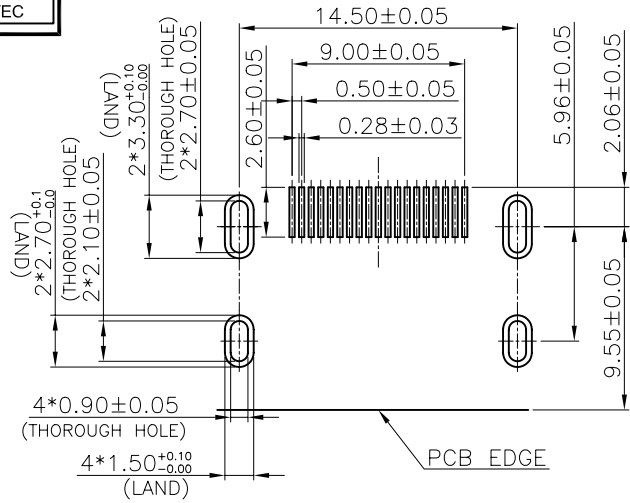
CUSTOMER COPY	TITLE:	HDMI Receptacle SMT Type Female connector with flange		
PART NO.	100042MB019SXXXZA			
PRODUCT SPEC.	100042MX019XXXXZX			
FILE NAME.	DWG	100042MB019SXXXZA-16C		
SCALE	4:1	UNIT:mm	A4	SHEET: 1 of 3

ECN(DCN) NO.	REV	DATE	DESCRIPTION	CHANGE	APPRO.	Angle	±2°	DRAW	李楠	06'/11/29
	0		NEW RELEASE	李楠	童俐	30 ~	±0.50	DESIGN	李楠	06'/11/29
	P0	06'/09/02	NEW	李楠	童俐	10 ~ 30	±0.30	CHECK	鄭冰雨	06'/11/29
						~ 10	±0.15	APPRO.	童俐	06'/11/29

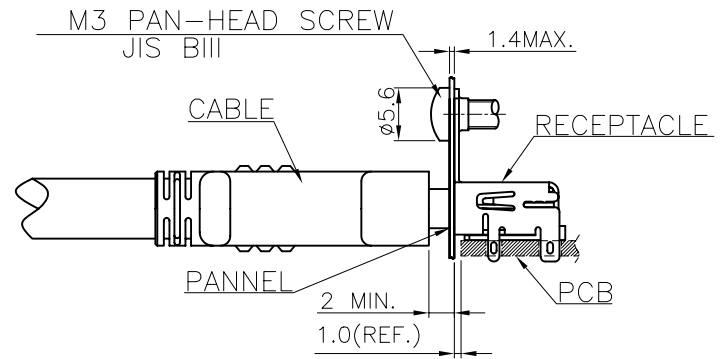
GENERAL TOLERANCE UNLESS OTHERWISE NOTED



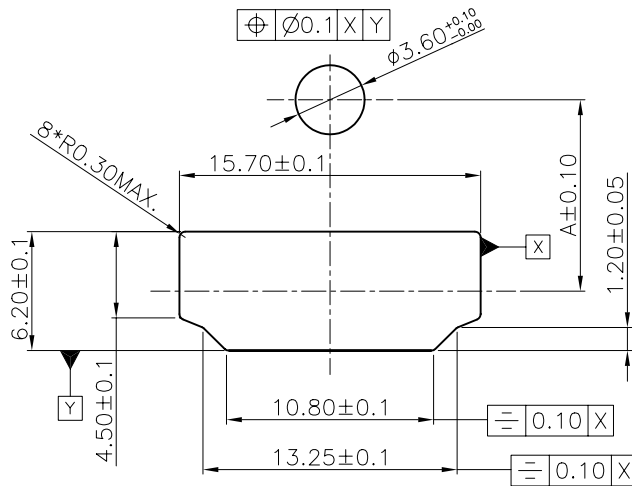
RoHS Compliant
2002/95/EC



RECOMMENDED PCB LAYOUT (THICKNESS=1.6±0.15mm)



REFERENCE MOUNT DIMENSION



REFERENCE PANEL CUT OUT DIMENSION

3	Terminal	Copper Alloy	——	Gold/Tin Plated Over Ni
2	Housing	High Temp.	Black	UL 94V-0
1	Shell	Metal	——	Ni Plated
NO.	DESCRIPTION	MATERIAL	COLOR	REMARK

SUYIN
CONNECTOR

CUSTOMER COPY	TITLE: HDMI Receptacle SMT Type Female Connector With Flange			
PART NO.	100042MB019SXXXZA			
PRODUCT SPEC.	100042MX019XXXXZX			
FILE NAME.	D	100042MB019SXXXZA-16C		
SCALE	2.5:1	UNIT:mm	A4	SHEET: 2 of 3

					Angle	±2°	DRAW	李楠	06'/11/29
					30 ~	±0.50	DESIGN	李楠	06'/11/29
	0		NEW RELEASE	李楠 童俐	10 ~ 30	±0.30	CHECK	鄭冰雨	06'/11/29
	P0	06'/09/02	NEW	李楠 童俐	~ 10	±0.15	APPRO.	童俐	06'/11/29
ECN(DCN) NO.	REV	DATE	DESCRIPTION	CHANGE	APPRO.	GENERAL TOLERANCE UNLESS OTHERWISE NOTED	APPRO.		

