

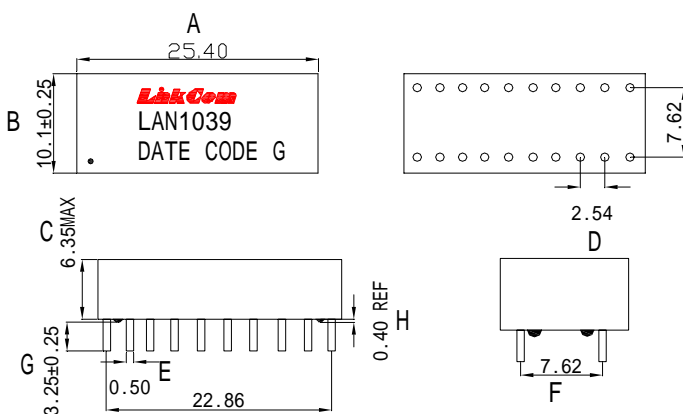
**10/100BASE-Tx Magnetics Module**

- Meets IEEE 802.3 standard
- RoHS Compliant
- Single port configuration
- Design for 100base-Tx transmission over UTP-5 cable
- Operating Temperature: 0 ~70

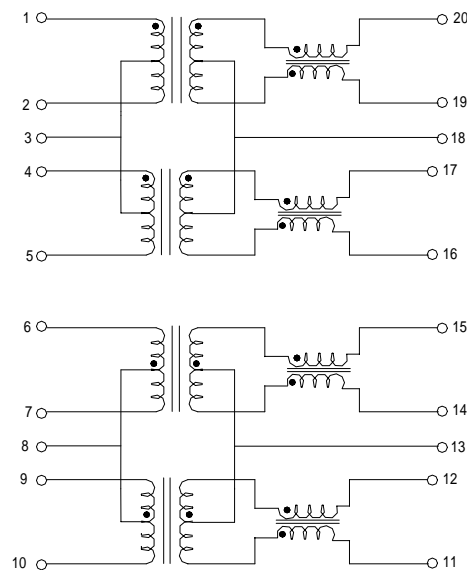
**Electrical Specification @25**

OCL:	350uH Min. @100KHz/0.1V with 8mA DC Bias			
Hi-POT :	1500Vrms.			
Turn Ratio:	1CT:1CT±3%			
D.C.R:	0.9ohm Max.			
Insertion Loss:	0.1-100MHz -1.0dB Max.			
Return Loss:	2-30MHz	40MHz	50MHz	60-80MHz
	-18dB Min.	-14.4dB Min.	-13.1dB Min.	-12dB Min.
C.M.R.R :	1-60MHz		60-200MHz	
	-37dB Min.		-25dB Min.	
Cross Talk :	1MHz	30MHz	60MHz	100MHz
	-55dB Min.	-45dB Min.	-40dB Min.	-33dB Min.

**Dimensions**



**Schematic**



Units: mm

Unless otherwise specified, all tolerances are ±0.25