

PLEASE CHECK WWW.MOLEX.COM FOR LATEST PART INFORMATION

Part Number: [0050842092](#)
Status: **Active**
Overview: [mlx](#)
Description: 2.13mm (.084") Diameter MLX™ Pin and Socket Receptacle, 9 Circuits

Documents:

[3D Model](#) [Product Specification PSX-42022-0002 \(PDF\)](#)
[Drawing \(PDF\)](#) [RoHS Certificate of Compliance \(PDF\)](#)
[Product Specification PS-42022-0001 \(PDF\)](#)

Agency Certification

CSA LR19980
 UL E29179

General

Product Family Crimp Housings
 Series [42022](#)
 Comments Glow Wire Equivalent Part Number [366440006](#)
 Overview [mlx](#)
 Product Name MLX™

Physical

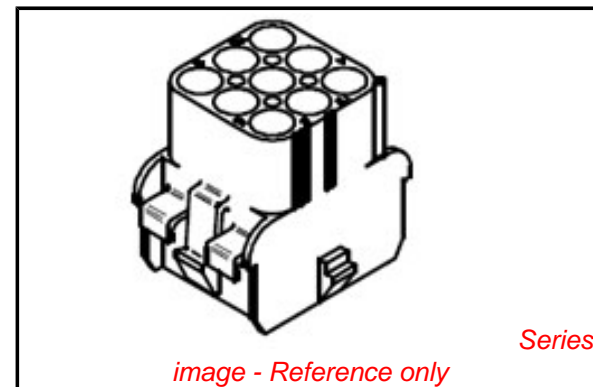
Circuits (maximum) 9
 Circuits Detail 9
 Color - Resin Natural
 Flammability 94V-0
 Gender Female
 Glow-Wire Compliant No
 Keying to Mating Part None
 Lock to Mating Part Yes
 Material - Resin Nylon
 Number of Rows 3
 Packaging Type Bag
 Panel Mount Yes
 Pitch - Mating Interface (in) 0.250 In
 Pitch - Mating Interface (mm) 6.35 mm
 Polarized to Mating Part Yes
 Stackable No
 Temperature Range - Operating -55°C to +105°C

Material Info

Old Part Number 4202209C

Reference - Drawing Numbers

Packaging Specification PK-42022-**
 Product Specification PS-42022-0001, PSX-42022-0002
 Sales Drawing SD-42022-**



EU RoHS

**ELV and RoHS
 Compliant**
**REACH SVHC
 Contains SVHC: No**
**Halogen-Free
 Status**

China RoHS



**Need more information on product
 environmental compliance?**

Email productcompliance@molex.com
 For a multiple part number RoHS Certificate of
 Compliance, [click here](#)

Please visit the [Contact Us](#) section for any
 non-product compliance questions.

Search Parts in this Series

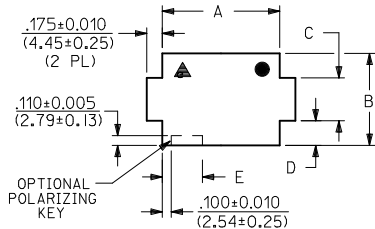
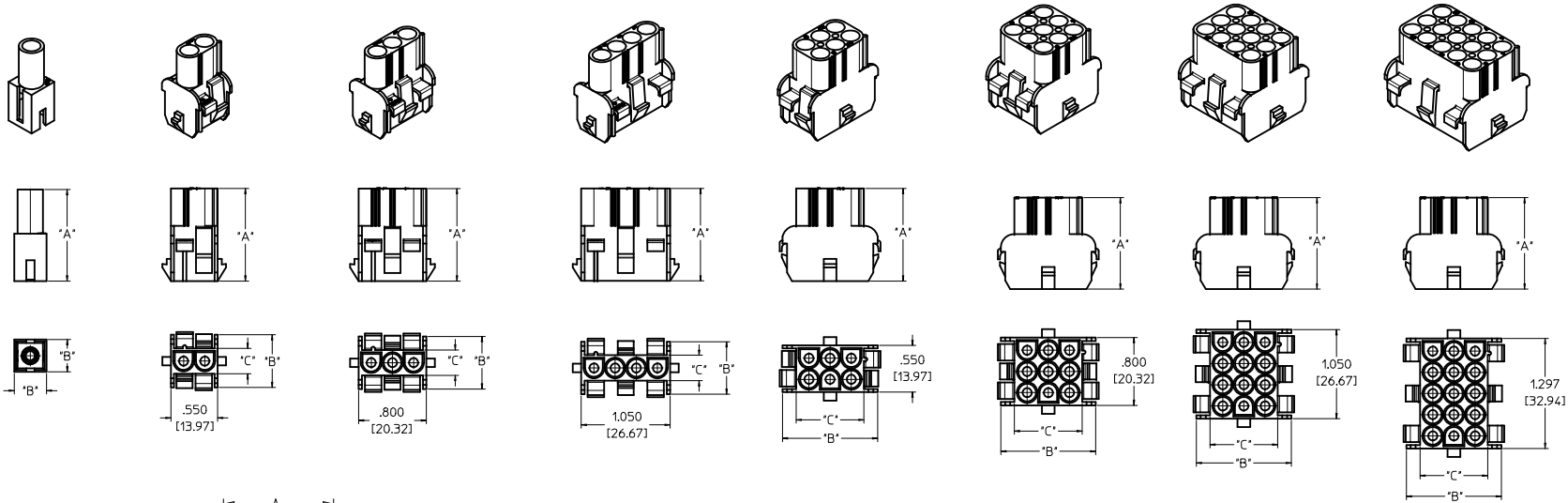
[42022Series](#)

Mates With

[42021](#) MLX™ Power Crimp Housing Plug

Use With

MLX Crimp Terminal [42023](#) , [42024](#)



RECOMMENDED PANEL CUTOUT

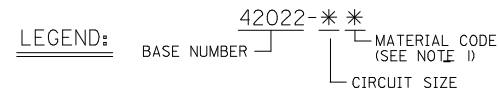
PANEL THICKNESS: .030-.090/(0.76-2.29)
(SEE NOTE 6)

CIRCUIT SIZE	DIMENSIONS				
	A ±.005	B ±.005	C ±.010	D ±.010	E ±.010
2	.565 (14.35)	.530 (13.46)	.340 (8.64)	.095 (2.41)	.250 (6.35)
3	.815 (20.70)	.530 (13.46)	.340 (8.64)	.095 (2.41)	.250 (6.35)
4	1.065 (27.05)	.530 (13.46)	.340 (8.64)	.095 (2.41)	.250 (6.35)
6	.565 (14.35)	1.030 (26.16)	.480 (12.19)	.275 (6.99)	.250 (6.35)
8	2.065 (52.45)	.530 (13.46)	.340 (8.64)	.095 (2.41)	.250 (6.35)
9	.815 (20.70)	1.030 (26.16)	.480 (12.19)	.275 (6.99)	.250 (6.35)
12	1.065 (27.05)	1.030 (26.16)	.480 (12.19)	.275 (6.99)	.350 (8.89)
15	1.315 (33.40)	1.030 (26.16)	.480 (12.19)	.275 (6.99)	.350 (8.89)

- ▲ - CIRCUIT #1 LOCATION WHEN USING POLARIZING KEY OPTION WITH 2, 3, 4 AND 8 CIRCUIT HOUSINGS.
- - OPTION WITH 6, 9, 12 AND 15 CIRCUIT HOUSINGS.

NOTES:

- 1) MATERIAL CODES:
 - *A* = PA6/6, V-2
COLOUR: NATURAL-TRANSLUCENT
 - *C* = PA66/6, V-0
COLOUR: NATURAL-OPAQUE
 - *D* = PA6, 94V-2
COLOUR-NATURAL
FOR GLOW WIRE APPLICATION WITH
CTI OF 325 VOLTS, AS PER IEC-60335-1 4TH EDITION
 - *E* = NYLON PA6, 94V-2
COLOUR- BLACK (ZYTEL 101F)
- 2) UNLESS OTHERWISE INDICATED, DIMENSIONS ARE FOR REFERENCE ONLY.
- 3) CAP HOUSINGS MATE WITH :
 - PLUG HOUSINGS, .084/(2.13) DIA. SERIES: (42021-**)
- 4) HOUSINGS DESIGNED TO BE USED WITH TERMINALS:
 - PINS, .084/(2.13) DIA. SERIES: (42023-****)
 - SOCKETS, .084/(2.13) DIA. SERIES: (42024-****)
- 5) CONTACTS ARE ON .250/(6.35) GRID CENTERLINE SPACING.
- 6) PANEL TO BE PUNCHED SO THAT THE HOUSING ENTERS THE PANEL OPPOSITE THE SIDE WITH THE BURR (I.E. OPPOSITE THE BREAK SIDE).
- 7) PRODUCT SPECIFICATION PS-42022-0001 APPLIES.
- 8) LEGEND SCHEME IS NOT APPLICABLE FOR GLOW WIRE COMPATIBLE PART NUMBERS



ENTER DESCRIPTION ECN NO: 2005-0546 2006/11/15 CHG APPR: ASD 2006/11/15 APPR: PRASAD 2006/12/07	QUALITY SYMBOLS ▽=0 ▽=0	GENERAL TOLERANCES (UNLESS SPECIFIED) mm INCH		DIMENSION STYLE MM ONLY		SCALE 2:1	DESIGN UNITS METRIC	THIRD ANGLE PROJECTION	
		4 PLACES ± --- ± --- 3 PLACES ± --- ± --- 2 PLACES ± 0.25 ± --- 1 PLACE ± 0.36 ± --- ANGULAR ± --- °	DRAWN BY: RK DATE: 8/7/11/15 CHECKED BY: GWJ DATE: 8/7/11/15 APPROVED BY: GWJ DATE: 8/7/11/15	TITLE HOUSING CAP .084/(2.13) DIA. SERIES		DOCUMENT NO. 9999999999		SHEET NO. 1 OF 2	
		DRAFT WHERE APPLICABLE MUST REMAIN WITHIN DIMENSIONS		MATERIAL NO. 9999999999		INCORPORATED AND SHOULD NOT BE USED WITHOUT WRITTEN PERMISSION		MOLEX INCORPORATED	
		THIS DRAWING CONTAINS INFORMATION THAT IS PROPRIETARY TO MOLEX INCORPORATED AND SHOULD NOT BE USED WITHOUT WRITTEN PERMISSION							

PART NO.	ENG. NO.	CIRCUIT SIZE	MATERIAL (SEE NOTE 1)	STATUS	DIM. "A"	DIM. "B"	DIM. "C"
050-84-2010	42022-1A	1	A	ACTIVE	1.090 (27.70)	.380 (9.65)	----
050-84-2012	42022-1C	1	C	ACTIVE			
366440001	36644-001	1	D	ACTIVE			
366480021	36648-021	1	E	ACTIVE			
050-84-2020	42022-2A	2	A	ACTIVE	1.090 (27.70)	.620 (15.75)	.300 (7.62)
050-84-2022	42022-2C	2	C	ACTIVE			
366440002	36644-002	2	D	ACTIVE			
366480022	36648-022	2	E	ACTIVE			
050-84-2030	42022-3A	3	A	ACTIVE	1.090 (27.70)	.620 (15.75)	.300 (7.62)
050-84-2032	42022-3C	3	C	ACTIVE			
366440003	36644-003	3	D	ACTIVE			
366480023	36648-023	3	E	ACTIVE			
050-84-2040	42022-4A	4	A	ACTIVE	1.090 (27.70)	.620 (15.75)	.300 (7.62)
050-84-2042	42022-4C	4	C	ACTIVE			
366440004	36644-004	4	D	ACTIVE			
366480024	36648-024	4	E	ACTIVE			
050-84-2060	42022-6A	6	A	ACTIVE	1.090 (27.70)	1.120 (28.45)	.800 (20.32)
050-84-2062	42022-6C	6	C	ACTIVE			
366440005	36644-005	6	D	ACTIVE			
366480025	36648-025	6	E	ACTIVE			
050-84-2090	42022-9A	9	A	ACTIVE	1.090 (27.70)	1.120 (28.45)	.800 (20.32)
050-84-2092	42022-9C	9	C	ACTIVE			
366440006	36644-006	9	D	ACTIVE			
366480026	36648-026	9	E	ACTIVE			
050-84-2120	42022-12A	12	A	ACTIVE	1.090 (27.70)	1.120 (28.45)	.800 (20.32)
050-84-2122	42022-12C	12	C	ACTIVE			
366440007	36644-007	12	D	ACTIVE			
366480027	36648-027	12	E	ACTIVE			
050-84-2150	42022-15A	15	A	ACTIVE	1.090 (27.70)	1.120 (28.45)	.800 (20.32)
050-84-2152	42022-15C	15	C	ACTIVE			
366440008	36644-008	15	D	ACTIVE			
366480028	36648-028	15	E	ACTIVE			

ENTER DESCRIPTION EC NO: 2005-0545 2006/11/08 CHKD: PERSAD 2006/11/23 APPR: PERSAD 2006/12/07	QUALITY SYMBOLS 60 90	GENERAL TOLERANCES (UNLESS SPECIFIED) <table border="1"> <tr> <th></th> <th>mm</th> <th>INCH</th> </tr> <tr> <td>4 PLACES</td> <td>± .005</td> <td>± .0005</td> </tr> <tr> <td>3 PLACES</td> <td>± .003</td> <td>± .0003</td> </tr> <tr> <td>2 PLACES</td> <td>± 0.25</td> <td>± .010</td> </tr> <tr> <td>1 PLACE</td> <td>± 0.36</td> <td>± .014</td> </tr> <tr> <td>ANGULAR</td> <td>± .005</td> <td>± .0005</td> </tr> </table>		mm	INCH	4 PLACES	± .005	± .0005	3 PLACES	± .003	± .0003	2 PLACES	± 0.25	± .010	1 PLACE	± 0.36	± .014	ANGULAR	± .005	± .0005	DIMENSION STYLE MM ONLY	SCALE DESIGN UNITS METRIC	<input checked="" type="checkbox"/> THIRD ANGLE PROJECTION
		mm	INCH																				
	4 PLACES	± .005	± .0005																				
	3 PLACES	± .003	± .0003																				
2 PLACES	± 0.25	± .010																					
1 PLACE	± 0.36	± .014																					
ANGULAR	± .005	± .0005																					
DRAWN BY DATE RK 8/7/11/15		CHECKED BY DATE GW 8/7/11/15		TITLE HOUSING CAP .084/(2.13) DIA. SERIES																			
APPROVED BY DATE GW 8/7/11/15		MATERIAL NO. SEE CHART		DOCUMENT NO. SD-42022-***																			
DRAFT WHERE APPLICABLE MUST REMAIN WITHIN DIMENSIONS		SIZE A0		SHEET NO. 2 OF 2																			