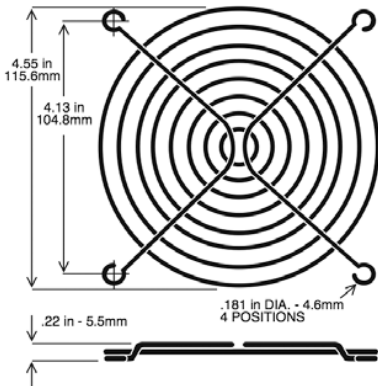




120mm (4.7")

Fan Guards

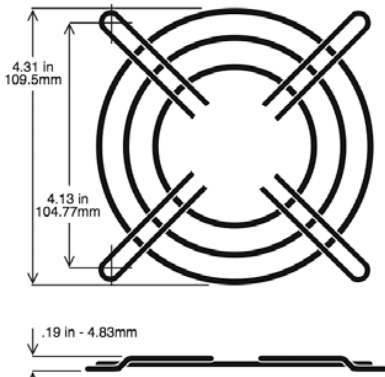
120mm (4.7")



Matching Fan Series:
OD1225,
OD1238,
OA125,
OA109,
OA4715

Part No.:	G109-15A and G109-15AB [Black finish]
Material:	C1008 Steel
Wire Dia (Ring):	1.8mm
Wire Dia (Rib):	1.8mm
Ring Spacing:	Meets 6.35mm plug gauge test
Separation Force:	220 lbs. on welds
Fits:	120mm (4.7") fans
Plating:	Bright Nickel Chrome or Black anodized
Options:	Additional plating materials are available by special order.

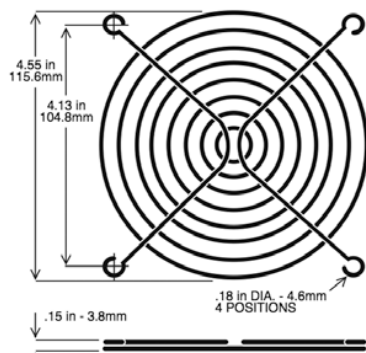
120mm (4.7")



Matching Fan Series:
OD1225,
OD1238,
OA125,
OA109,
OA4715

Part No.:	G109-3A
Material:	C1008 Steel
Wire Dia (Ring):	1.6mm
Wire Dia (Rib):	1.6mm
Ring Spacing:	Meets 6.35mm plug gauge test
Separation Force:	220 lbs. on welds
Fits:	120mm (4.7") fans
Plating:	Bright Nickel Chrome
Options:	Additional plating materials are available by special order.

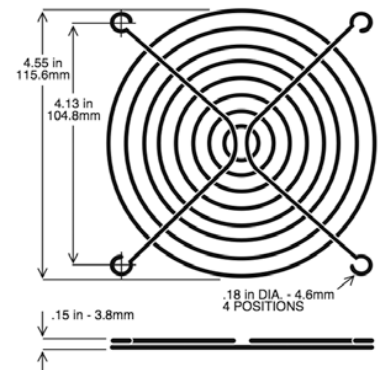
120mm (4.7")



Matching Fan Series:
OD1225,
OD1238,
OA125,
OA109,
OA4715

Part No.:	G109-15B
Material:	C1008 Steel
Wire Dia (Ring):	1.8mm
Wire Dia (Rib):	1.8mm
Ring Spacing:	Meets 6.35mm plug gauge test
Separation Force:	220 lbs. on welds
Fits:	120mm (4.7") fans
Plating:	Bright Nickel Chrome
Options:	Additional plating materials are available by special order.

120mm (4.7")



Matching Fan Series:
OD1225,
OD1238,
OA125,
OA109,
OA4715

Part No.:	G109-15B-1
Material:	C1008 Steel
Wire Dia (Ring):	1.8mm
Wire Dia (Rib):	2.3mm
Ring Spacing:	Meets 6.35mm plug gauge test
Separation Force:	220 lbs. on welds
Fits:	120mm (4.7") fans
Plating:	Black
Options:	Additional plating materials are available by special order.