



## GLP-III-635 100-300 mW



## Portable Red Diode Laser System

Portable 635nm Diode Laser System for professional application, featuring 4-way safety system, catch button for convenient operation, and LED status indicator

4-way safety system:

1. slideable front cover
2. key switch
3. remote connector
4. delayed emission start (~4s).

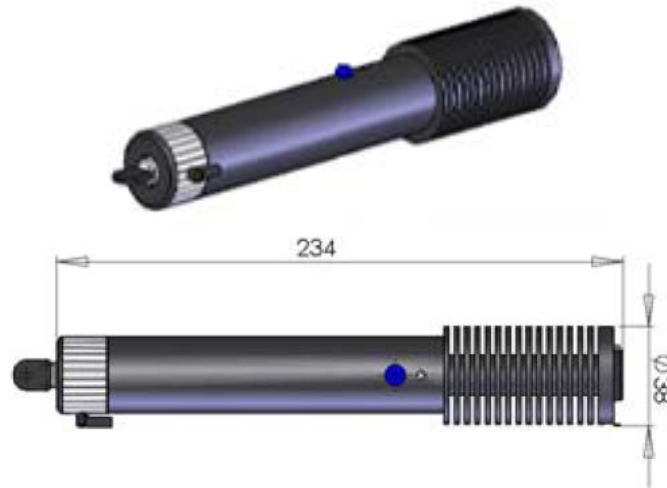


Specifications	
Wavelength	635 ±3 nm
Output Power	100 – 300 mW
Transverse Mode	TE <sub>00</sub>
Operating Mode	CW
Beam Divergence (full angle)	< 5 mrad
Beam Diameter (at the aperture)	~ 6 mm
Range in darkness	1000 - 10000 m
Power Supply	2 x "C" 1,5V battery (included)
<b>Max. continuous ON time</b>	<b>Device must be turned off if warmed considerably</b>
Expected Lifetime	5000 hours
<b>Warranty period</b>	<b>6 months</b>





## Dimensions



234 x 38 mm, 0.3 kg