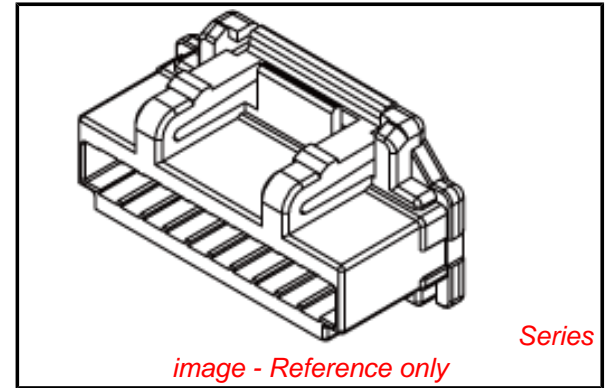


**PLEASE CHECK WWW.MOLEX.COM FOR LATEST PART INFORMATION**

**Part Number:** **503110-3000**  
**Status:** **Active**  
**Overview:** Duo-Clasp™ Wire-to-Board System  
**Description:** 1.25mm Pitch Duo-Clasp™ Wire-to-Board Housing, Dual Row, Positive Lock, 30 Circuits

**Documents:**

<a href="#">3D Model</a>	<a href="#">Application Specification AS-503110-002 (PDF)</a>
<a href="#">Drawing (PDF)</a>	<a href="#">Packaging Specification SPK-503110-001 (PDF)</a>
<a href="#">Product Specification PS-501931-002 (PDF)</a>	<a href="#">RoHS Certificate of Compliance (PDF)</a>
<a href="#">Application Specification AS-503110-001 (PDF)</a>	



**General**

Product Family	Crimp Housings
Series	503110
Application	Signal, Wire-to-Board
Overview	<a href="#">Duo-Clasp™ Wire-to-Board System</a>
Product Name	Duo-Clasp™
UPC	800756934129

**Physical**

Breakaway	No
Circuits (maximum)	30
Color - Resin	White
Gender	Plug
Glow-Wire Compliant	No
Keying to Mating Part	Yes
Lock to Mating Part	Yes
Net Weight	434.000/mg
Number of Rows	2
Packaging Type	Bag
Panel Mount	No
Pitch - Mating Interface	1.25mm
Pitch - Termination Interface	1.25mm
Polarized to Mating Part	Yes
Ports	1
Stackable	No
Temperature Range - Operating	-25°C to +85°C

**Electrical**

Current - Maximum per Contact	1A
-------------------------------	----

**Material Info**

**Reference - Drawing Numbers**

Application Specification	AS-503110-001, AS-503110-002
Packaging Specification	SPK-503110-001
Product Specification	PS-501931-002, RPS-501931-002, RPS-501931-003, RPS-501931-004, RPS-501931-007, RPS-501931-008
Sales Drawing	SD-503110-001

**EU RoHS**

**ELV and RoHS Compliant**  
**REACH SVHC Contains SVHC: No**  
**Low-Halogen Status**  
**Not Low-Halogen**

**China RoHS**



**Need more information on product environmental compliance?**

Email [productcompliance@molex.com](mailto:productcompliance@molex.com)  
 For a multiple part number RoHS Certificate of Compliance, [click here](#)

Please visit the [Contact Us](#) section for any non-product compliance questions.

**Search Parts in this Series**

503110Series

**Mates With**

501931 PCB Receptacle . 502046 PCB Receptacle

**Use With**

501930 Crimp Terminal