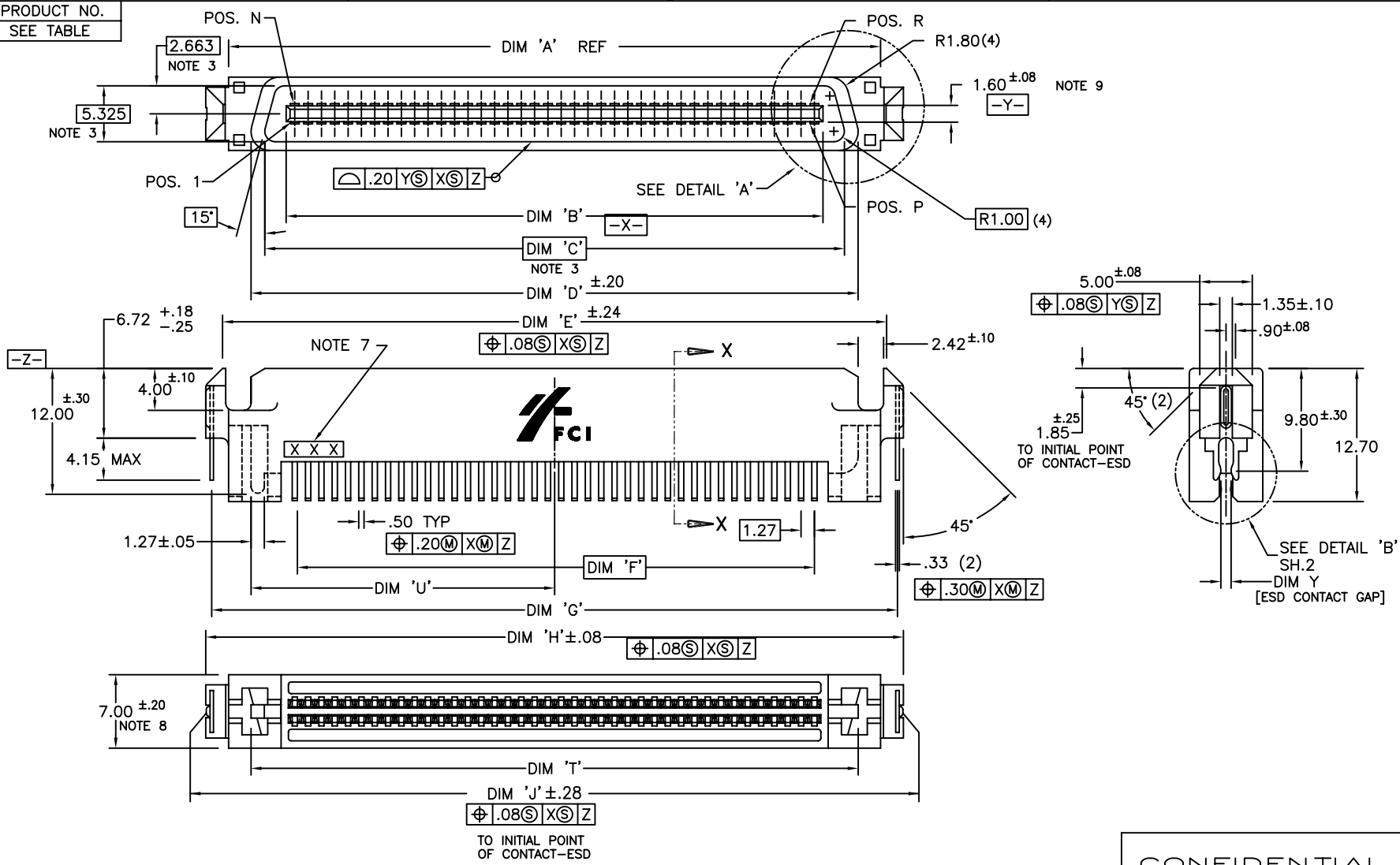


Tous droits strictement réservés. Reproduction ou communication à des tiers interdite sous quelque forme que ce soit sans autorisation écrite du propriétaire. Propriété de c FCI. Droits de reproduction FCI.

All rights strictly reserved. Reproduction or issue to third parties in any form whatever is not permitted without written authority from the proprietor. Property of FCI. Copyright FCI.

PRODUCT NO.
SEE TABLE



CONFIDENTIAL

mat'l. code				tolerances unless otherwise specified				CUSTOMER COPY		FCI www.fciconnect.com			
ltr	ecn no	dr	date	linear	.X ±.3	projection			title SCA2 PLUG CONNECTOR STRADDLE MOUNT				
L	S10131	GLL	11/12/01		.XX ±.13	MM							
M	S20041	GLL	4/22/02		.XXX ±.051		product family SCA-2 code - size dwg no 71292 sheet 1 of 4						
N	S03-0049	GLL	4/03/03	angles	0° ±2'								
P	S04-0058	GLL	3/30/04	dr	FUSSELMAN	9/22/95	scale 1:1						
R	S04-0246	GLL	11/18/04	enr	J.DAVID	9/22/95							
S	S05-0051	GLL	2/23/05	chr	GL L00	2/20/01							
				appd	JOEY NG	2/20/01							
sheet index	revision sheet	S 1	S 2	S 3	S 4								

cage code
22526

ACAD

PDM: Rev:S

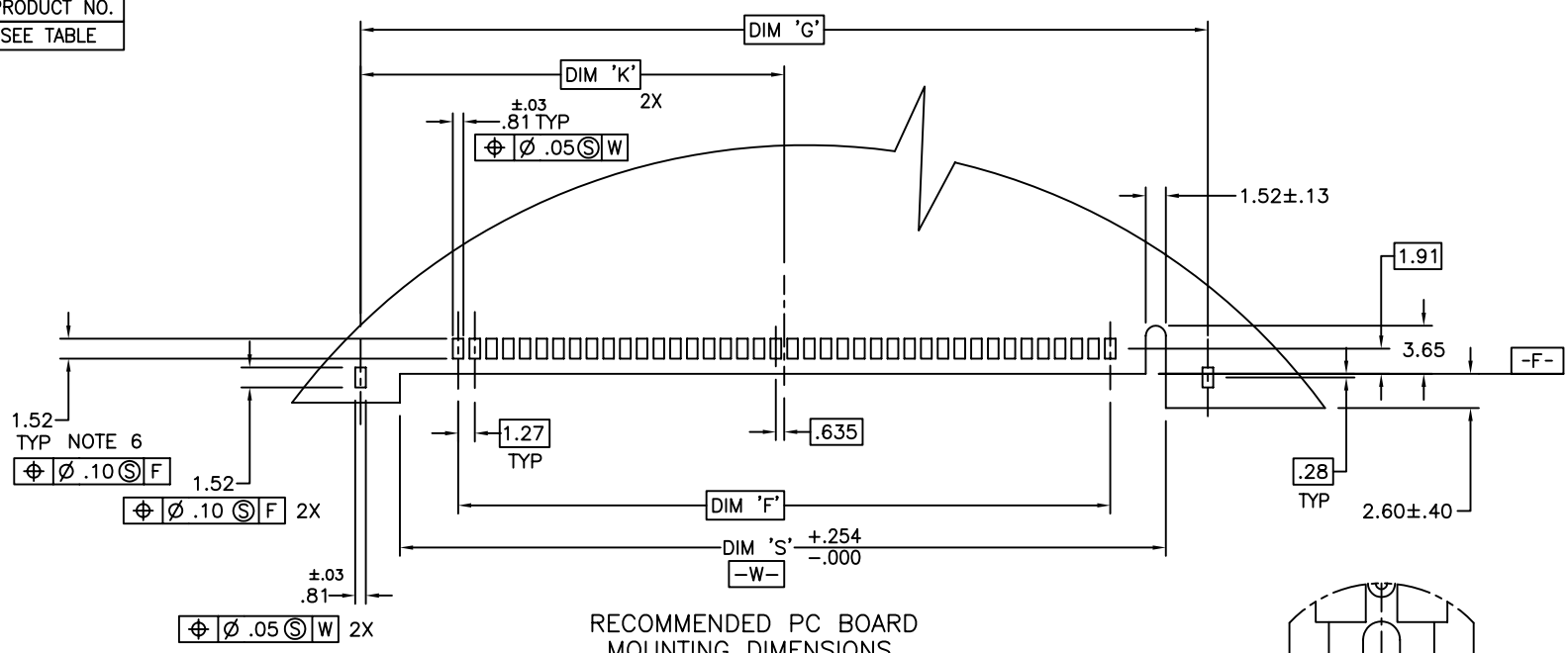
STATUS: Released

Printed: Sep 14, 2009

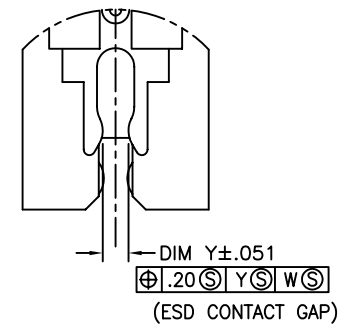
Tous droits strictement réservés. Reproduction ou communication à des tiers interdite sous quelque forme que ce soit sans autorisation écrite du propriétaire. Propriété de c FCI. Droits de reproduction FCI.

All rights strictly reserved. Reproduction or issue to third parties in any form whatever is not permitted without written authority from the proprietor. Property of FCI. Copyright FCI.

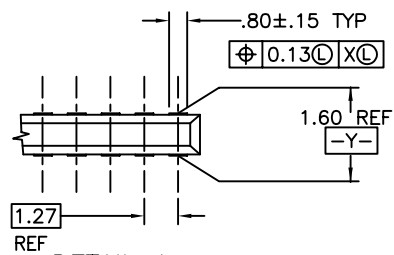
PRODUCT NO.
SEE TABLE



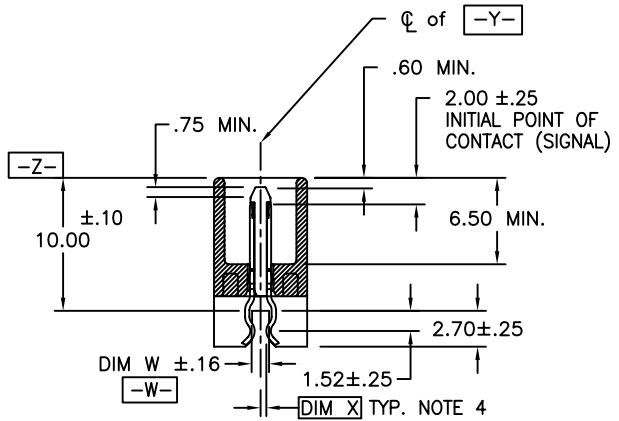
RECOMMENDED PC BOARD MOUNTING DIMENSIONS



DETAIL B
SCALE 2:1



DETAIL A
SCALE 2:1



SECTION X-X

CONFIDENTIAL

mat'l. code				tolerances unless otherwise specified		CUSTOMER COPY		 www.fciconnect.com		
ltr	ecn no	dr	date	linear	.X ±.3	projection		title		
S					.XX ±.13			SCA2 PLUG CONNECTOR STRADDLE MOUNT		
				angles	.XXX ±.051		MM	product family	code	
				dr	0° ±2'			SCA-2	-	
				enr	FUSSELMAN 9/22/95	scale	1:1	size	sheet	
				chr	J.DAVID 9/22/95			A	71292	2 of 4
				appd	GL LOO 2/20/01					
sheet index	revision sheet							cage code		
								22526		

ACAD

PDM: Rev:S

STATUS: Released

Printed: Sep 14, 2009

Tous droits strictement réservés. Reproduction ou communication à des tiers interdite sous quelque forme que ce soit sans autorisation écrite du propriétaire. Propriété de c FCI. Droits de reproduction FCI.

All rights strictly reserved. Reproduction or issue to third parties in any form whatever is not permitted without written authority from the proprietor. Property of FCI. Copyright FCI.

1 | 2

3 |

4

PRODUCT NO.	NO. POS.	DIM A REF	DIM B	DIM C	DIM D	DIM E	DIM F	DIM G	DIM H	DIM J	DIM K	POS. N	POS. P	POS. R	DIM S	DIM T	DIM U	DIM V	DIM W	DIM X	DIM Y	PLATING
71292-001																						
-001S	80	62.15	51.17	55.27	57.87	63.30	49.53	65.36	66.50	66.40	32.68	41	40	80	57.91	57.82	28.88	1.32	1.30	0.44	0.97	NOTE 2
-101S																						NOTE 10
71292-002																						
-002S	40	36.75	25.77	29.87	32.47	37.90	24.13	39.95	41.10	41.00	19.98	21	20	40	32.52	32.41	16.20	1.32	1.30	0.44	0.97	NOTE 2
-102S																						NOTE 10
71292-003S																						
-103S	80	62.15	51.17	55.27	57.87	63.30	49.53	65.36	66.50	66.40	32.68	41	40	80	57.91	57.82	28.88	1.83	1.83	0.72	1.52	NOTE 2
-103S																						NOTE 10
71292-004S																						
-104S	40	36.75	25.77	29.87	32.47	37.90	24.13	39.95	41.10	41.00	19.98	21	20	40	32.52	32.41	16.20	1.83	1.83	0.72	1.52	NOTE 2
-104S																						NOTE 10

NOTES:

- 1 HOUSING: LCP, UL94V-0 RATED, COLOR: BLACK
CONTACTS: PHOSPHOR-BRONZE
ESD CONTACT: PHOSPHOR-BRONZE
- 2 PLATING:
CONTACTS: 0.76µm (30µ") MIN GXT IN CONTACT AREA, 2.54µm (100µ") MIN TIN-LEAD ON P.C. BOARD LEG, 1.27µm (50µ") MIN NICKEL UNDERPLATE OVER ENTIRE TERMINAL.
ESD CONTACT: 2.54µm (100µ") MIN TIN-LEAD PLATING W/ 1.27µm (50µ") NICKEL UNDERPLATE
- 3 MEASURED AT THE FLOOR OF THE CAVITY MEASURED 6mm FROM DATUM $\begin{matrix} - \\ Z \\ - \end{matrix}$
- 4 APPLIES TO ALL SURFACES OF CONTACT TAILS.
- 5 MAXIMUM BOARD THICKNESS THAT CONNECTOR CAN ACCOMODATE IS DEFINED BY DIM 'V'.
- 6 THESE DIMENSIONS RESULT IN THE CONTACT RESTING IN CENTER OF PAD WIDTH. THESE DIMENSIONS ARE SUBJECT TO CHANGE DEPENDING ON CUSTOMER'S MANUFACTURING PREFERENCES IN PROCESS SOLDER PLACEMENT AND REFLOW.
- 7 DATE CODE IN THIS AREA
- 8 MEASUREMENT MADE AT CENTER OF PART, MAY BE AS LOW AS 6.55. DESIGN TO BE MADE TO ACHIEVE THE NOMINAL DIMENSION ACROSS THE ENTIRE PART.
- 9 DISTANCE MEASURED ACROSS CONTACT MATING SURFACES ALONG EFFECTIVE MATING AREA AND CONTACT MUST BE ABOVE PLASTIC ALONG EFFECTIVE MATING AREA.
- 10 PLATING:
CONTACTS: 0.76µm (30µ") MIN GOLD IN CONTACT AREA, 2.54µm (100µ") MIN TIN-LEAD ON P.C. BOARD LEG, 1.27µm (50µ") MIN NICKEL UNDERPLATE OVER ENTIRE TERMINAL.
ESD CONTACT: 2.54µm (100µ") MIN TIN-LEAD PLATING W/ 1.27µm (50µ") NICKEL UNDERPLATE
- 11. PART NUMBERS ENDING IN -0xx or -0xxS or -1xxS ARE MANUFACTURED WITH BRIGHT FINISH TIN-LEAD PLATING IN P.C. BOARD LEG AREA.

CONFIDENTIAL

mat'l. code				tolerances unless otherwise specified				CUSTOMER COPY		 www.fciconnect.com			
ltr	ecn no	dr	date	linear	.X ±.3			projection	title				
S					angles	.XXX ±.051			product family		SCA-2		
				dr	FUSSELMAN	9/22/95	MM		size		-		
				engr	J.DAVID	9/22/95			product family		SCA-2		code
				chr	GL LOO	2/20/01	scale	1:1	A		71292		
				appd	JOEY NG	2/20/01			sheet		3 of 4		
sheet index	revision sheet												

1 | 2

3 |

4

ACAD

PDM: Rev:S

cage code
22526

STATUS: Released

Printed: Sep 14, 2009

Tous droits strictement réservés. Reproduction ou communication à des tiers interdite sous quelque forme que ce soit sans autorisation écrite du propriétaire. Propriété de c FCI. Droits de reproduction FCI.



All rights strictly reserved. Reproduction or issue to third parties in any form whatever is not permitted without written authority from the proprietor. Property of FCI. Copyright FCI.

PRODUCT NO.	NO. POS.	DIM A REF	DIM B	DIM C	DIM D	DIM E	DIM F	DIM G	DIM H	DIM J	DIM K	POS. N	POS. P	POS. R	DIM S	DIM T	DIM U	DIM V	DIM W	DIM X	DIM Y	PLATING
71292-001LF	80	62.15	51.17	55.27	57.87	63.30	49.53	65.36	66.50	66.40	32.68	41	40	80	57.91	57.82	28.88	1.32	1.30	0.44	0.97	NOTE 16
-201LF																						NOTE 12
71292-002LF	40	36.75	25.77	29.87	32.47	37.90	24.13	39.95	41.10	41.00	19.98	21	20	40	32.52	32.41	16.20	1.32	1.30	0.44	0.97	NOTE 16
-202LF																						NOTE 12
71292-003LF	80	62.15	51.17	55.27	57.87	63.30	49.53	65.36	66.50	66.40	32.68	41	40	80	57.91	57.82	28.88	1.83	1.83	0.72	1.52	NOTE 16
-203LF																						NOTE 12
71292-004LF	40	36.75	25.77	29.87	32.47	37.90	24.13	39.95	41.10	41.00	19.98	21	20	40	32.52	32.41	16.20	1.83	1.83	0.72	1.52	NOTE 16
-204LF																						NOTE 12

NOTES:

- 12. PLATING: CONTACT: 0,76µm (30µ") MIN GOLD IN CONTACT AREA, 2.54µm (100µ") - 5.08µm (200µ") TIN (LEAD-FREE) ON P.C. BOARD LEG, 1.27µm (50µ") MIN. NICKEL UNDERPLATE OVER ENTIRE TERMINAL
ESD CONTACT: 2.54 µm (100µ") -5.08µm (200µ") TIN PLATING (LEAD-FREE) WITH 1.27µm (50µ") NICKEL UNDERPLATE
- 13. THE HOUSING WILL WITHSTAND EXPOSURE TO 260° C PEAK TEMPERATURE FOR 10 SECONDS IN A CONVECTION, INFRA-RED OR VAPOR PHASE REFLOW OVEN.
- 14. THIS PRODUCT MEETS EUROPEAN UNION DIRECTIVES AND OTHER COUNTRY REGULATIONS AS DESCRIBED IN GS-22-008.
- 15. PART NUMBERS ENDING IN "LF" MEANS FOR NOTE 14 LEAD FREE IDENTIFICATION. P/N XXXXX-2XXLF IS EQUIVALENT TO PREVIOUS P/N XXXXX-2XX .
- 16. PLATING: CONTACT: 0,76µm (30µ") MIN GXT IN CONTACT AREA, 2.54µm (100µ") - 5.08µm (200µ") TIN (LEAD-FREE) ON P.C. BOARD LEG, 1.27µm (50µ") MIN. NICKEL UNDERPLATE OVER ENTIRE TERMINAL
ESD CONTACT: 2.54 µm (100µ") -5.08µm (200µ") TIN PLATING (LEAD-FREE) WITH 1.27µm (50µ") NICKEL UNDERPLATE

CONFIDENTIAL

mat'l. code				tolerances unless otherwise specified				CUSTOMER COPY		www.fciconnect.com	
ltr	ecn no	dr	date	linear	.X ±.3			projection			
S					.XX ±.13					SCA2 PLUG CONNECTOR	
				angles	.XXX ±.051				STRADDLE MOUNT		
					0° ±2'				product family SCA-2		code
				dr	FUSSELMAN	9/22/95		← MM →	size		sheet
				engr	J.DAVID	9/22/95			71292		
				chr	GL LOO	2/20/01		scale	A		
				appd	JOEY NG	2/20/01			1:1		
sheet index	revision sheet										

cage code 22526

ACAD

PDM: Rev:S

STATUS: Released

Printed: Sep 14, 2009