

**PLEASE CHECK WWW.MOLEX.COM FOR LATEST PART INFORMATION**

**Part Number:** [63893-3200](#)  
**Status:** **Active**  
**Description:** Mini-Mac™ Applicator, Double 18 AWG, Two Wire with Insulation Diameter of 2.36-3.56mm

**Documents:**  
[RoHS Certificate of Compliance \(PDF\)](#)

**General**

Product Family	Application Tooling
Series	T9999
Comments	See Tooling Specification (PDF) Above
Function	Crimp
Geographic Area	Global
Level of Automation	Automatic, Semi-Automatic
More Detailed Tech Information	<a href="mailto:applicationtooling@molex.com">applicationtooling@molex.com</a>
Product Name	Mini-Mac™
Survey	<a href="http://www.molex.com//review/apptool_survey.html">www.molex.com//review/apptool_survey.html</a>
Tool Type	Mini-Mac Applicator
UPC	800756657035

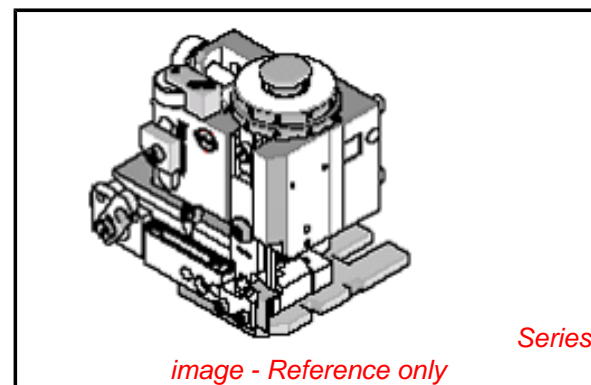
**Physical**

Net Weight 4824.855/g

**Material Info**

**Reference - Drawing Numbers**

Application Tooling Documents [ATS-638933200](#), [TM-638000100](#), [TM-638000100SP](#)



**EU RoHS**

**ELV and RoHS  
Compliant**

**REACH SVHC  
Not Reviewed**

**Low-Halogen Status  
Not Reviewed**

**China RoHS**



**Need more information on product  
environmental compliance?**

Email [productcompliance@molex.com](mailto:productcompliance@molex.com)  
 For a multiple part number RoHS Certificate of Compliance, [click here](#)

Please visit the [Contact Us](#) section for any non-product compliance questions.

**Search Parts in this Series**

[T9999Series](#)

**Use With**

Molex TM-3000™: [63801-7200](#) ,  
[63801-7300](#) , Molex TM-4000™:  
[63801-7600](#) , Molex TM-2000™:  
[63800-8300](#) , [63800-8400](#) , and Most  
 Industry Standard Presses or Wire Process  
 Machines