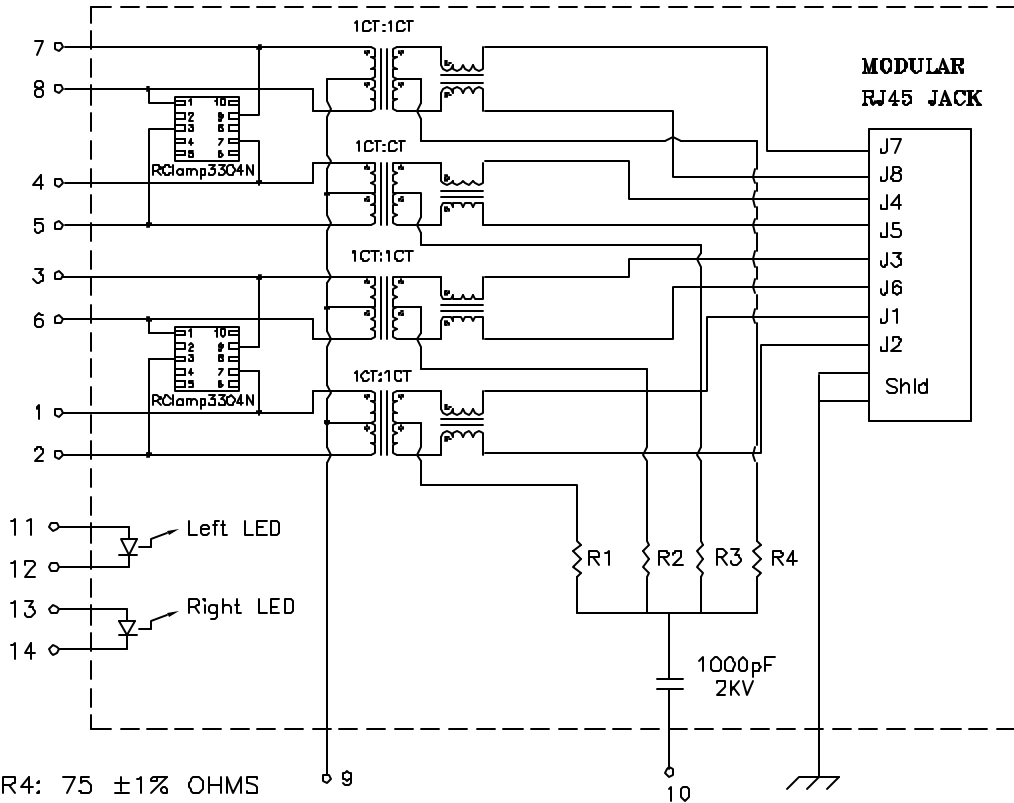


Schematic: (One of Four)



R1,R2,R3,R4: 75 ±1% OHMS

Electrical Specifications: @25°C

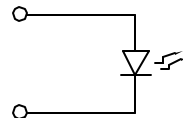
- ISOLATION: 1500 Vrms
- URNS RATIO: (PRI/SEC) 1CT:1CT ±2%
- OCL: 350uH MIN @100KHz 100mV 8mA DC
- Rise Time: 1.75ns Max.
- INSERTION LOSS: -1.0dB MAX @1MHz-100MHz
-1.5dB MAX @100-125MHz
- RETURN LOSS: -18dB Min @1-30MHz
-15dB Min @40MHz -13.1dB Min @50MHz
-12dB Min @60-80MHz -10dB Min @100MHz
- Differential to Common Mode Rejection:
-43dB Min @30MHz -37dB Min @80MHz
-33dB Min @100MHz
- CMRR: -30dB Min @1-100MHz
- Crosstalk: -45dB Min @30MHz
-40dB Min @60MHz -35dB Min @100MHz

Complete the Combo P/N as follows:

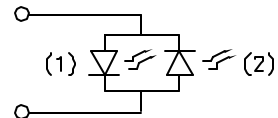
Replace 'x' & 'u' in the part number with one of the LED color letters:

- Y=Yellow
- G=Green
- A=Amber
- R=Red
- C=Green(1)/Amber(2) Bicolor
- D=Amber(1)/Green(2) Bicolor
- M=Green(1)/Yellow(2) Bicolor
- N=Yellow(1)/Green(2) Bicolor
- P=Red(1)/Green(2) Bicolor
- Q=Green(1)/Red(2) Bicolor
- 'x' = Left LED Color
- 'u' = Right LED Color

Single Color LED:



Bi-Color LED:



Notes:

1. Solderability: Leads shall meet MIL-STD-202G, Method 208H for solderability.
2. Flammability: UL94V-0
3. ASTM oxygen index: > 28%
4. Insulation System: Class F 155°C, UL file E151556
5. Operating Temperature Range: All listed parameters are to be within tolerance from -40°C to +85°C
6. Storage Temperature Range: -55°C to +125°C
7. Aqueous wash compatible
8. Electrical and mechanical specifications 100% tested
9. RoHS Compliant Component
10. Designed to meet GR1089 Intra-Building Standards

DOC REV.: A/2

XFMRS Inc.
www.XFMRS.com

Title: QUAD PORT LED COMBO

UNLESS OTHERWISE SPECIFIED TOLERANCES:

.xxx ±0.010

Dimensions in Inch

SHEET 1 OF 2

P/N: XFGIB100BATVS-CLXu4-4MS

REV. A

DWN. Juan Mao Jan-04-08

CHK. YK Liao Jan-04-08

APP. MS Jan-04-08

PROPRIETARY:

Document is the property of XFMRS Group & is not allowed to be duplicated without authorization.

