

Marketing Bulletin

DATE: December 27th, 2006

TO: All Sales Personnel

FROM: Mark Stoner

RE: Product Termination

To all concerned parties,

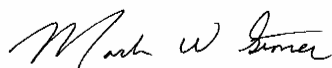
This bulletin is to notify all customers of the discontinuation of the following Ecliptek series effective December 27th, 2006:

Series	Description	Recommended Replacement
EC16	5V 14 pin DIP Oscillator	EB51F3 or EB51F5

In compliance with our End of Life (EOL) policy, this will serve as advanced notice of product termination. New orders will not be accepted after March 31st, 2007, with delivery to conclude by June 30th 2007.

If there are any questions pertaining to this bulletin, please feel free to contact me. Thank you again for your cooperation.

Best Regards,

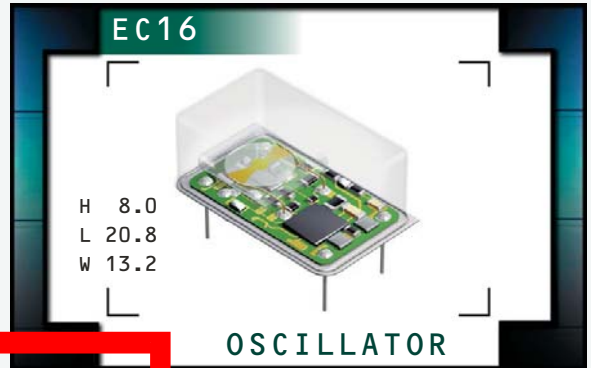


Mark W. Stoner
Vice President of Marketing
Ecliptek Corporation

EC16 Series



- RoHS Compliant (Pb-free)
- HCMOS/TTL output
- 5.0V supply voltage
- 14 pin DIP package
- Stability to ± 5 ppm
- Custom lead length, gull wing option available



OBSOLETE

ELECTRICAL SPECIFICATIONS

Frequency Range (MHz)		1.000MHz to 46.000MHz	
Operating Temperature Range		Per Table 1	
Storage Temperature Range		-55°C to 125°C	
Supply Voltage (V_{DD})		5.0V _{DC} $\pm 10\%$	
Input Current	1.000MHz to 20.000MHz	15mA Maximum	
	20.001MHz to 46.000MHz	40mA Maximum	
Frequency Tolerance / Stability	vs. Operating Temperature Range	Per Table 1	
	vs. Input Voltage (V _{DD} $\pm 5\%$)	± 2.0 ppm Maximum	
	vs. Load (± 2 pF ± 1 TTL)	± 1.0 ppm Maximum	
Internal Trim (Top of Can)		± 5 ppm Minimum	
Output Voltage Logic High (V_{OH})	w/TTL Load	2.4V _{DC} Minimum	I _{OH} = -16mA
	w/HCMOS Load	V _{DD} -0.5V _{DC} Minimum	I _{OH} = -16mA
Output Voltage Logic Low (V_{OL})	w/TTL Load	0.4 V _{DC} Maximum	I _{OL} = +16mA
	w/HCMOS Load	0.5V _{DC} Maximum	I _{OL} = +16mA
Rise Time / Fall Time	at 50% of Waveform w/HCMOS Load or at 1.4V _{DC} w/TTL Load	6 nSeconds Maximum	
Duty Cycle	at 1.4V _{DC} w/HCMOS Load or w/TTL Load	50 ± 10 (%) (Standard)	
	10% to 90% of Waveform w/HCMOS Load or 0.4V _{DC} to 2.4V _{DC} w/TTL Load	50 ± 5 (%) (Optional)	
Load Drive Capability		10TTL Load or 50pF HCMOS Load	
Tri-State Input Voltage	V _{IH} : No Connection	Enables Output	
	V _{IH} : ≥ 2.2 V _{DC}	Enables Output	
	V _{IL} : ≤ 0.8 V _{DC}	Disables Output: High Impedance	
Aging (at 25°C)		± 1 ppm / year Maximum	
Start Up Time		10 mSeconds Maximum	
Period Jitter: Absolute		± 100 pSeconds Maximum	
Period Jitter: One Sigma		± 25 pSeconds Maximum	

MANUFACTURER ECLIPTEK CORP.	CATEGORY OSCILLATOR	SERIES EC16	PACKAGE 14 pin DIP	VOLTAGE 5.0V	CLASS OS34	REV. DATE 08/06
--------------------------------	------------------------	----------------	-----------------------	-----------------	---------------	--------------------

PART NUMBERING GUIDE

EC16 07 A R TS - 24.000M - CL125

FREQUENCY STABILITY
2 Digit Code Per Table 1

OPERATING TEMPERATURE RANGE
1 Letter Code Per Table 1

INTERNAL TRIM OPTIONS
Blank=No Internal Trim
R=±5ppm Minimum (Top of Can)

DUTY CYCLE
Blank=50 ±10(%) (Standard)
T=50 ±5(%)

AVAILABLE OPTIONS

Blank=None (Standard)
CLXXX=Custom Lead Length (See Page 133)
G=Full Size Gull Wing (See Page 132)

FREQUENCY

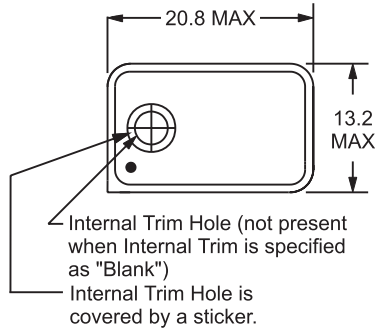
OUTPUT CONTROL FUNCTION
TS=Tri-State Enable High

OBSOLETE

TABLE 1: PART NUMBERING CODES

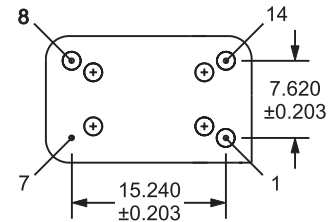
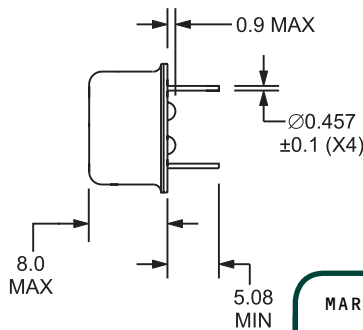
Operating Temperature Range	Code	Frequency Stability				
		X = Availability with Internal Trim Option "Blank" Y = Availability with Internal Trim Option "R"				
		±5ppm	±7ppm	±10ppm	±15ppm	±20ppm
0°C to +50°C	A	Y	X, Y	X, Y	X, Y	X, Y
-10°C to +60°C	B		X, Y	X, Y	X, Y	X, Y
-20°C to +70°C	C			X, Y	X, Y	X, Y
-40°C to +85°C	D					X, Y

MECHANICAL DIMENSIONS
ALL DIMENSIONS IN MILLIMETERS



Pin 1: Tri-State
Pin 7: Case Ground

Pin 8: Output
Pin 14: Supply Voltage



MARKING SPECIFICATIONS

Line 1: ECLIPTEK
Line 2: EC16 TS
 Output Control Function
 TS = Tri-State Enable High
 Series Designator
Line 3: XX.XXX M
 Frequency in MHz
 (5 Digits Maximum + Decimal)
Line 4: XX Y ZZ
 Week of Year
 Last Digit of Year
 Ecliptek Manufacturing Identifier

Note: Pin 1 shall be designated with a dot

ENVIRONMENTAL/MECHANICAL SPECIFICATIONS

Characteristic	Specification
Mechanical Shock	MIL-STD-202, Method 213, Condition C
Vibration	MIL-STD-883, Method 2007, Condition A
Lead Integrity	MIL-STD-883, Method 2004
Solderability	MIL-STD-883, Method 2002
Temperature Cycling	MIL-STD-883, Method 1010
Resistance to Soldering Heat	MIL-STD-883, Method 210
Resistance to Solvents	MIL-STD-883, Method 215

MANUFACTURER	CATEGORY	SERIES	PACKAGE	VOLTAGE	CLASS	REV. DATE
ECLIPTEK CORP.	OSCILLATOR	EC16	14 pin DIP	5.0V	OS34	08/06