

KR Electronics, Inc.

General Description

KR Electronics part number 3367-SMA is a group delay equalized 25 MHz Bandpass filter. The filter has a minimum 1 dB bandwidth of 12.5 MHz. max. Other center frequencies and bandwidths are available. Please consult the factory.

Features

- 25 MHz Bandpass Filter
- Group Delay Equalized
- 1 dB Bandwidth 12.5 MHz min
- 30 dB Bandwidth 24 MHz typical
- 50 Ω Source and Load
- Selective Elliptic Type Design
- SMA Connectors
- Surface Mount Available

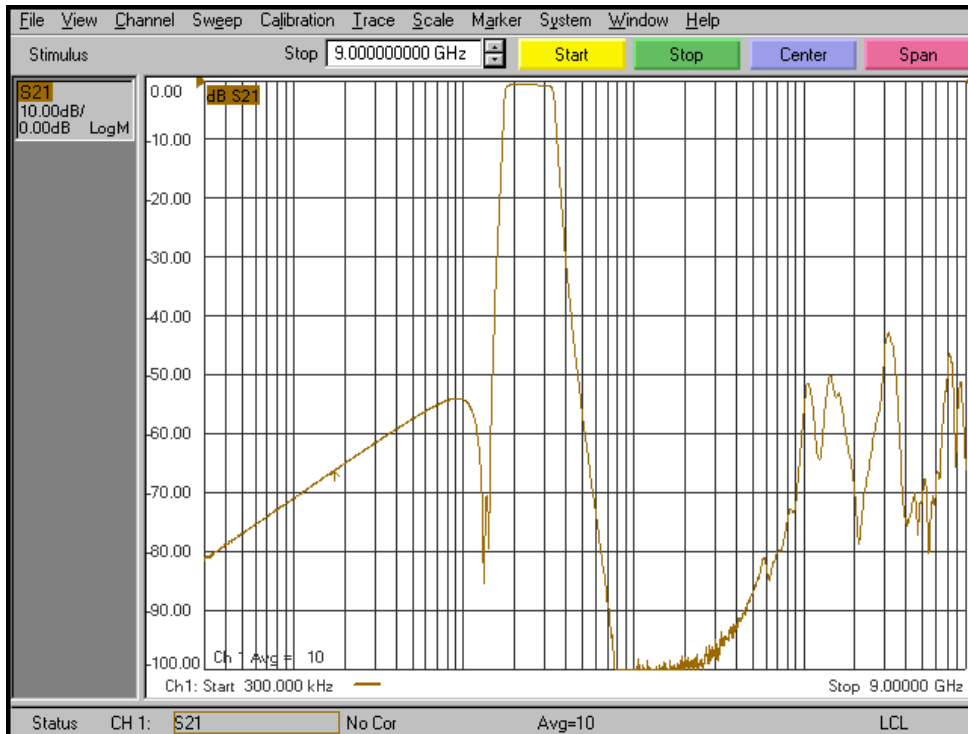
Typical Performance



KR Electronics, Inc.
91 Avenel Street
Avenel, NJ 07001

Web www.krfilters.com
Email sales@krfilters.com
Phone (732) 636-1900
Fax (732) 636-1982

KR Electronics 3367-SMA



KR Electronics, Inc.
91 Avenel Street
Avenel, NJ 07001

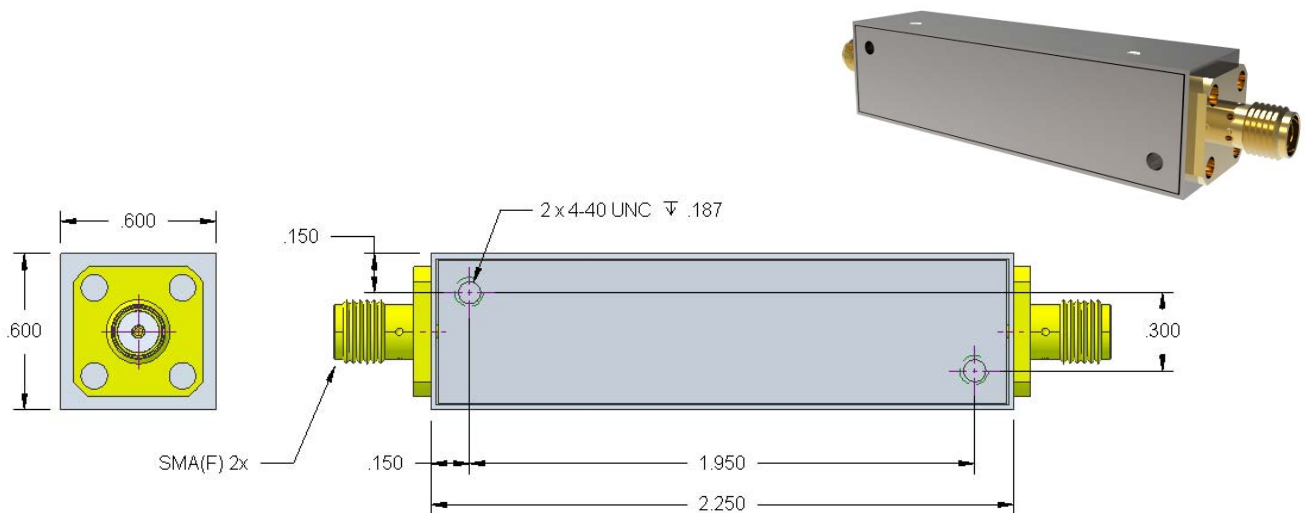
Web www.krfilters.com
Email sales@krfilters.com
Phone (732) 636-1900
Fax (732) 636-1982

KR Electronics 3367-SMA

Specifications

Parameter	Specification	Notes
Filter type	Bandpass	
Center Frequency	25 MHz	
Insertion Loss	2 dBa max	0.7 dBa typical
1 dBc Bandwidth	12.5 MHz min	15 MHz typical
Deviation from Linear Phase (21 to 29 MHz)	$\pm 2^\circ$ max	
Rejection at 14.5 MHz & below	30 dBc min	>50 dBc typical
Rejection 50 MHz to 1000 MHz	30 dBc min	>50 dBc typical
Source and Load	50 Ω	

Physical Dimensions



Notes:

1. Dimensions in inches
2. Rectangular case
3. Also available in surface mount package