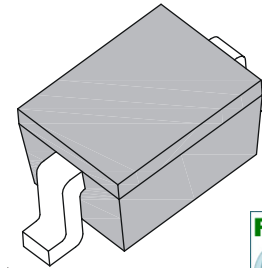


## Two Terminals SMD Switching Diodes

### Features

- Fast Switching Speed
- High Conductance
- Electrically Identical to Standard JEDEC
- RoHS compliant



SOD-323



### Mechanical Data

<b>Case:</b>	SOD-323, Plastic Case
<b>Terminals:</b>	Solderable per MIL-STD-202G, Method 208
<b>Weight:</b>	0.0041 gram

### Maximum Ratings & Electrical Characteristics ( $T_{Ambient}=25^{\circ}C$ unless noted otherwise)

Symbol	Description	1N4148WS	1N4448WS	BAV16WS	Unit	Conditions
	Marking Code	A2	A3	A6		
<b>V<sub>RM</sub></b>	Reverse Voltage	75			V	
<b>V<sub>RRM</sub></b>	Peak Reverse Voltage	100			V	
<b>I<sub>F(AV)</sub></b>	Forward Average Current	150			mA	Valid provided that electrodes are kept at ambient temperature
<b>I<sub>FSM</sub></b>	Peak Forward Surge Current, Pulse Width=1.0us	2.0			A	
<b>P<sub>D</sub></b>	Power Dissipation above 25°C	200			mW	
<b>V<sub>F</sub></b>	Forward Voltage	Min	---	0.62 @ 5mA	---	V
		Max	1.0 @ 10mA	0.72 @ 5mA	0.855 @ 10mA	
				1.0 @ 100mA	0.715 @ 1mA	
					1.0 @ 50mA	
				1.25 @ 150mA		
<b>I<sub>R</sub></b>	Max. Reverse Current	0.025 @ 20V	0.025 @ 20V	1.0 @ 75V	μA	
		5.0 @ 75V	5.0 @ 75V			
<b>C<sub>D</sub></b>	Diode Capacitance	4.0	4.0	2.0	pF	V <sub>R</sub> =0V, f=1MHz
<b>T<sub>rr</sub></b>	Reverse Recovery Time	4.0	4.0	6.0	ns	I <sub>F</sub> = 10mA, I <sub>R</sub> =1mA, V <sub>R</sub> =6V, R <sub>L</sub> =100Ω
<b>T<sub>J</sub>, T<sub>STG</sub></b>	Operating Junction and Storage Temperature Range	-65 to +175			°C	

# Two Terminals SMD Switching Diodes

## 1N4148WS/1N4448WS/BAV16WS

### Typical Characteristics Curves

Fig.1- Forward Power Dissipation Derating Curve

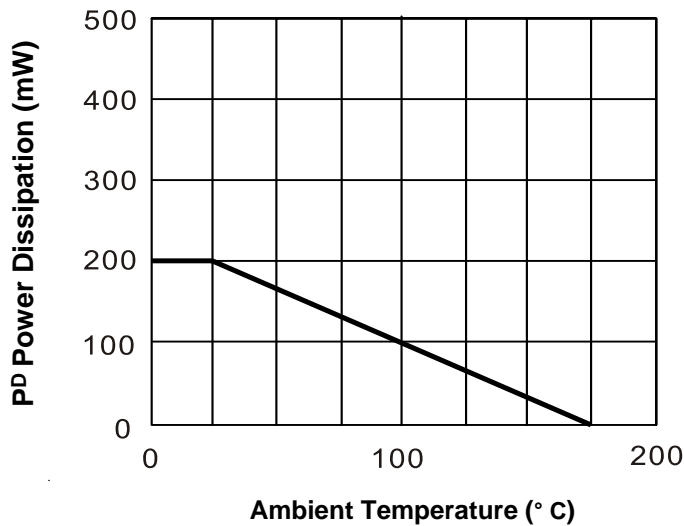


Fig.2- Typical Instantaneous Forward Characteristics

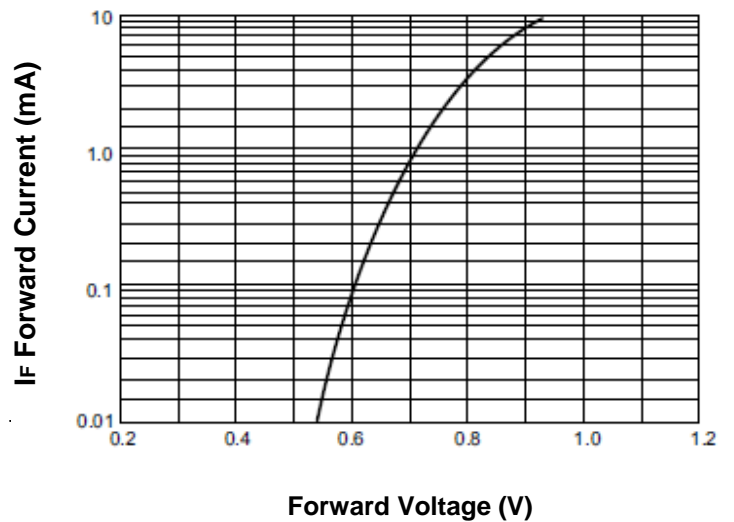


Fig.3- Junction Capacitance Curve

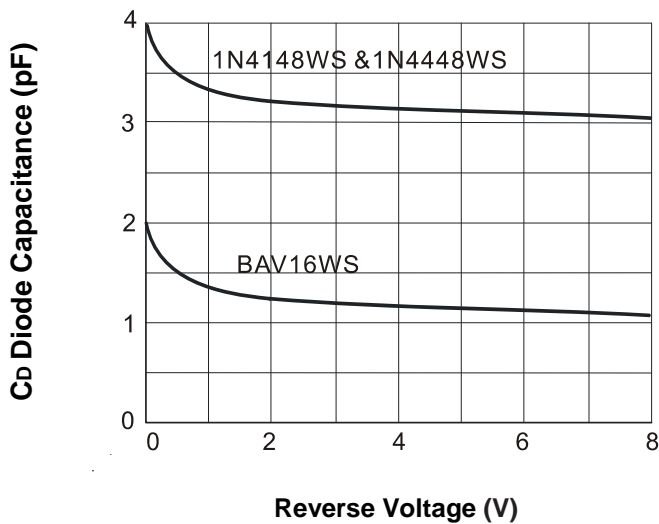
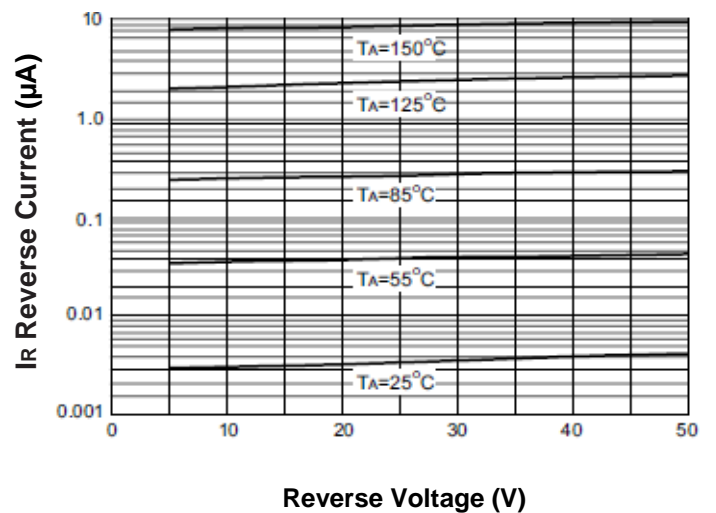


Fig.4- Typical Instantaneous Reverse Characteristics

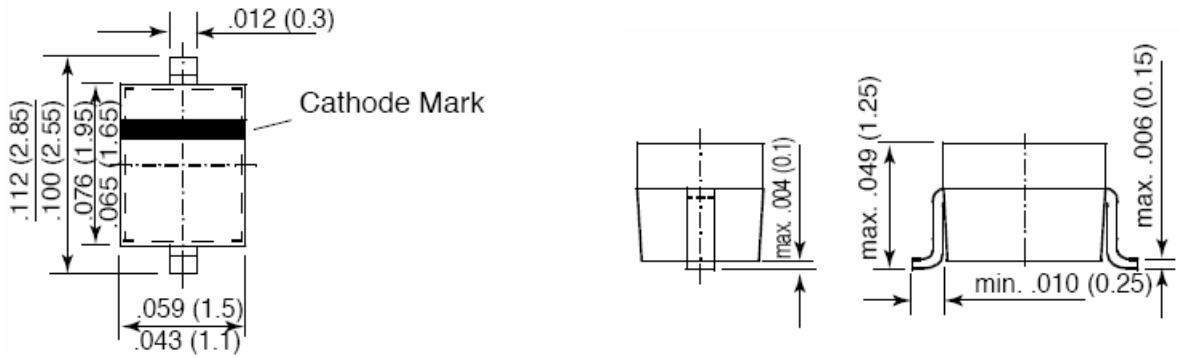


## Two Terminals SMD Switching Diodes

### 1N4148WS/1N4448WS/BAV16WS

#### Dimensions in inch (mm)

#### SOD-323

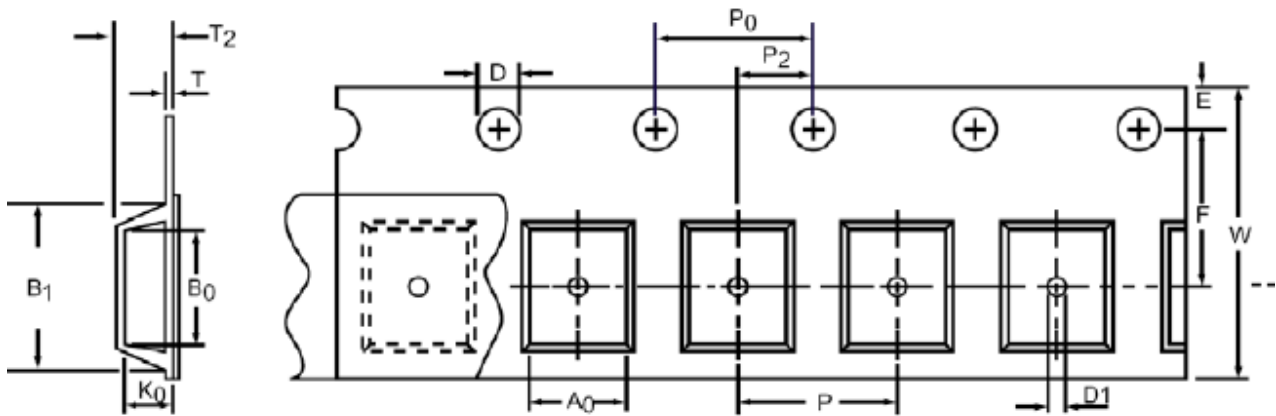


## Two Terminals SMD Switching Diodes

### 1N4148WS/1N4448WS/BAV16WS

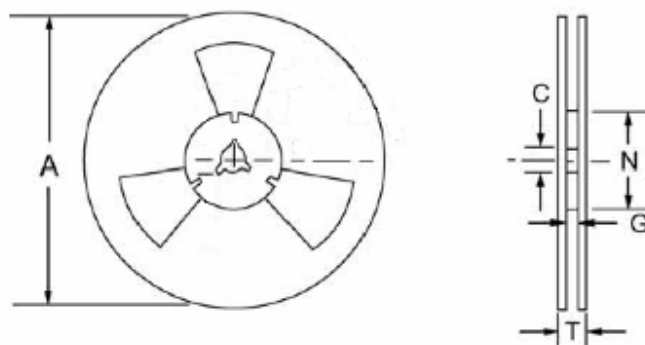
#### Packing Information:

#### Carrier Tape Dimensions (in mm)



Product Type	D	P0	P	W	E	A0	B0
		1.55±0.05	4.0±0.10	4.0±0.10	8.0+0.15/-0.3	1.75±0.10	1.50±0.10
SOD-323	B1	T	T2	D1	F	K0	P2
	4.0±0.10	0.20±0.05	1.2±0.1	1.0±0.10	3.5±0.05	0.95±0.10	2.0±0.05

#### Reel Dimensions (in mm)



A	C	G	N	T
178.0±2.0	13.5±1.0	9.9 max.	50 min.	14.4 max.

## Two Terminals SMD Switching Diodes

### 1N4148WS/1N4448WS/BAV16WS

#### Packing Quantity Information:

Quantity	PCS per Inner Box	PCS per Carton
TR70 Tape & Reel	5000/Reel	400000

#### Carton Size Information:

Cartoon Size
390X270X400( in mm)

#### How to contact us:

##### US HEADQUARTERS

28040 WEST HARRISON PARKWAY, VALENCIA, CA 91355-4162

Tel: (800) TAITRON (800) 824-8766 (661) 257-6060

Fax: (800) TAITFAX (800) 824-8329 (661) 257-6415

Email: [taitron@taitroncomponents.com](mailto:taitron@taitroncomponents.com)

Http://[www.taitroncomponents.com](http://www.taitroncomponents.com)

##### TAITRON COMPONENTS MEXICO, S.A .DE C.V.

BOULEVARD CENTRAL 5000 INTERIOR 5 PARQUE INDUSTRIAL ATITALAQUIA, HIDALGO C.P.

42970 MEXICO

Tel: +52-55-5560-1519

Fax: +52-55-5560-2190

##### TAITRON COMPONENTS INCORPORATED REPRESENTAÇÕES DO BRASIL LTDA

RUA DOMINGOS DE MORAIS, 2777, 2.ANDAR, SALA 24 SAÚDE - SÃO PAULO-SP 04035-001 BRAZIL

Tel: +55-11-5574-7949

Fax: +55-11-5572-0052

##### TAITRON COMPONENTS INCORPORATED, SHANGHAI REPRESENTATIVE OFFICE

CROSS REGION PLAZA, 899 LINLING ROAD, SUITE 18C, SHANGHAI, 200030, CHINA

Tel: +86-21-5424-9942

Fax: +86-21-5424-9931