

Marketing Bulletin

DATE: Thursday, November 11, 1999
TO: Affected Customers
FROM: Marketing
RE: EC24 Series Termination

To all concerned parties,

This bulletin is to notify all customers of the discontinuation of the EC24 series Ecliptek oscillator effective Thursday, November 11, 1999.

In compliance with our End of Life (EOL) policy, this notice will serve as advanced notice of product termination. New orders will not be accepted after Friday, February 11, 2000, with delivery to be conclude by Wednesday, May 10, 2000.

The EC26 series is a recommended alternate for the EC24 series. This may not be an exact cross, so it is highly recommended that the data sheet(s) of the recommended alternate are reviewed and samples tested to ensure conformance.

If there are any questions pertaining to this bulletin, please contact your Ecliptek sales representative. Thank you again for your cooperation.

Ecliptek Marketing

STANDARD SPECIFICATIONS

Frequency Range:	1.500MHz to 66.666MHz	ORIGINAL IF IN RED
Frequency Tolerance/Stability:	(All Values Inclusive of Operating Temp. Range, Supply Voltage, and Load)	
00 45	±100ppm Maximum ±50ppm Maximum	
Operating Temperature Range	0°C to +70°C	OBSOLETE
Storage Temperature Range	-55°C to +125°C	
Supply Voltage (Vdd)	3.0Vdc ±10%	
Input Current	8mA Maximum Over 1.500MHz to 34.000MHz 12mA Maximum Over 34.001MHz to 50.000MHz 20mA Maximum Over 50.001MHz to 66.666MHz	
Output Voltage Logic High	90% of Vdd Minimum	
Output Voltage Logic Low	10% of Vdd Maximum	
Rise/Fall Time	15nSec Max. (Measured at 10% to 90% of waveform)	
Duty Cycle	50% ±10% (@ 50% of waveform)	
Load Drive Capability		
Blank Y	15pF HCMOS Load Maximum 50pF HCMOS Load Maximum	
Aging @ 25°C	±5ppm/year	
Pin 1 Connection		
Blank TS	No Connect Tri-State (High Impedance)	
Tri-State Input Voltage (V _{IH} & V _{IL})	+2.7Vdc Min. to Enable Output, +0.3Vdc Max. to Disable Output (High Impedance), No Connect to Enable Output	

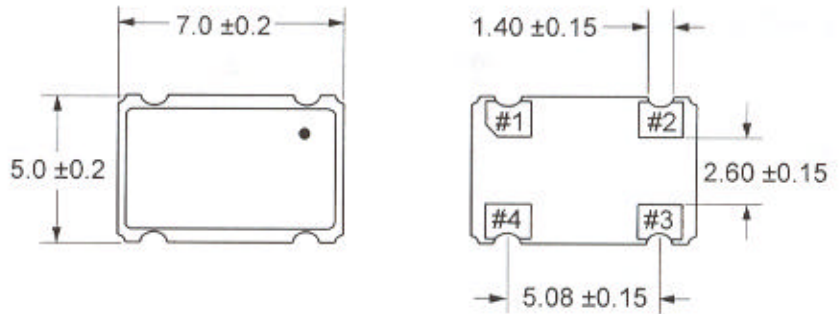
ENVIRONMENTAL & MECHANICAL

Shock:	Conditions and Criteria Listed in TQC41-883-007
Vibration:	Conditions and Criteria Listed in TQC41-883-008
Seal Integrity:	Conditions and Criteria Listed in TQC41-883-003
Solderability:	Conditions and Criteria Listed in TQC41-883-004 / 95% coverage
Marking Permanency:	Conditions and Criteria Listed in TQC41-883-001

PART NUMBERING GUIDE

25EC24 00 TS Y - 40.000M TR — Packaging Options
See Packaging Options Below.

- Frequency
- Load Drive Capability
Blank = 15pF HCMOS Load Maximum
Y = 50pF HCMOS Load Maximum
- Pin 1 Connection
Blank = No Connect
TS = Tri-State (High Impedance)
- Frequency Tolerance/Stability
00 = ±100ppm Maximum
45 = ±50ppm Maximum



MARKING GUIDE

(Line #1) **EC24 TS**

— Pin 1 Connection
Blank = No Connect
TS = Tri-State



(Line #2) **W XX.XX**

— Frequency (MHz)
— Frequency Tolerance/Stability
0 = ±100ppm Maximum
5 = ±50ppm Maximum

PIN	CONNECTION
1	No Connect or Tri-State
2	Ground/Case Ground
3	Output
4	Supply Voltage

ALL DIMENSIONS
IN MILLIMETERS

NOTE: Pin 1 shall be marked with a dot.
Marking shall conform to conditions listed in TQC41-001-000.

PACKAGING OPTIONS

Blank = Bulk
TR = Tape & Reel (CPA70-171-000)

SOURCE CONTROL DRAWING

	Drawing Number CSC13-011-000
	Title 1.6mm 3.0Vdc Ceramic Surface Mount Oscillator