

PLEASE CHECK WWW.MOLEX.COM FOR LATEST PART INFORMATION

Part Number: [0436400209](#)
Status: **Active**
Overview: [microfit_30](#)
Description: 3.00mm (.118") Pitch Micro-Fit 3.0™ Plug Housing, Single Row, without Panel Mount Ears, 2 Circuits, Glow Wire Compatible

Documents:

[3D Model](#) [Product Specification PS-43650 \(PDF\)](#)
[Drawing \(PDF\)](#) [RoHS Certificate of Compliance \(PDF\)](#)

Agency Certification

CSA LR19980
TUV R72081037
UL E29179

General

Product Family Crimp Housings
Series [43640](#)
Overview [microfit_30](#)
Product Name Micro-Fit 3.0™

Physical

Circuits (maximum) 2
Color - Resin Black
Flammability 94V-0
Gender Male
Glow-Wire Compliant Yes
Keying to Mating Part None
Lock to Mating Part Yes
Material - Resin Polyester
Number of Rows 1
Packaging Type Bag
Panel Mount No
Pitch - Mating Interface (in) 0.118 In
Pitch - Mating Interface (mm) 3.00 mm
Polarized to Mating Part No
Stackable No
Temperature Range - Operating -40°C to +105°C

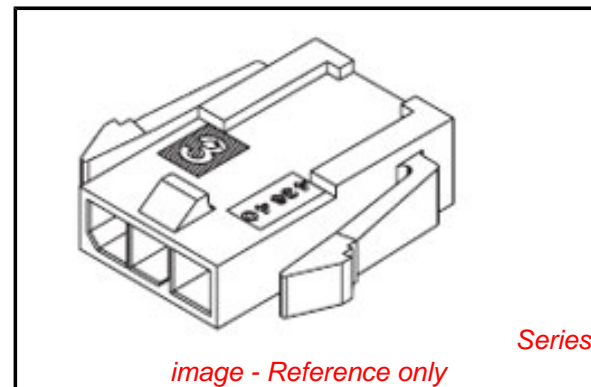
Electrical

Current - Maximum per Contact 5A

Material Info

Reference - Drawing Numbers

Product Specification PS-43650
Sales Drawing SD-43640-001



EU RoHS

**ELV and RoHS
Compliant**
**REACH SVHC
Contains SVHC: No**
**Halogen-Free
Status**

China RoHS



**Need more information on product
environmental compliance?**

Email productcompliance@molex.com
For a multiple part number RoHS Certificate of Compliance, [click here](#)

Please visit the [Contact Us](#) section for any non-product compliance questions.

Search Parts in this Series

[43640Series](#)

Mates With

Micro-Fit 3.0™ Receptacle Housing [43645](#)

Use With

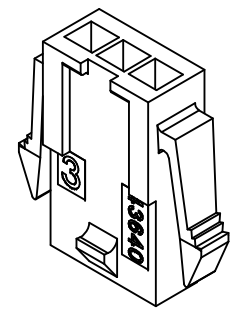
Micro-Fit 3.0™ Crimp Terminal [43031](#)

X-FACTORY	ASSEMBLY ITEM NUMBER	PART CHARACTERISTICS NUMBER OF POSITION
	43640-0208	02
	43640-0308	03
	43640-0408	04
X		05
	43640-0608	06
	43640-0708	07
X		08
X		09
X		10
X		11
X		12

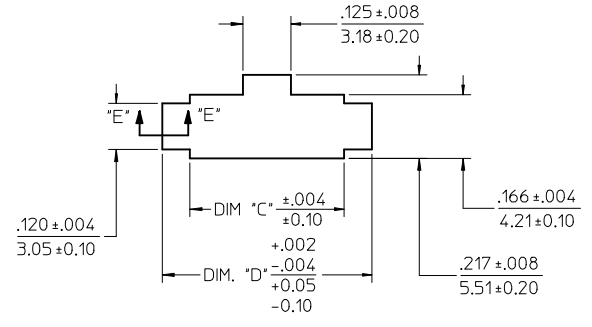
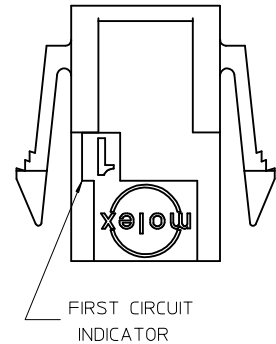
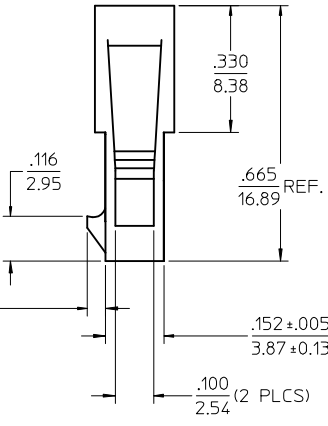
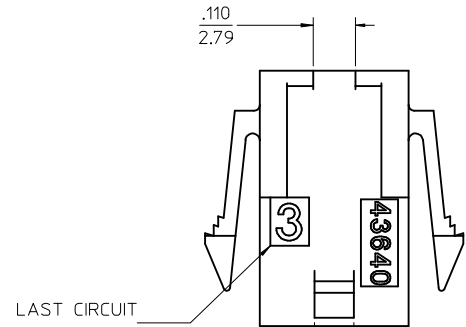
CKT. NO.	DIM. "A"	DIM. "B"	DIM. "C"	DIM. "D"
2	.270/6.85	.118/3.00	.284/7.21	.429/10.90
3	.388/9.85	.236/6.00	.402/10.21	.547/13.89
4	.506/12.85	.354/9.00	.520/13.21	.665/16.89
5	.624/15.85	.472/12.00	.638/16.21	.783/19.89
6	.742/18.85	.591/15.00	.756/19.21	.901/22.89
7	.860/21.85	.709/18.00	.874/22.20	1.019/25.88
8	.978/24.85	.827/21.00	.992/25.20	1.137/28.88
9	1.096/27.85	.945/24.00	1.110/28.20	1.255/31.88
10	1.215/30.85	1.063/27.00	1.229/31.22	1.373/34.87
11	1.333/33.85	1.181/30.00	1.347/34.22	1.491/37.87
12	1.451/36.85	1.299/33.00	1.465/37.22	1.609/40.87

NOTES:

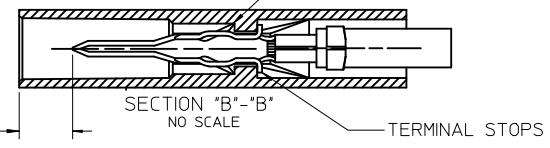
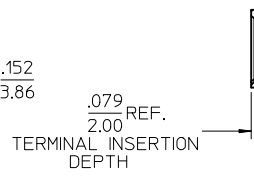
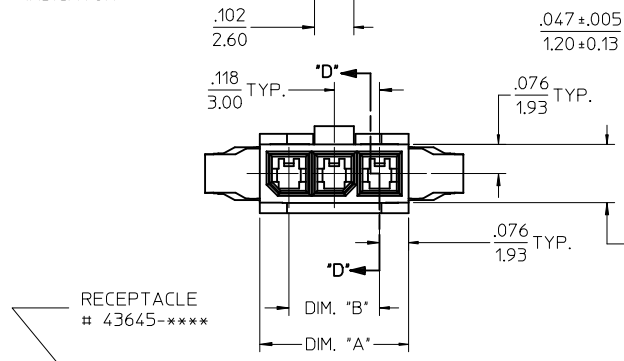
- HOUSING MATERIAL: UNFILLED NYLON 6, RATED UL94V-0, IEC 60335-1, 4TH EDITION GLOW WIRE CAPABLE, COLOR IS BLACK.
- FINISH: NONE
- PRODUCT SPECIFICATION: PS-43650
- PACKAGING SPECIFICATION: NONE
- THIS HOUSING MATES WITH MICRO-FIT RECEPTACLE #43645-****.
- THIS HOUSING IS DESIGNED IN METRIC
- THIS HOUSING TO BE USED WITH MOLEX MALE TERMINAL #43031-****.
- PLUG DESIGNED FOR .062/1.57 TO .090/2.30 THICK STAMPED PANEL OR P.C.BOARD.
- SEE SECTION "D"- "D" FOR TERMINAL ORIENTATION IN HOUSING.
- SEE SHEET 2 FOR PLUG WITHOUT PANEL MOUNTS.
- PANEL MOUNT FEATURES MUST LOCK ON SIDE OPPOSITE PUNCH SIDE FOR OPTIMUM RETENTION.
- THIS PART CONFORMS TO CLASS B REQUIREMENTS OF COSMETIC SPECIFICATION PS-45499-002.



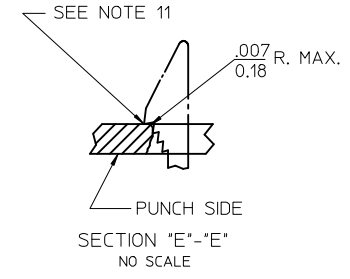
PLUG WITH PANEL MOUNTS



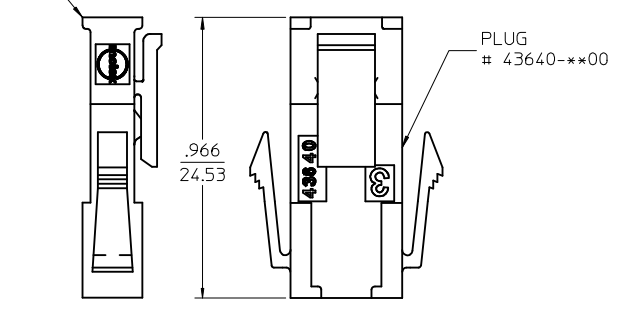
RECOMMENDED PANEL CUT-OUT



TERMINAL LOCKING TABS MUST BE FULLY SEATED TO HOUSING BEFORE MATING WITH OTHER HALF OF CONNECTOR SYSTEM.



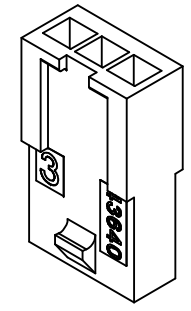
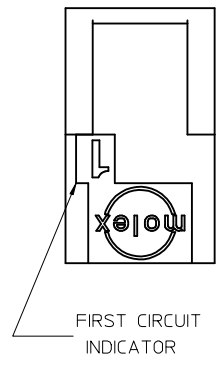
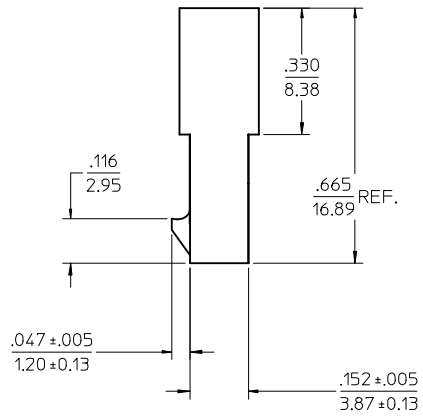
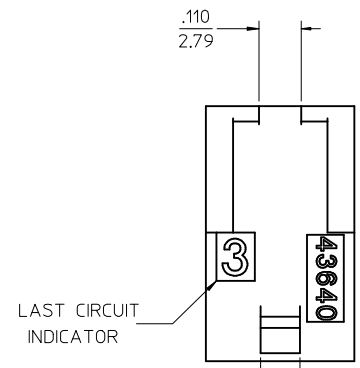
SECTION "E"- "E" NO SCALE



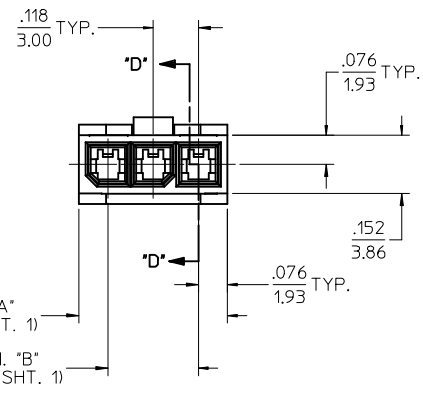
MATED MICRO-FIT CONNECTOR

UPDATE ISO VIEW EC NO: UCP2010-0138 2009/07/22 DRWN:TBRENS CHKD:SSOUSEK 2009/07/22 APPR:FSMITH 2009/07/23	QUALITY SYMBOLS ▽=0 ▽=0	GENERAL TOLERANCES (UNLESS SPECIFIED)	DIMENSION STYLE		SCALE 4:1	DESIGN UNITS METRIC	THIRD ANGLE PROJECTION
			mm	INCH			
REV: A2	DESCRIPTION	DRAFT WHERE APPLICABLE MUST REMAIN WITHIN DIMENSIONS	DRAWN BY MKIPPER		DATE 2008/01/21	TITLE MICRO-FIT (3.0) IN-LINE PLUG W/ OPTIONAL PANEL MOUNTS, HALOGEN-FREE	SHEET NO. 1 OF 2
			CHECKED BY SSOUSEK		DATE 2008/01/30		
			APPROVED BY FSMITH		DATE 2008/02/07	MATERIAL NO. SEE CHART	DOCUMENT NO. SD-43640-001
			SIZE C		THIS DRAWING CONTAINS INFORMATION THAT IS PROPRIETARY TO MOLEX INCORPORATED AND SHOULD NOT BE USED WITHOUT WRITTEN PERMISSION		

X-CONTACT FACTORY	ASSEMBLY ITEM NUMBER	PART CHARACTERISTICS NUMBER OF POSITION
	43640-0209	02
	43640-0309	03
	43640-0409	04
X		05
	43640-0609	06
	43640-0709	07
X		08
X		09
X		10
X		11
X		12

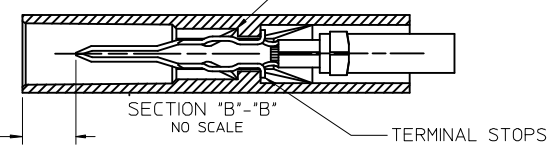


PLUG WITHOUT PANEL MOUNTS

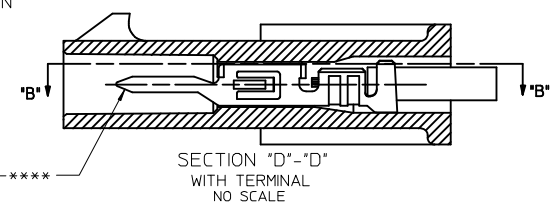


DIM. "A" (SEE SHT. 1)
DIM. "B" (SEE SHT. 1)

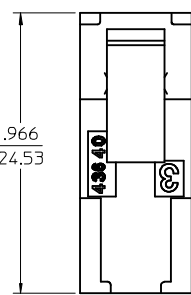
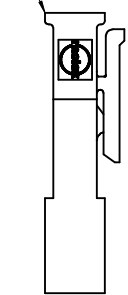
TERMINAL LOCKING TABS MUST BE FULLY SEATED TO HOUSING BEFORE MATING WITH OTHER HALF OF CONNECTOR SYSTEM.



.079 REF. (2.00)
TERMINAL INSERTION DEPTH



RECEPTACLE # 43645-****



PLUG # 43640-***01

MATED MICRO-FIT CONNECTOR

UPDATE ISO VIEW EC NO: UCP2010-0138 DRAWN: RBENES 2009/07/22 CHKD: SSOUSEK 2009/07/22 APPR: FSMITH 2009/07/23	QUALITY SYMBOLS ▽=0 ▽=0	GENERAL TOLERANCES (UNLESS SPECIFIED) <table border="1"> <thead> <tr> <th></th> <th>mm</th> <th>INCH</th> </tr> </thead> <tbody> <tr> <td>4 PLACES ±</td> <td>---</td> <td>---</td> </tr> <tr> <td>3 PLACES ±</td> <td>---</td> <td>±.010</td> </tr> <tr> <td>2 PLACES ±</td> <td>0.25</td> <td>±.014</td> </tr> <tr> <td>1 PLACE ±</td> <td>0.35</td> <td>±---</td> </tr> </tbody> </table>		mm	INCH	4 PLACES ±	---	---	3 PLACES ±	---	±.010	2 PLACES ±	0.25	±.014	1 PLACE ±	0.35	±---	DIMENSION STYLE IN/MM	SCALE 4:1	DESIGN UNITS METRIC	THIRD ANGLE PROJECTION
		mm	INCH																		
	4 PLACES ±	---	---																		
	3 PLACES ±	---	±.010																		
2 PLACES ±	0.25	±.014																			
1 PLACE ±	0.35	±---																			
MATERIAL NO. SEE CHART	DRAWN BY MKIPPER	DATE 2008/01/21	TITLE MICRO-FIT (3.0) IN-LINE PLUG W/ OPTIONAL PANEL MOUNTS, HALOGEN-FREE																		
DRAFT WHERE APPLICABLE MUST REMAIN WITHIN DIMENSIONS	APPROVED BY FSMITH	DATE 2008/02/07	MOLEX INCORPORATED																		
SIZE C	THIS DRAWING CONTAINS INFORMATION THAT IS PROPRIETARY TO MOLEX INCORPORATED AND SHOULD NOT BE USED WITHOUT WRITTEN PERMISSION		DOCUMENT NO. SD-43640-001	SHEET NO. 2 OF 2																	