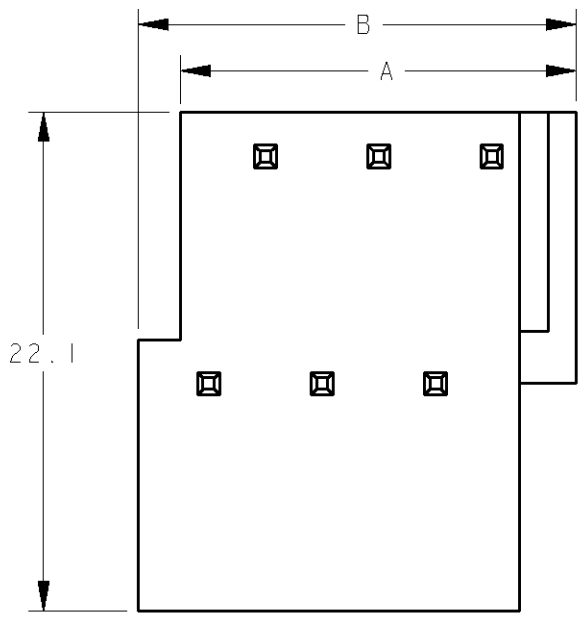
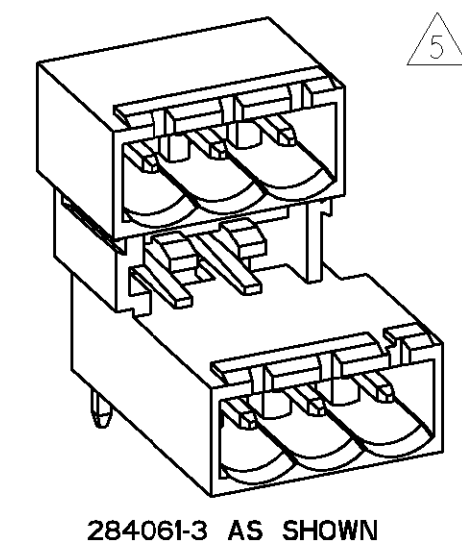
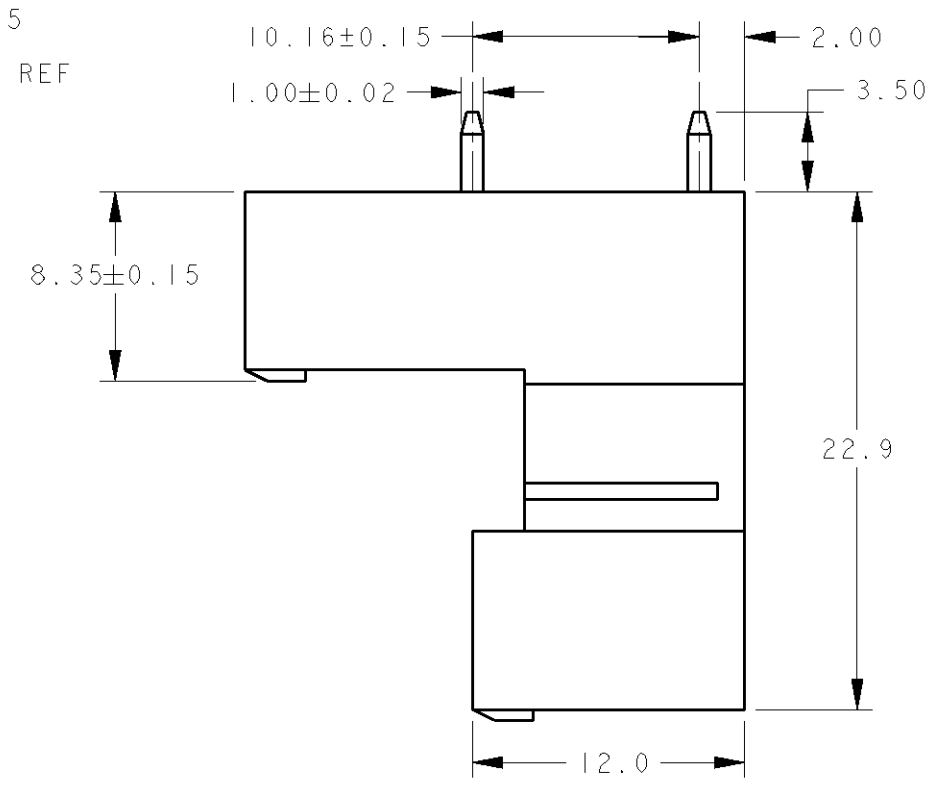
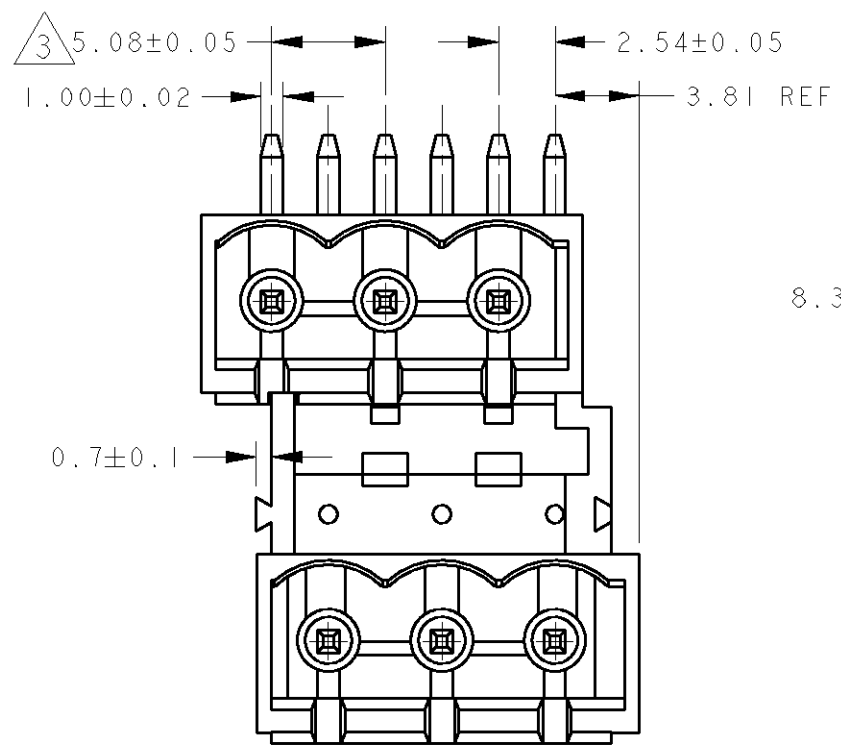


THIS DRAWING IS UNPUBLISHED. RELEASED FOR PUBLICATION 20  
 © COPYRIGHT 20 BY TYCO ELECTRONICS CORPORATION. ALL RIGHTS RESERVED.

| LOC | DIST | REVISIONS   |                          |           |       |
|-----|------|-------------|--------------------------|-----------|-------|
| P   | LTR  | DESCRIPTION | DATE                     | DWN       | APVD  |
| FT  | 0    | B           | REVISED PER 0G3B-0119-01 | 24JAN2002 | EZ DB |

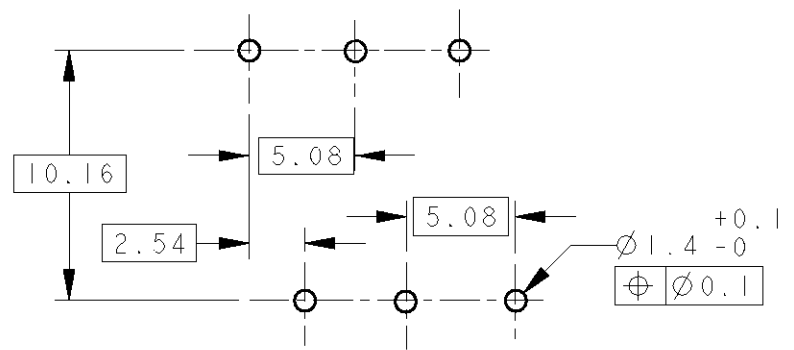


- 1 MATERIALS AND FINISH  
HOUSING: PA 6-6, UL 94-V0, COLOR GREEN.  
TERMINAL: PHOSPHOR BRONZE, TIN PLATED.
- 2 SUITABLE FOR 1,6-2,4mm PC BOARD THICKNESS.
- 3 NOT CUMULATIVE TOLERANCE.
- 4 P/N FROM 284061-3 TO 2-284061-5 ARE OBTAINED BY ASSEMBLING DIFFERENT MONOLITHIC MODULES CHOSEN AMONG: 284061-2 AND 284061-3, IN ORDER TO REALIZE THE DESIRED NUMBER OF WAYS.
- 5 P/N 2-284061-6 IS OBTAINED BY ASSEMBLING AND GLUING TOGETHER 4 P/N 284061-3 AND 3 P/N 284061-2.



| DIM"A" | DIM"B" | N°OF TOTAL POS. | PART NUMBER |
|--------|--------|-----------------|-------------|
| 83.32  | 85.86  | 16              | 2-284061-6  |
| 129.04 | 131.58 | 25              | 2-284061-5  |
| 123.96 | 126.50 | 24              | 2-284061-4  |
| 118.88 | 121.42 | 23              | 2-284061-3  |
| 113.80 | 116.34 | 22              | 2-284061-2  |
| 108.72 | 111.26 | 21              | 2-284061-1  |
| 103.64 | 106.18 | 20              | 2-284061-0  |
| 98.56  | 101.10 | 19              | 1-284061-9  |
| 93.48  | 96.02  | 18              | 1-284061-8  |
| 88.40  | 90.94  | 17              | 1-284061-7  |
| 83.32  | 85.86  | 16              | 1-284061-6  |
| 78.24  | 80.78  | 15              | 1-284061-5  |
| 73.16  | 75.70  | 14              | 1-284061-4  |
| 68.08  | 70.62  | 13              | 1-284061-3  |
| 63.00  | 65.54  | 12              | 1-284061-2  |
| 57.92  | 60.46  | 11              | 1-284061-1  |
| 52.84  | 55.38  | 10              | 1-284061-0  |
| 47.76  | 50.30  | 9               | 284061-9    |
| 42.68  | 45.22  | 8               | 284061-8    |
| 37.60  | 40.14  | 7               | 284061-7    |
| 32.52  | 35.06  | 6               | 284061-6    |
| 27.44  | 29.98  | 5               | 284061-5    |
| 22.36  | 24.90  | 4               | 284061-4    |
| 17.28  | 19.82  | 3               | 284061-3    |
| 12.20  | 14.74  | 2               | 284061-2    |

RECOMMENDED PC BOARD LAYOUT



THIS DRAWING IS A CONTROLLED DOCUMENT FOR TYCO ELECTRONICS CORPORATION. IT IS SUBJECT TO CHANGE AND THE CONTROLLING ENGINEERING ORGANIZATION SHOULD BE CONTACTED FOR THE LATEST REVISION.

|                |  |                                |  |
|----------------|--|--------------------------------|--|
| DIMENSIONS: mm | TOLERANCES UNLESS OTHERWISE SPECIFIED:                                   | DWN 24JAN2002<br>E. ZANOLINI   | <b>BUCHANAN</b> Tyco Electronics<br>Harrisburg, PA 17105-3608              |
|                | 0 PLC ±-<br>1 PLC ±.3<br>2 PLC ±.25<br>3 PLC ±-<br>4 PLC ±-<br>ANGLES ±2 | CHK 24JAN2002<br>E. ZANOLINI   |  |
| MATERIAL       | FINISH   | APVD 24JAN2002<br>D. BIEVENOUR | NAME<br>TERMINAL BLOCK<br>MULTIPLE HEADER, 90° CLOSED ENDS<br>5.08mm PITCH |
|                |  | PRODUCT SPEC -                 | SIZE A3 CAGE CODE 00779 DRAWING NO C=284061                                |
|                |  | APPLICATION SPEC -             | RESTRICTED TO -  |
|                |  | WEIGHT -                       | SCALE 3:1 SHEET 1 OF 1 REV B   |
|                |  | CUSTOMER DRAWING               |  |