

**PLEASE CHECK WWW.MOLEX.COM FOR LATEST PART INFORMATION**

**Part Number:** [0365000027](#)  
**Status:** **Active**  
**Overview:** [din\\_41612](#)  
**Description:** 2.54mm (.100") Pitch DIN 41612 C Style Female Receptacle, Vertical, Through Hole, 0.30µm (12µ") Selective Gold (Au) Plating, 96 Circuits, without Mounting Clips, Solder Tail Length 4.50mm (.177"), No Flux Proof, Lead Free

**Documents:**

[Drawing \(PDF\)](#) [RoHS Certificate of Compliance \(PDF\)](#)  
[Product Specification PS-36500-001 \(PDF\)](#)

**General**

|                |   |
|----------------|---|
| Product Family | Backplane Connectors  |
| Series         | <a href="#">36500</a>   |
| Application    | Daughtercard  |
| Comments       | No Mounting Clips, Secured with Tubular Rivets/<br>Cheesehead Screws. No Flux Proof |
| Component Type | PCB Receptacle  |
| Overview       | <a href="#">din_41612</a>   |
| Product Name   | IEC 603-2/DIN 41612   |
| Style          | C   |

**Physical**

|                                |                    |
|--------------------------------|--------------------|
| Circuits (Loaded)              | 96                 |
| Circuits (maximum)             | 96                 |
| Circuits Detail                | 1,2,3,...32; a+b+c |
| Color - Resin                  | Gray               |
| Durability (mating cycles max) | 50                 |
| First Mate / Last Break        | Yes                |
| Guide to Mating Part           | No                 |
| Keying to Mating Part          | Yes                |
| Material - Metal               | Phosphor Bronze    |
| Material - Plating Mating      | Gold               |
| Material - Plating Termination | Tin                |
| Material - Resin               | Polyester          |
| Number of Columns              | 32                 |
| Number of Pairs                | Open Pin Field     |
| Number of Rows                 | 3                  |
| Orientation                    | Vertical           |
| PC Tail Length (in)            | 0.177 In           |
| PC Tail Length (mm)            | 4.50 mm            |
| PCB Locator                    | No                 |
| PCB Retention                  | Yes                |
| PCB Thickness Recommended (in) | 0.063 In           |
| PCB Thickness Recommended (mm) | 1.60 mm            |
| Packaging Type                 | Carton             |
| Pitch - Mating Interface (in)  | 0.100 In           |
| Pitch - Mating Interface (mm)  | 2.54 mm            |
| Pitch - Term. Interface (in)   | 0.100 In           |
| Pitch - Term. Interface (mm)   | 2.54 mm            |
| Plating min: Mating (µin)      | 12                 |
| Plating min: Mating (µm)       | 0.30               |
| Plating min: Termination (µin) | 200                |
| Plating min: Termination (µm)  | 5.00               |
| Polarized to PCB               | Yes                |
| Stackable                      | No                 |

**EU RoHS**

**ELV and RoHS**

**Compliant**

**REACH SVHC**

Not Reviewed

**Halogen-Free**

**Status**

**Not Reviewed**

**China RoHS**



**Need more information on product environmental compliance?**

Email [productcompliance@molex.com](mailto:productcompliance@molex.com)  
 For a multiple part number RoHS Certificate of Compliance, [click here](#)

Please visit the [Contact Us](#) section for any non-product compliance questions.

**Search Parts in this Series**

[36500Series](#)

|                                |                 |
|--------------------------------|-----------------|
| Surface Mount Compatible (SMC) | No              |
| Temperature Range - Operating  | -55°C to +125°C |
| Termination Interface: Style   | Through Hole    |

### **Electrical**

|                               |               |
|-------------------------------|---------------|
| Current - Maximum per Contact | 1A            |
| Data Rate                     | 622.0 Mbps    |
| Voltage - Maximum             | 250V AC (RMS) |

### **Solder Process Data**

|  |                        |
|--|------------------------|
| Duration at Max. Process Temperature (seconds) | 10                     |
| Lead-free Process Capability                   | Wave Capable (TH only) |
| Process Temperature max. C                     | 260                    |

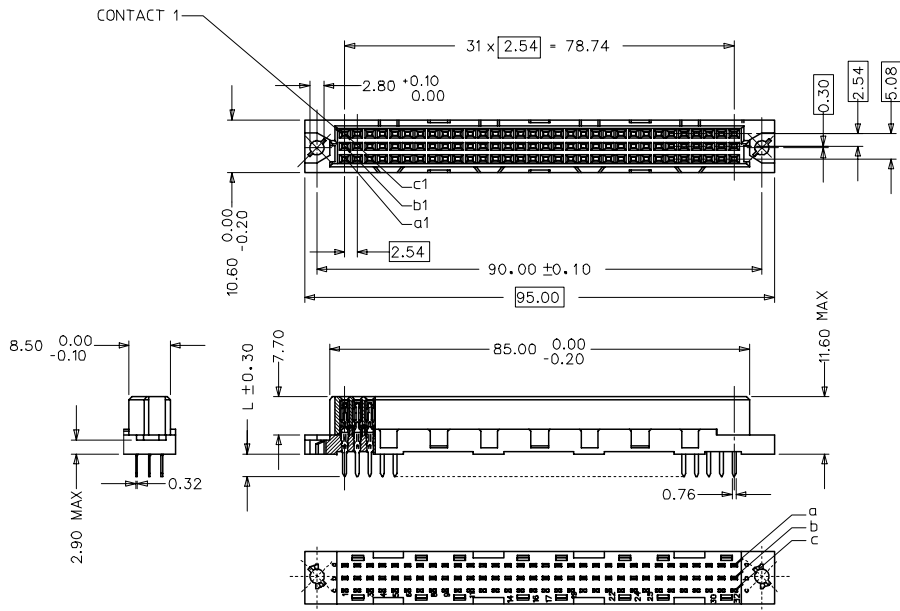
### **Material Info**

#### **Reference - Drawing Numbers**

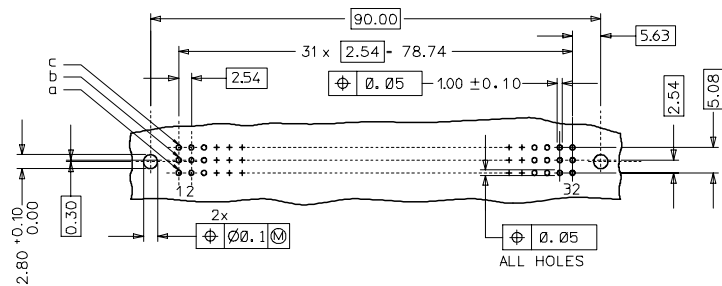
|                         |              |
|-------------------------|--------------|
| Packaging Specification | PK-36500-001 |
| Product Specification   | PS-36500-001 |
| Sales Drawing           | SD-36500-001 |

This document was generated on 05/13/2010

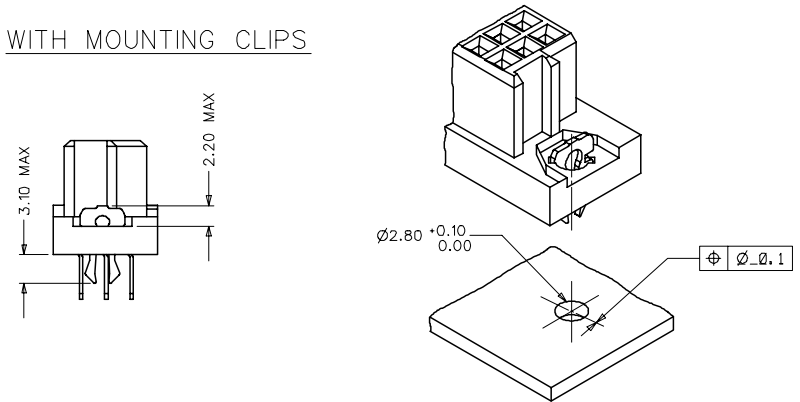
**PLEASE CHECK [WWW.MOLEX.COM](http://WWW.MOLEX.COM) FOR LATEST PART INFORMATION**



RECOMMENDED PCB LAYOUT  
COMPONENT SIDE



WITH MOUNTING CLIPS



NOTES:

- MATERIALS: THERMOPLASTIC POLYESTER, GLASS FILLED, UL94V-0, COLOUR: PEBBLE GREY RAL 7032  
TERMINAL - PHOSPHOR BRONZE  
MOUNTING CLIP: STEEL
- FINISH: TERMINAL:-  
CONTACT AREA:  
1. PERFORMANCE LEVEL 1: SELECTIVE GOLD (Au), THICKNESS - 1.1 MICROMETER  
OVER NICKEL, THICKNESS - 1.5 MICROMETER  
2. PERFORMANCE LEVEL 2: SELECTIVE GOLD (Au), THICKNESS - 0.6 MICROMETER  
OVER NICKEL, THICKNESS - 1.5 MICROMETER  
3. PERFORMANCE LEVEL 3: SELECTIVE GOLD (Au), THICKNESS - 0.3 MICROMETER  
OVER NICKEL, THICKNESS - 1.5 MICROMETER  
TERMINATION AREA:  
SELECTIVE TIN, THICKNESS - 5 MICROMETER  
OVER NICKEL, THICKNESS - 1.5 MICROMETER OVERALL
- MOUNTING CLIP:-  
TIN (Sn), THICKNESS - 5-10 MICROMETER,  
OVER NICKEL (Ni), THICKNESS - 2.5 MICROMETER
- FOR NON MOUNTING CLIP OPTION, CONNECTOR TO BE SECURED WITH  
RIVETS: 2 TUBULAR RIVETS 2.5 x 0.3 ... DIN 7340  
SCREWS: 2 CHEESEHEAD SCREWS M2.5 x ... DIN 84 AND 2 HEXAGONAL NUTS M2.5 DIN 934
- MATERIAL No, BATCH CODE, UL AND CSA MARKING TO BE PRINTED ON THE CONNECTOR.
- CUT FACES OF TIP WITHOUT PLATING PERMITTED.
- PRODUCT SPECIFICATION PS:36500-001

RoHS COMPLIANT

|  |                               |                                       |    |                            |                     |                    |   |                        |
|--|-------------------------------|---------------------------------------|----|----------------------------|---------------------|--------------------|---|------------------------|
| ENTER DESCRIPTION<br>E.C.N.C. 12007 2004<br>DRAWING APPROVED 2006/10/10<br>CHECKED BY SUDHIR 2006/10/11<br>APPROVED BY SUDHIR 2006/10/15 | QUALITY SYMBOLS<br>▽=0<br>▽=0 | GENERAL TOLERANCES (UNLESS SPECIFIED) |    | DIMENSION STYLE<br>MM ONLY |                     | SCALE<br>2:1       | DESIGN UNITS<br>METRIC  | THIRD ANGLE PROJECTION |
|  |                               | 4 PLACES ±                            | mm | INCH                       | DRAWN BY<br>SUDHIR  | DATE<br>2000/09/22 | TITLE<br>ASSEMBLY DIN 41612<br>C FEMALE 96 POS<br>1.0MM PCB DIA |                        |
| DRAFT WHERE APPLICABLE MUST REMAIN WITHIN DIMENSIONS   | REV<br>C1                     | 3 PLACES ±0.05                        | ±  | ---                        | CHECKED BY<br>G.L.  | DATE<br>2000/09/22 | MATERIAL NO. SEE SHEET 2  |                        |
|  |                               | 2 PLACES ±0.1                         | ±  | ---                        | APPROVED BY<br>G.L. | DATE<br>2000/09/22 | DOCUMENT NO. SD-36500-001                                       |                        |
|  |                               | 1 PLACE ±0.15                         | ±  | ---                        | ANGULAR ± 2°        |                    | SHEET NO. 1 OF 2  |                        |
| <p>THIS DRAWING CONTAINS INFORMATION THAT IS PROPRIETARY TO MOLEX INCORPORATED AND SHOULD NOT BE USED WITHOUT WRITTEN PERMISSION</p>     |                               |                                       |    |                            |                     |                    |   |                        |

|  | 20          | 19                | 18         | 17      | 16                   | 15         | 14            | 13         | 12 | 11 | 10 | 9 | 8 | 7 | 6 | 5 | 4 | 3 | 2 | 1 |  |
|--|-------------|-------------------|------------|---------|----------------------|------------|---------------|------------|----|----|----|---|---|---|---|---|---|---|---|---|--|
|  | MATERIAL No | MOLEX ENG No      | PERF LEVEL | PLATING | CONTACT SEQUENCE/ROW | DIM "L" mm | MOUNTING CLIP | FLUX PROOF |    |    |    |   |   |   |   |   |   |   |   |   |  |
|  | 36500-0001  | MM-B2401-C960     | 1          | Au+Ni   | 1.2.3....32 a+b+c    | 2.9        | NO            | NO         |    |    |    |   |   |   |   |   |   |   |   |   |  |
|  | 36500-0002  | MM-B2501-C960     | 2          | Au+Ni   | 1.2.3....32 a+b+c    | 2.9        | NO            | NO         |    |    |    |   |   |   |   |   |   |   |   |   |  |
|  | 36500-0003  | MM-B2601-C960     | 3          | Au+Ni   | 1.2.3....32 a+b+c    | 2.9        | NO            | NO         |    |    |    |   |   |   |   |   |   |   |   |   |  |
|  | 36500-0007  | MM-B2401-C910     | 1          | Au+Ni   | 1.2.3....32 a+b+c    | 2.9        | YES           | NO         |    |    |    |   |   |   |   |   |   |   |   |   |  |
|  | 36500-0008  | MM-B2501-C910     | 2          | Au+Ni   | 1.2.3....32 a+b+c    | 2.9        | YES           | NO         |    |    |    |   |   |   |   |   |   |   |   |   |  |
|  | 36500-0009  | MM-B2601-C910     | 3          | Au+Ni   | 1.2.3....32 a+b+c    | 2.9        | YES           | NO         |    |    |    |   |   |   |   |   |   |   |   |   |  |
|  | 36500-0013  | MM-B2401-C960-133 | 1          | Au+Ni   | 1.2.3....32 a+b+c    | 2.9        | NO            | YES        |    |    |    |   |   |   |   |   |   |   |   |   |  |
|  | 36500-0014  | MM-B2501-C960-133 | 2          | Au+Ni   | 1.2.3....32 a+b+c    | 2.9        | NO            | YES        |    |    |    |   |   |   |   |   |   |   |   |   |  |
|  | 36500-0015  | MM-B2601-C960-133 | 3          | Au+Ni   | 1.2.3....32 a+b+c    | 2.9        | NO            | YES        |    |    |    |   |   |   |   |   |   |   |   |   |  |
|  | 36500-0019  | MM-B2401-C910-133 | 1          | Au+Ni   | 1.2.3....32 a+b+c    | 2.9        | YES           | YES        |    |    |    |   |   |   |   |   |   |   |   |   |  |
|  | 36500-0020  | MM-B2501-C910-133 | 2          | Au+Ni   | 1.2.3....32 a+b+c    | 2.9        | YES           | YES        |    |    |    |   |   |   |   |   |   |   |   |   |  |
|  | 36500-0021  | MM-B2601-C910-133 | 3          | Au+Ni   | 1.2.3....32 a+b+c    | 2.9        | YES           | YES        |    |    |    |   |   |   |   |   |   |   |   |   |  |
|  | 36500-0025  | MM-B2402-C960     | 1          | Au+Ni   | 1.2.3....32 a+b+c    | 4.5        | NO            | NO         |    |    |    |   |   |   |   |   |   |   |   |   |  |
|  | 36500-0026  | MM-B2502-C960     | 2          | Au+Ni   | 1.2.3....32 a+b+c    | 4.5        | NO            | NO         |    |    |    |   |   |   |   |   |   |   |   |   |  |
|  | 36500-0027  | MM-B2602-C960     | 3          | Au+Ni   | 1.2.3....32 a+b+c    | 4.5        | NO            | NO         |    |    |    |   |   |   |   |   |   |   |   |   |  |
|  | 36500-0031  | MM-B2402-C910     | 1          | Au+Ni   | 1.2.3....32 a+b+c    | 4.5        | YES           | NO         |    |    |    |   |   |   |   |   |   |   |   |   |  |
|  | 36500-0032  | MM-B2502-C910     | 2          | Au+Ni   | 1.2.3....32 a+b+c    | 4.5        | YES           | NO         |    |    |    |   |   |   |   |   |   |   |   |   |  |
|  | 36500-0033  | MM-B2602-C910     | 3          | Au+Ni   | 1.2.3....32 a+b+c    | 4.5        | YES           | NO         |    |    |    |   |   |   |   |   |   |   |   |   |  |
|  | 36500-0037  | MM-B2402-C960-133 | 1          | Au+Ni   | 1.2.3....32 a+b+c    | 4.5        | NO            | YES        |    |    |    |   |   |   |   |   |   |   |   |   |  |
|  | 36500-0038  | MM-B2502-C960-133 | 2          | Au+Ni   | 1.2.3....32 a+b+c    | 4.5        | NO            | YES        |    |    |    |   |   |   |   |   |   |   |   |   |  |
|  | 36500-0039  | MM-B2602-C960-133 | 3          | Au+Ni   | 1.2.3....32 a+b+c    | 4.5        | NO            | YES        |    |    |    |   |   |   |   |   |   |   |   |   |  |
|  | 36500-0043  | MM-B2402-C910-133 | 1          | Au+Ni   | 1.2.3....32 a+b+c    | 4.5        | YES           | YES        |    |    |    |   |   |   |   |   |   |   |   |   |  |
|  | 36500-0044  | MM-B2502-C910-133 | 2          | Au+Ni   | 1.2.3....32 a+b+c    | 4.5        | YES           | YES        |    |    |    |   |   |   |   |   |   |   |   |   |  |
|  | 36500-0045  | MM-B2602-C910-133 | 3          | Au+Ni   | 1.2.3....32 a+b+c    | 4.5        | YES           | YES        |    |    |    |   |   |   |   |   |   |   |   |   |  |

RoHS COMPLIANT

|  |                            |  |      |  |                    |  |   |                               |  |
|--|----------------------------|--|------|--|--------------------|--|---|-------------------------------|--|
| <b>ENTER DESCRIPTION</b><br>ELC INC. 12007 0044<br>DRWNGSATTI/MARAD 2006/10/10<br>CHKD/SSUDHIR 2006/10/11<br>APPR/SSUDHIR 2006/10/15<br>C1 | <b>QUALITY SYMBOLS</b><br> | <b>GENERAL TOLERANCES (UNLESS SPECIFIED)</b> |      | <b>DIMENSION STYLE</b><br>MM ONLY                          |                    | <b>SCALE</b><br>---  | <b>DESIGN UNITS</b><br>METRIC   | <b>THIRD ANGLE PROJECTION</b> |  |
|  |                            | 4 PLACES ± 0.15 ± ---                        | INCH | DRAWN BY<br>SSUDHIR  | DATE<br>2000/09/22 | <b>TITLE</b><br>ASSEMBLY DIN 41612<br>C FEMALE 96 POS<br>1.0MM PCB DIA |   |                               |  |
|  |                            | 3 PLACES ± 0.05 ± ---                        | mm   | CHECKED BY<br>G.L.   | DATE<br>2000/09/22 | <b>MATERIAL NO.</b><br>SEE CHART                                       |   |                               |  |
|  |                            | 2 PLACES ± 0.1 ± ---                         | mm   | APPROVED BY<br>G.L.  | DATE<br>2000/09/22 | <b>DOCUMENT NO.</b><br>SD-36500-001                                    |   |                               |  |
| 1 PLACE ± 0.15 ± ---   |                            | ANGULAR ± 2°                                 |      | DRAFT WHERE APPLICABLE<br>MUST REMAIN<br>WITHIN DIMENSIONS |                    | SIZE<br>A 1  | THIS DRAWING CONTAINS INFORMATION THAT IS PROPRIETARY TO MOLEX INCORPORATED AND SHOULD NOT BE USED WITHOUT WRITTEN PERMISSION |                               |  |
|  |                            |  |      |  |                    | <b>SHEET NO.</b><br>2 OF 2   |   |                               |  |