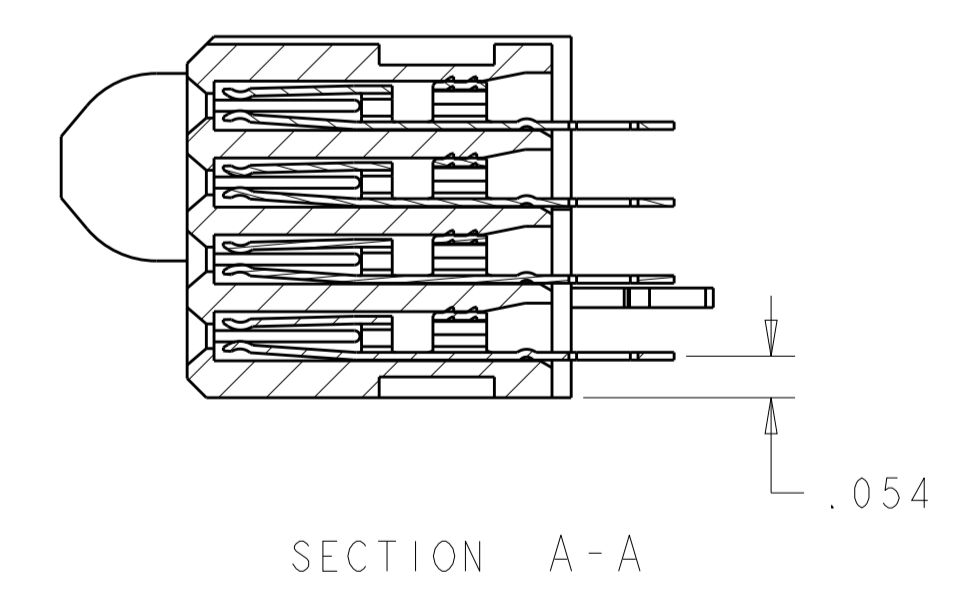
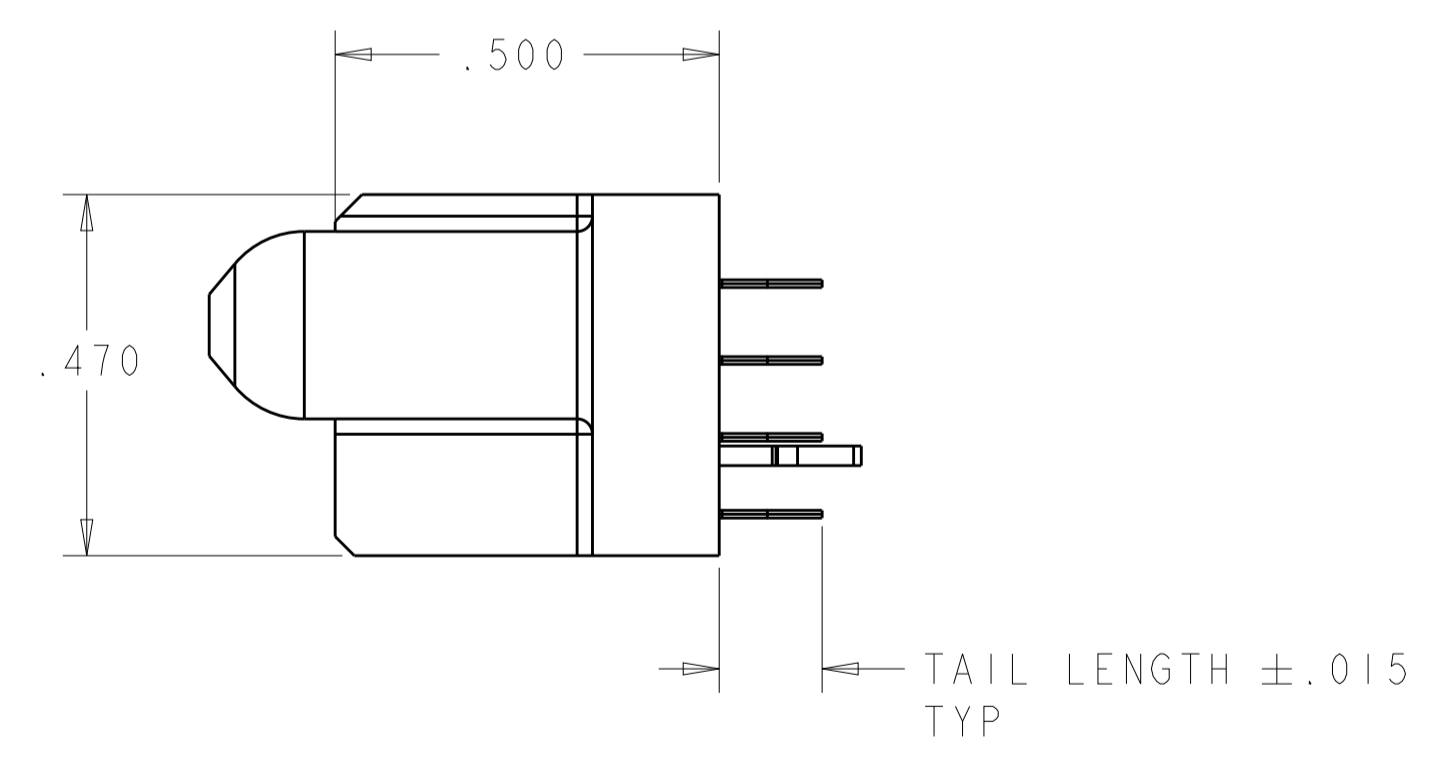
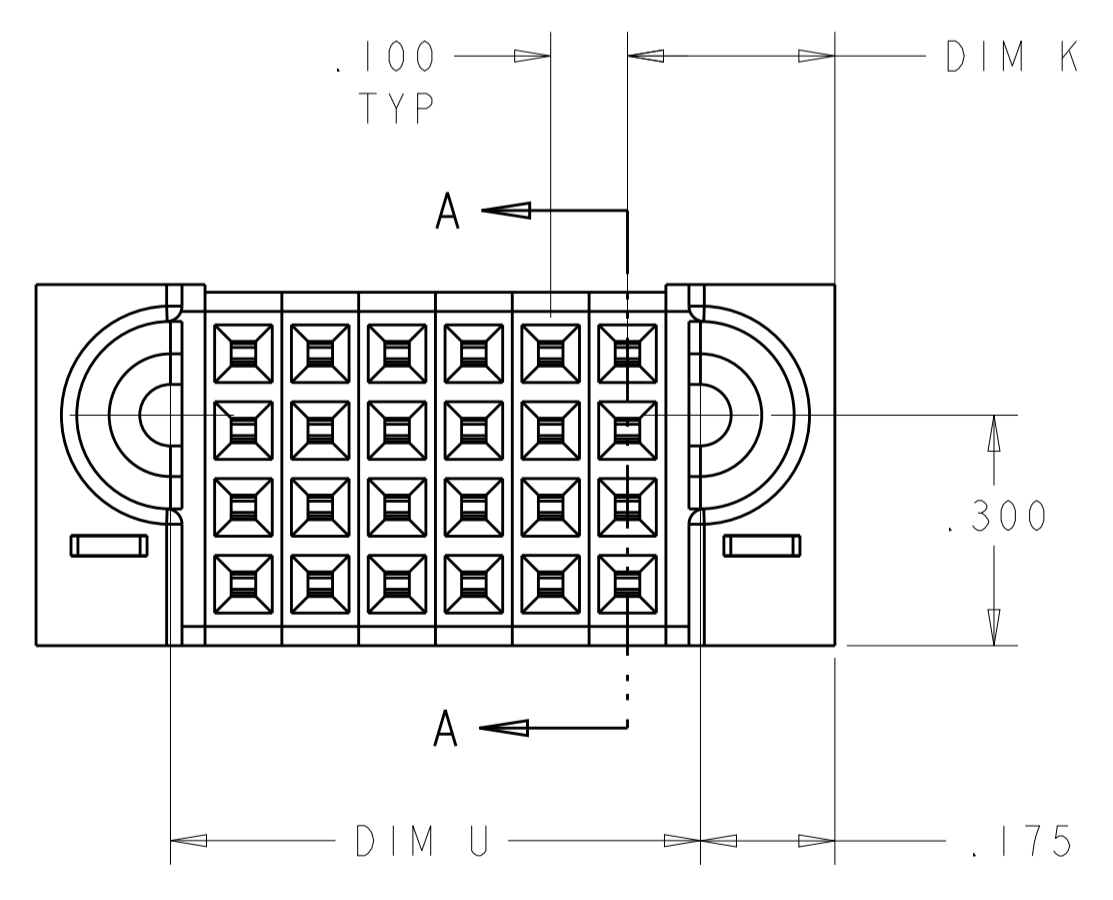
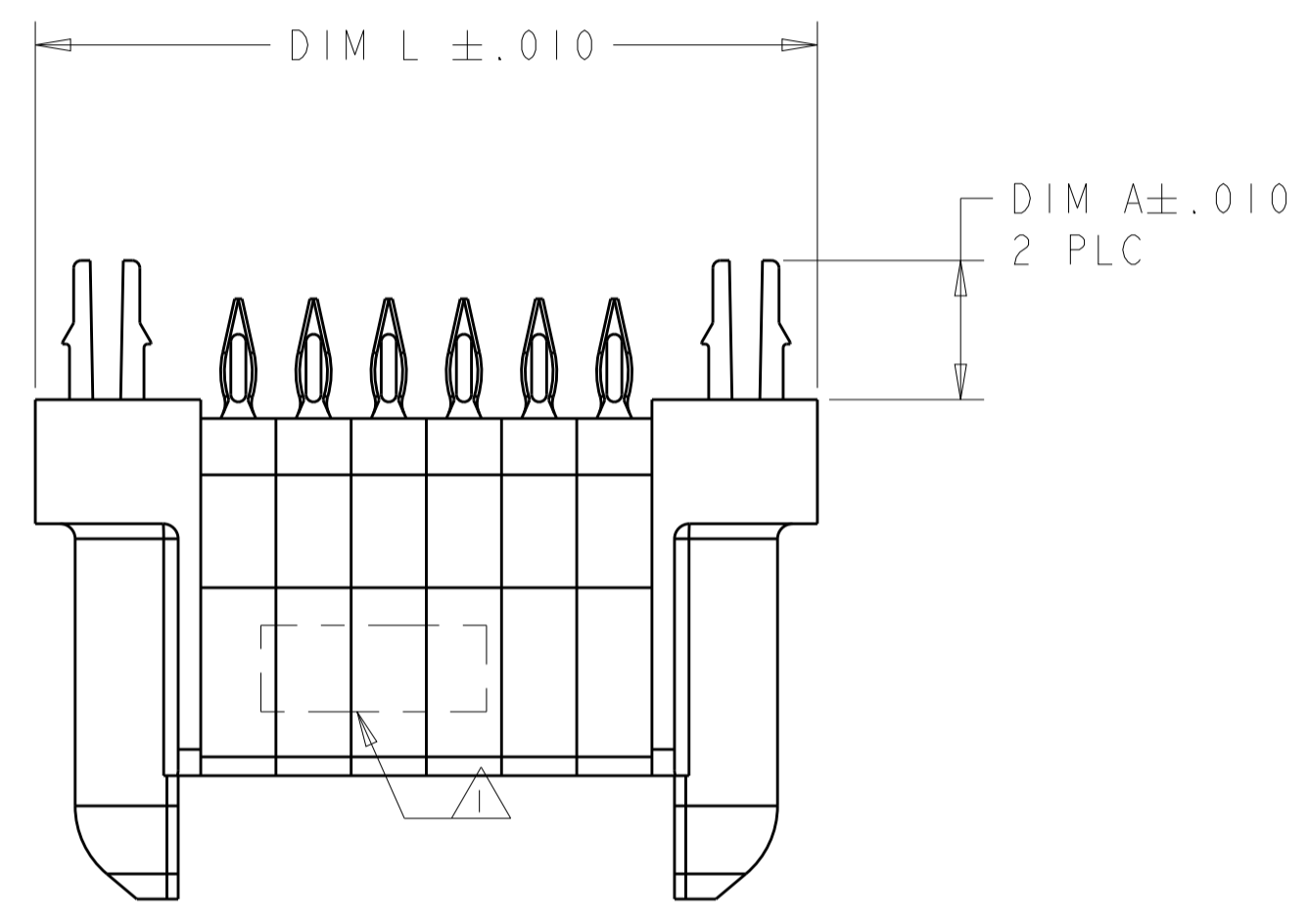
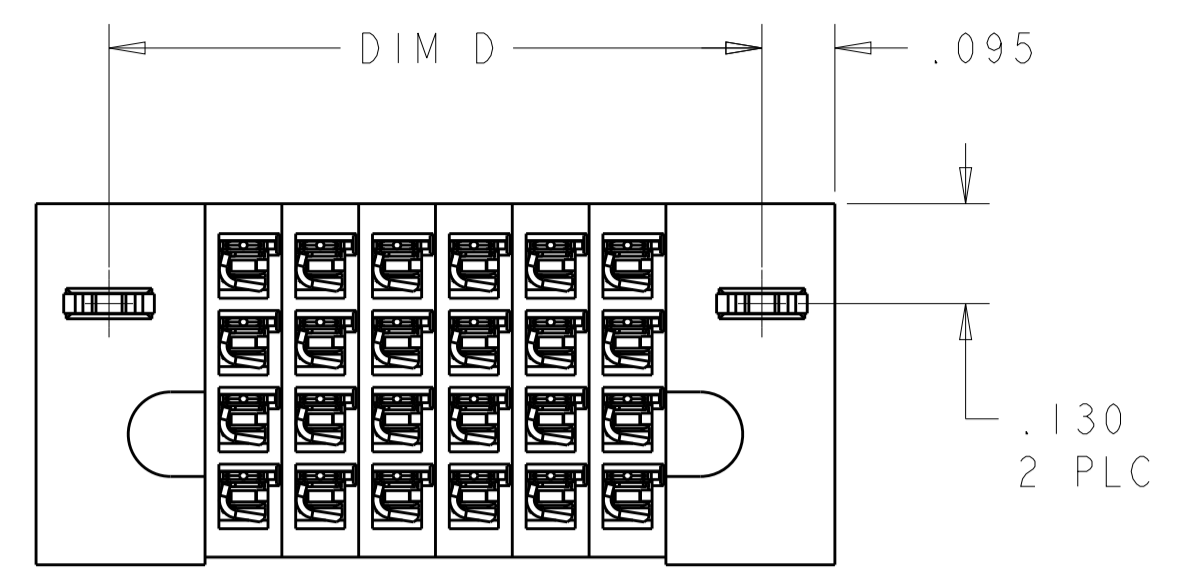


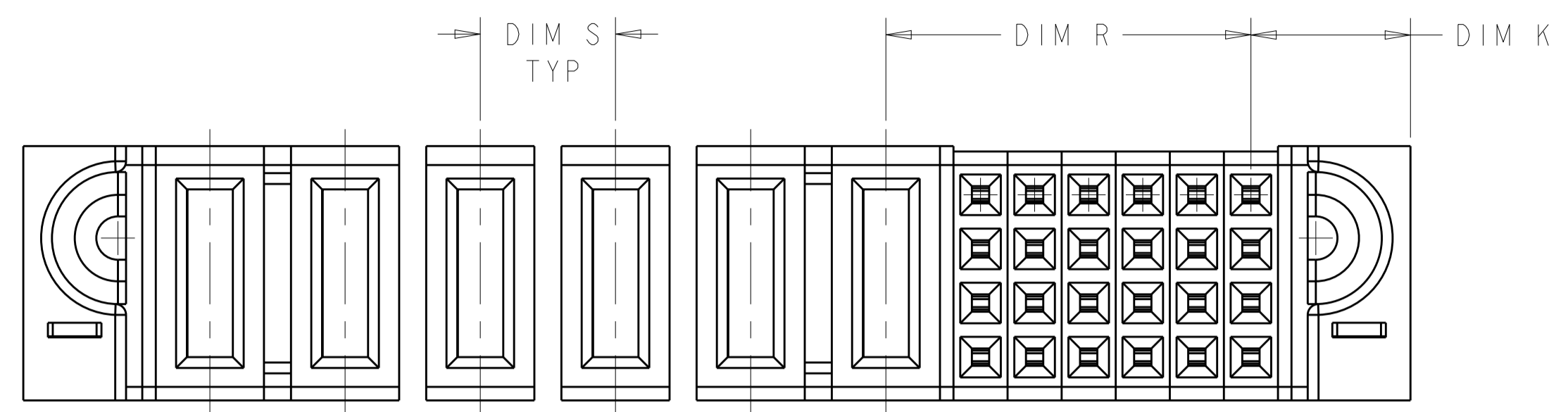
LOC	DIST	REVISIONS					
		P	LTN	DESCRIPTION	DATE	DMN	APVD
ES	00	G5		ADD NEW DASH NUMBER 1-8	11AUG2014	AL	SZ



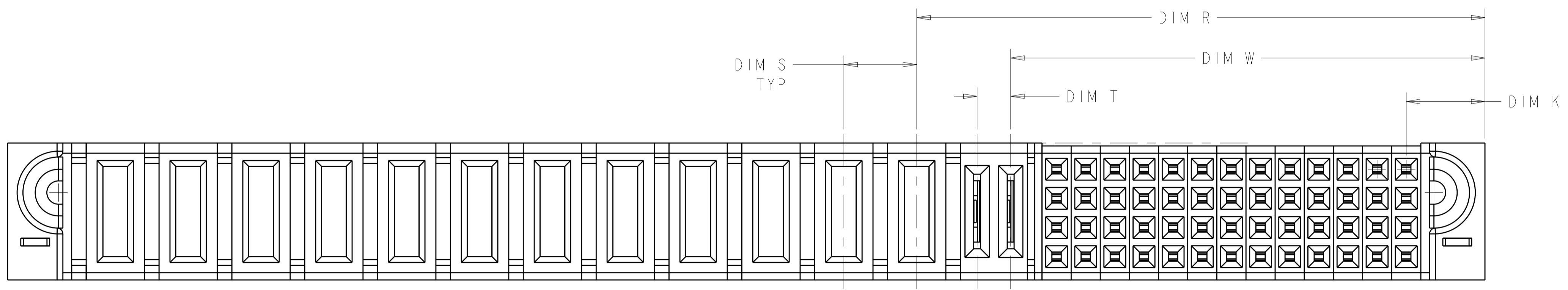
- 1 "AMP", PART NUMBER AND DATE CODE TO BE MARKED IN AREA SHOWN PARTS UNDER 2.00 LONG MAY BE MARKED ON BOTH SIDES
- 2 MATERIAL: HOUSING - GLASS FILLED HIGH TEMP THERMO PLASTIC, UL94 V-0
 SIGNAL CONTACT - HIGH CONDUCTIVITY COPPER ALLOY
 POWER CONTACT - HIGH CONDUCTIVITY COPPER ALLOY
- 3 CONTACT PLATING: NOBLE METAL PLATING ON CONTACT FUNCTIONAL AREA OF POWER AND SIGNAL CONTACTS
- 4 MECHANICAL CONNECTOR KEEP OUT ZONE
- 5 DATUM AND BASIC DIMENSIONS ESTABLISHED BY CUSTOMER
- 6 PCB - ALL HOLE DIAMETERS ARE FINISHED HOLE SIZES
- 7 PCB - 0.0453 ±.0010 DRILLED HOLES PLATED WITH .0003 MIN Sn OVER .001 TO .003 Cu PLATING TO ACHIEVE A .040 ±.0030 HOLE
- 8 FOR "S+P" CONFIGURATION ,VARIABLE DIMENSIONS PLEASE REFER TO SHEET 2
- 9 FOR "S+LP+P" CONFIGURATION ,VARIABLE DIMENSIONS PLEASE REFER TO SHEET 2
- 10 VARIABLE DIMENSION REFER TO THE DIMENSION ON CORRRESPONDING MODEL UNDER THE PCB

THIS DRAWING IS A CONTROLLED DOCUMENT.		DMN C. ZHOU CHK S. ZHAO	20JUN2012 20JUN2012	TE Connectivity
DIMENSIONS: INCHES	TOLERANCES UNLESS OTHERWISE SPECIFIED:	APVD	NAME	
0 PLC ±. 1 PLC ±. 2 PLC ±. 3 PLC ±.005 4 PLC ±.0020 ANGLES ±.7°	PRODUCT SPEC 108-2292 APPLICATION SPEC 114-13251	VERTICAL RECEPTACLE ASSEMBLY WITH SHORT GUIDE, PRESS FIT MULTI-BEAM XLE		
MATERIAL	FINISH	WEIGHT	SIZE	RESTRICTED TO
			A100779C=6450861	
Customer Drawing		SCALE	SHEET	REV
		1:1	11	G5

LOC		DIST		REVISIONS				
ES	00	P	LTN	DESCRIPTION	DATE	DMN	APVD	
		-		SEE SHEET 1				



△ FOR "S + P" CONFIGURATION
 UNSPECIFIED DIMENSIONS REFER TO SHEET 1.



△ FOR "S + LP + P" CONFIGURATION
 UNSPECIFIED DIMENSIONS REFER TO SHEET 1.

65	.185	-	-	-	-	1.640	1.290	1.450	.270	48S	1-6450861-8
	.128	-	-	△	.475 △	1.990	1.640	1.800	.270	16S + 4P	1-6450861-7
	.185	-	-	-	-	.840	.490	.650	.270	16S	1-6450861-6
	.185	-	-	.200 △	.675 △	1.865	1.515	1.675	.270	24S + 4P	1-6450861-5
	.185	-	-	-	-	2.140	1.790	1.950	.320	64S	1-6450861-4
	.185	-	-	.250 △	.475 △	3.840	3.490	3.650	.295	16S + 12P	1-6450861-3
	.185	-	-	.300 △	.875 △	2.465	2.115	2.275	.320	32S + 4ACP	1-6450861-2
	.185	-	-	.250 △	.475 △	3.340	2.990	3.150	.295	16S + 10P	1-6450861-1
	.185	-	-	.250 △	.675 △	2.040	1.690	1.850	.270	24S + 4P	6450861-9
	.185	-	-	.250 △	.475 △	1.440	1.090	1.250	.320	16S + 2P	6450861-8
	.185	.115 △	1.6275 △	.250 △	1.950 △	5.070	4.720	4.880	.270	52S + 2LP + 12P	6450861-6
	.185	-	-	.250 △	.675 △	3.065	2.715	2.875	.295	24S + 8P	6450861-5
	.185	-	-	.250 △	.675 △	2.565	2.215	2.375	.295	24S + 6P	6450861-4
	.185	-	-	.250 △	.675 △	2.565	2.215	2.375	.295	24S + 6P	6450861-3
	.185	-	-	-	-	2.240	1.890	2.050	.270	72S	6450861-2
	.185	-	-	-	-	1.040	.690	.850	.270	24S	6450861-1
	DIM A	DIM T	DIM W	DIM S	DIM R	DIM L	DIM U	DIM D	DIM K	DESCRIPTION	PART NUMBER

THIS DRAWING IS A CONTROLLED DOCUMENT.

DMN: C. ZHOU, 88882008
 CHK: S. ZHAO, 88882008

APVD: S. YAO

NAME: VERVIEWAREBERSSEMBLY ASSEMBLY
 W/ WITH ISH FOR TO GOLD PLATE, PRESSURE FIT
 MULTI-MATERIAL XLE

PRODUCT SPEC: 108-2292
 APPLICATION SPEC: 114-13058

SIZE: A1
 CAGE CODE: 6450861
 DRAWING NO: 100779

RESTRICTED TO: -

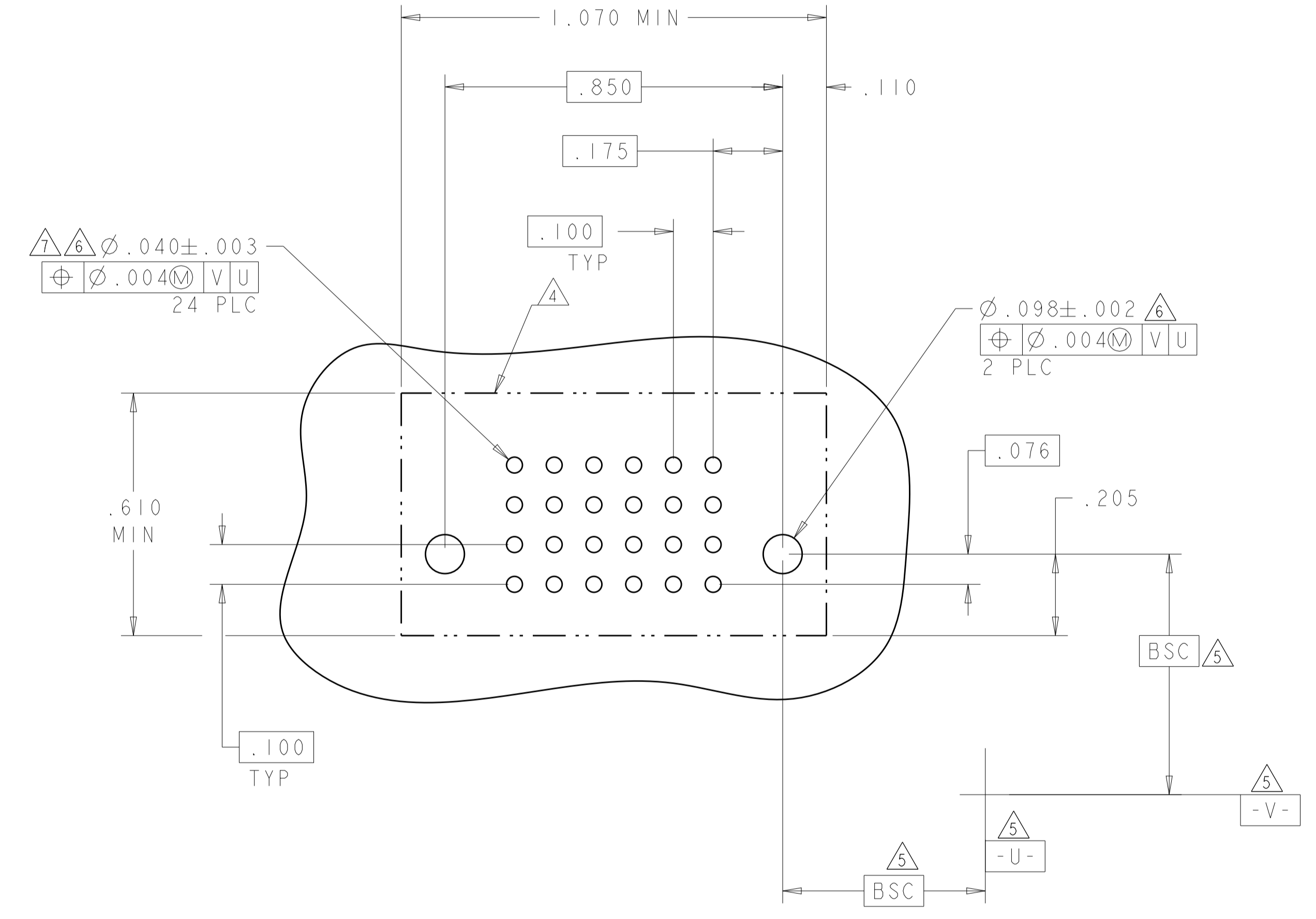
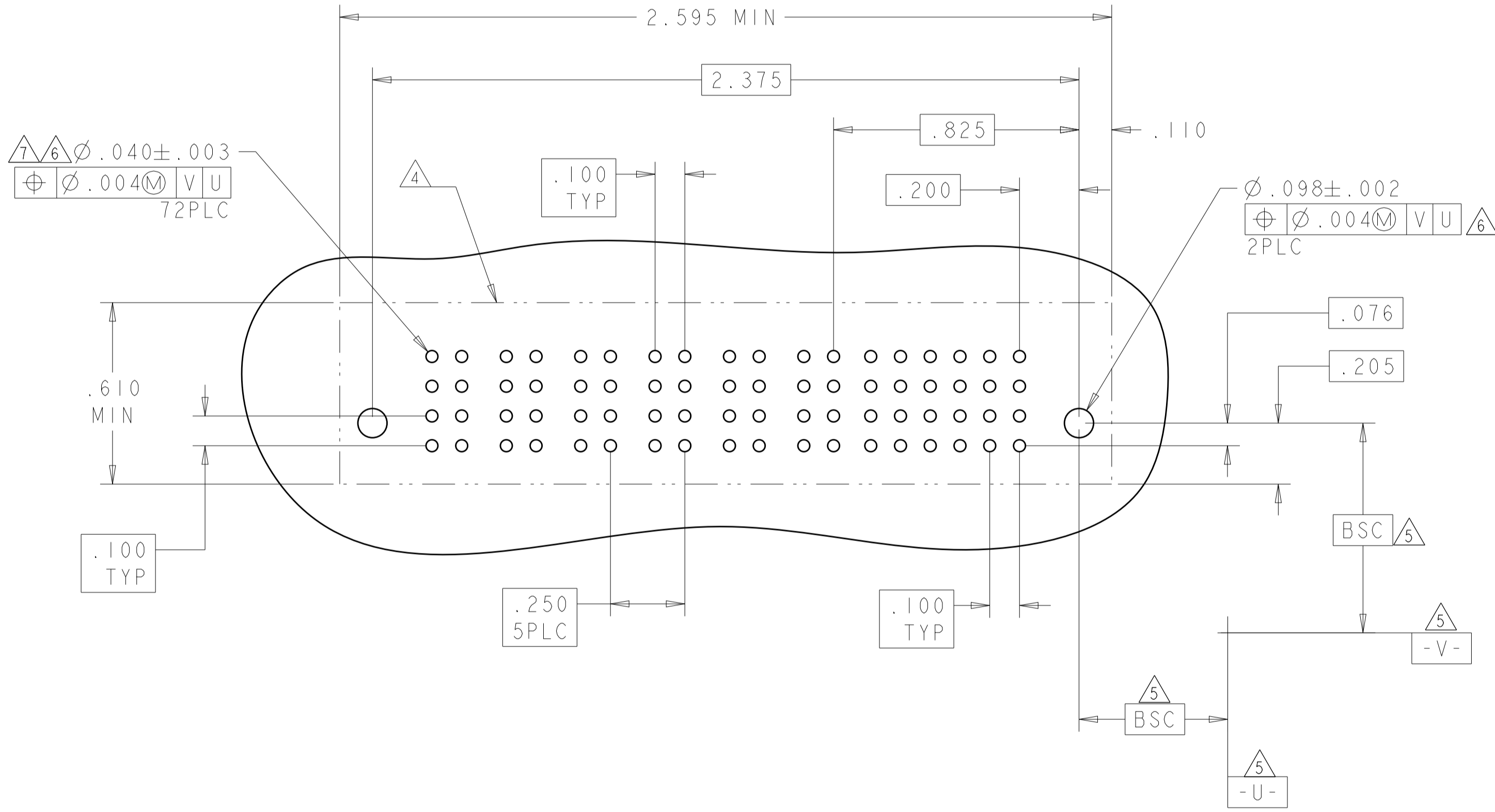
CUSTOMER DRAWING

SCALE: 4:1
 SHEET: 2 OF 11
 REV: 66

LOC	DIST	REVISIONS					
		P	LTN	DESCRIPTION	DATE	DWN	APVD
ES	00	-	-	SEE SHEET 1	-	-	-

PART NUMBER	ROWS	POWER						SIGNAL						
		P6	P5	P4	P3	P2	P1	6	5	4	3	2	1	
6450861-3	D C B A	GS	GS	GS	GS	GS	GS	AP	AP	AP	AP	AP	AP	
								AP	AP	AP	AP	AP	AP	AP
								AP	AP	AP	AP	AP	AP	AP
24S + 6P		HD											HD	

PART NUMBER	ROWS	SIGNAL					
		6	5	4	3	2	1
6450861-1	D C B A	AP	AP	AP	AP	AP	AP
		AP	AP	AP	AP	AP	AP
		AP	AP	AP	AP	AP	AP
24S		HD					HD



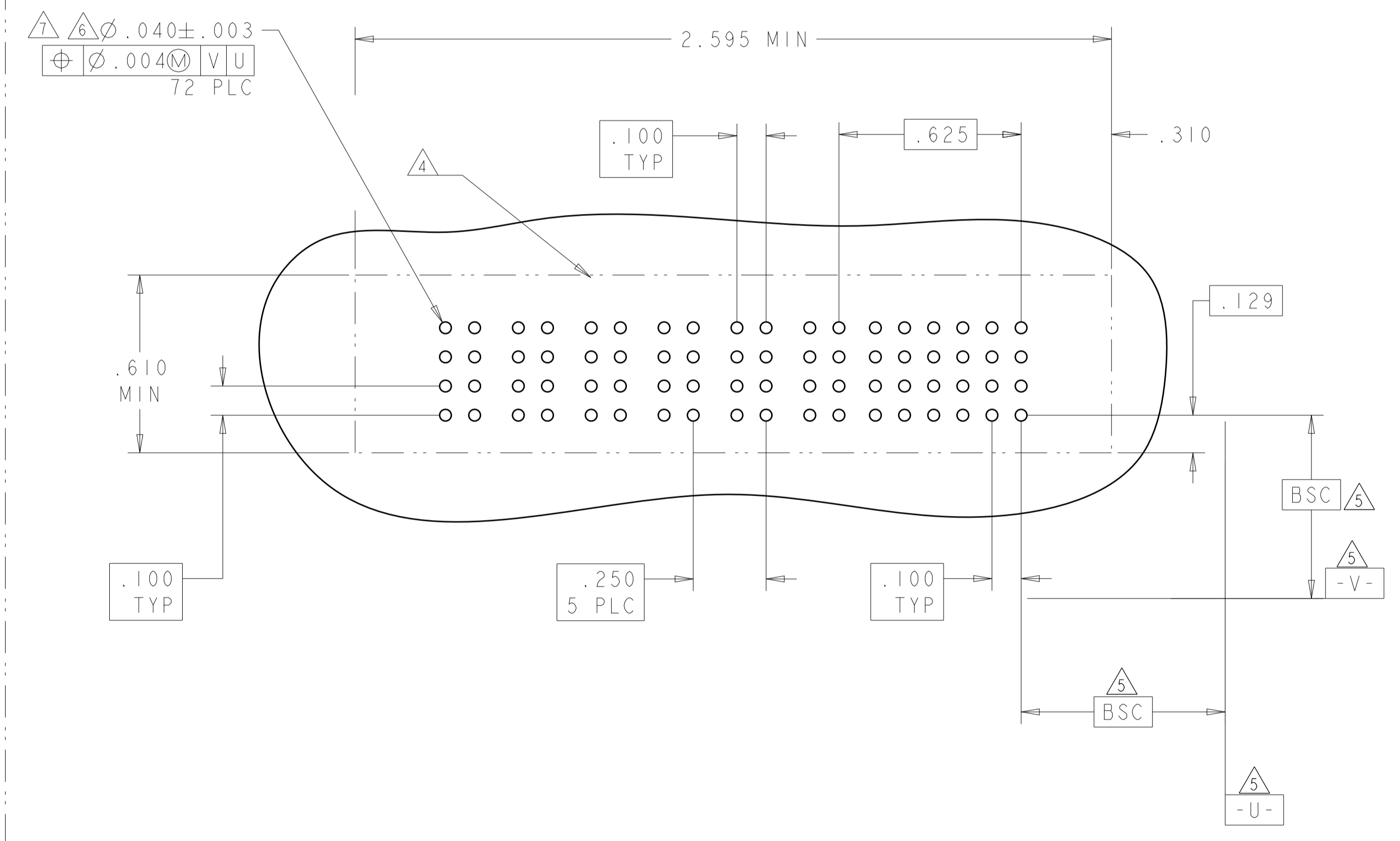
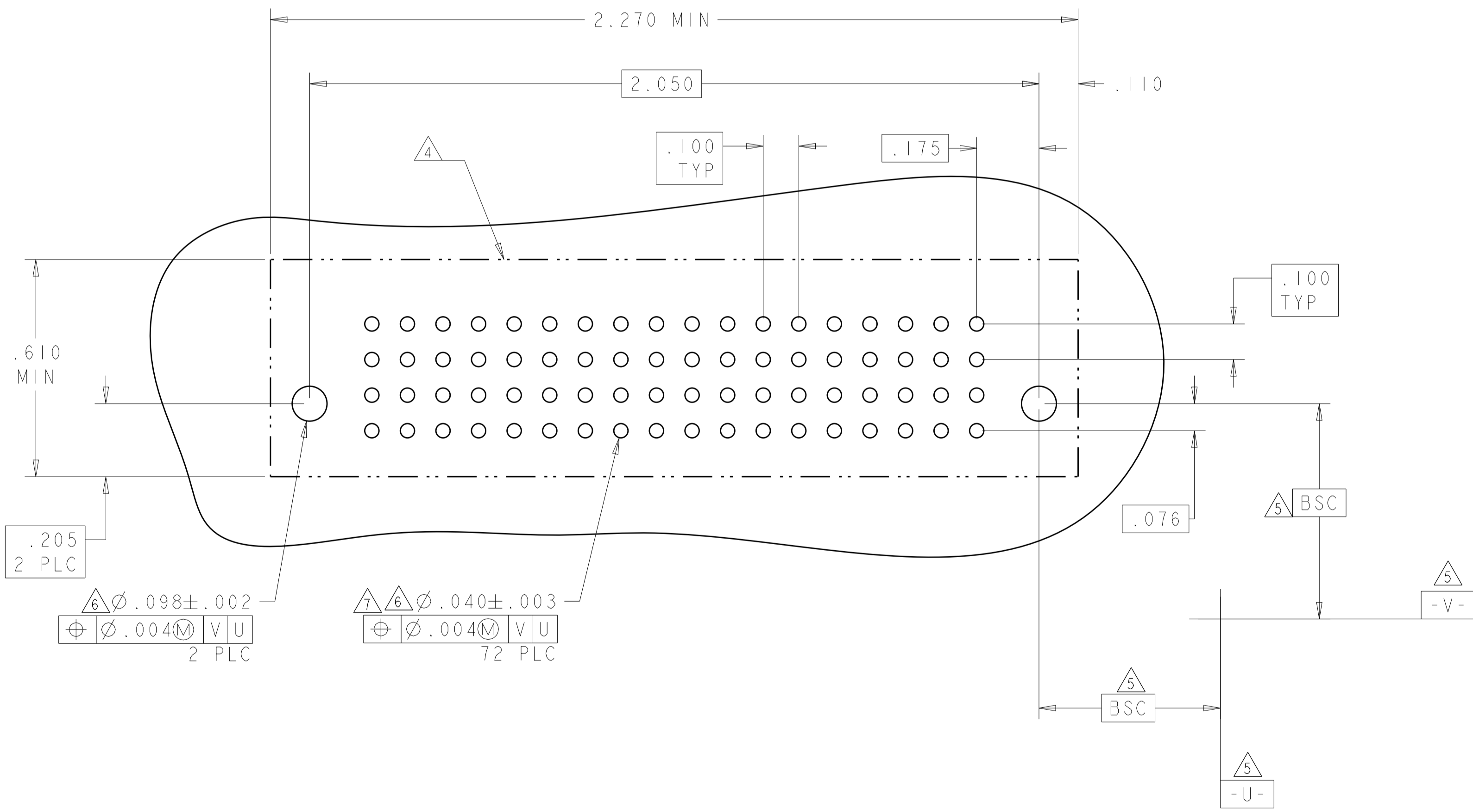
CODE	CONTACT TABLE
HS	STD POWER PRESS FIT CONTACT .165"
BP	SIGNAL PRESS FIT CONTACT .165"
AP	SIGNAL PRESS FIT CONTACT .135"
GP	MFBL POWER PRESS FIT CONTACT .135"
GS	STD POWER PRESS FIT CONTACT .135"
TAIL LENGTH	

THIS DRAWING IS A CONTROLLED DOCUMENT.		DWN C. ZHOU CHK S. ZHAO	88MM2008 88MM2008	TE Connectivity VERVE GABE REPER S&CMB ASSEMBLY W/ WITH ISH FOR TO LOUDEDSE, PRESSSS FRITT MULTI-MELAM-HELEAM XLE
DIMENSIONS: INCHES	TOLERANCES UNLESS OTHERWISE SPECIFIED:	APVD S. YAO	NAME PRODUCT SPEC 108-2292 APPLICATION SPEC 114-13058	
MATERIAL	FINISH	WEIGHT	SIZE CAGE CODE DRAWING NO 100779	RESTRICTED TO REV G5
CUSTOMER DRAWING			SCALE 4:1	SHEET 3 OF 11

LOC	DIST	REVISIONS					
ES	00	P	LTN	DESCRIPTION	DATE	DWN	APVD
				SEE SHEET 1			

PART NUMBER	ROWS	SIGNAL																	
		18	17	16	15	14	13	12	11	10	9	8	7	6	5	4	3	2	1
6450861-2	D C B A	AP	AP	AP	AP	AP	AP	AP	AP	AP	AP	AP	AP	AP	AP	AP	AP	AP	AP
		AP	AP	AP	AP	AP	AP	AP	AP	AP	AP	AP	AP	AP	AP	AP	AP	AP	AP
		AP	AP	AP	AP	AP	AP	AP	AP	AP	AP	AP	AP	AP	AP	AP	AP	AP	AP
		AP	AP	AP	AP	AP	AP	AP	AP	AP	AP	AP	AP	AP	AP	AP	AP	AP	AP
72S																			

PART NUMBER	ROWS	POWER						SIGNAL					
		P6	P5	P4	P3	P2	P1	6	5	4	3	2	1
6450861-4	D C B A	GS	GS	GS	GS	GS	GS	AP	AP	AP	AP	AP	AP
		GS	GS	GS	GS	GS	GS	AP	AP	AP	AP	AP	AP
		GS	GS	GS	GS	GS	GS	AP	AP	AP	AP	AP	AP
		GS	GS	GS	GS	GS	GS	AP	AP	AP	AP	AP	AP
24S + 6P													

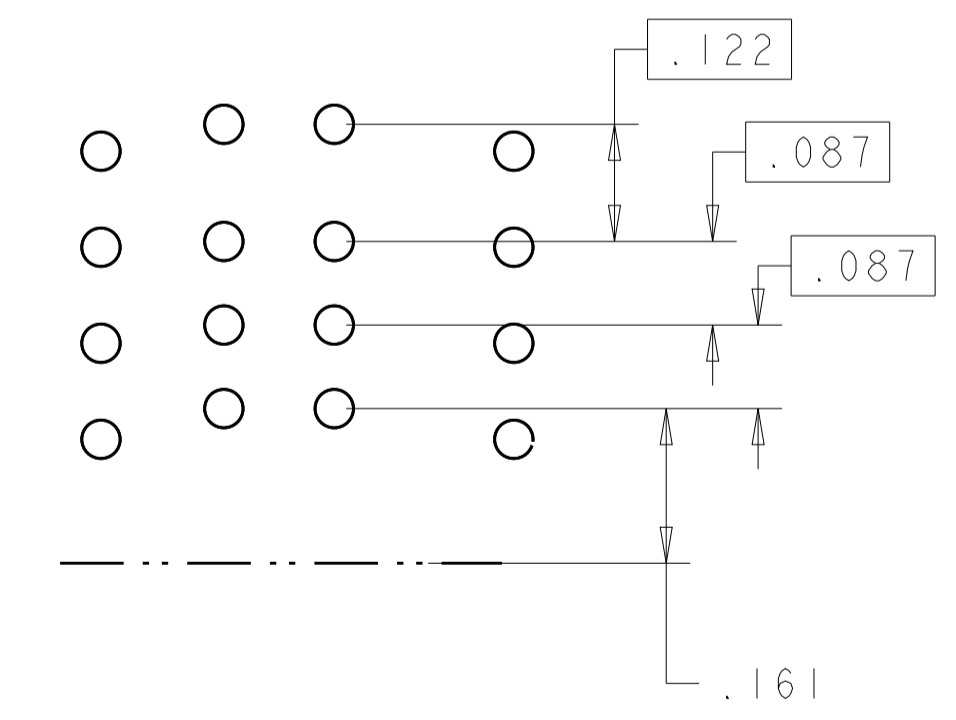
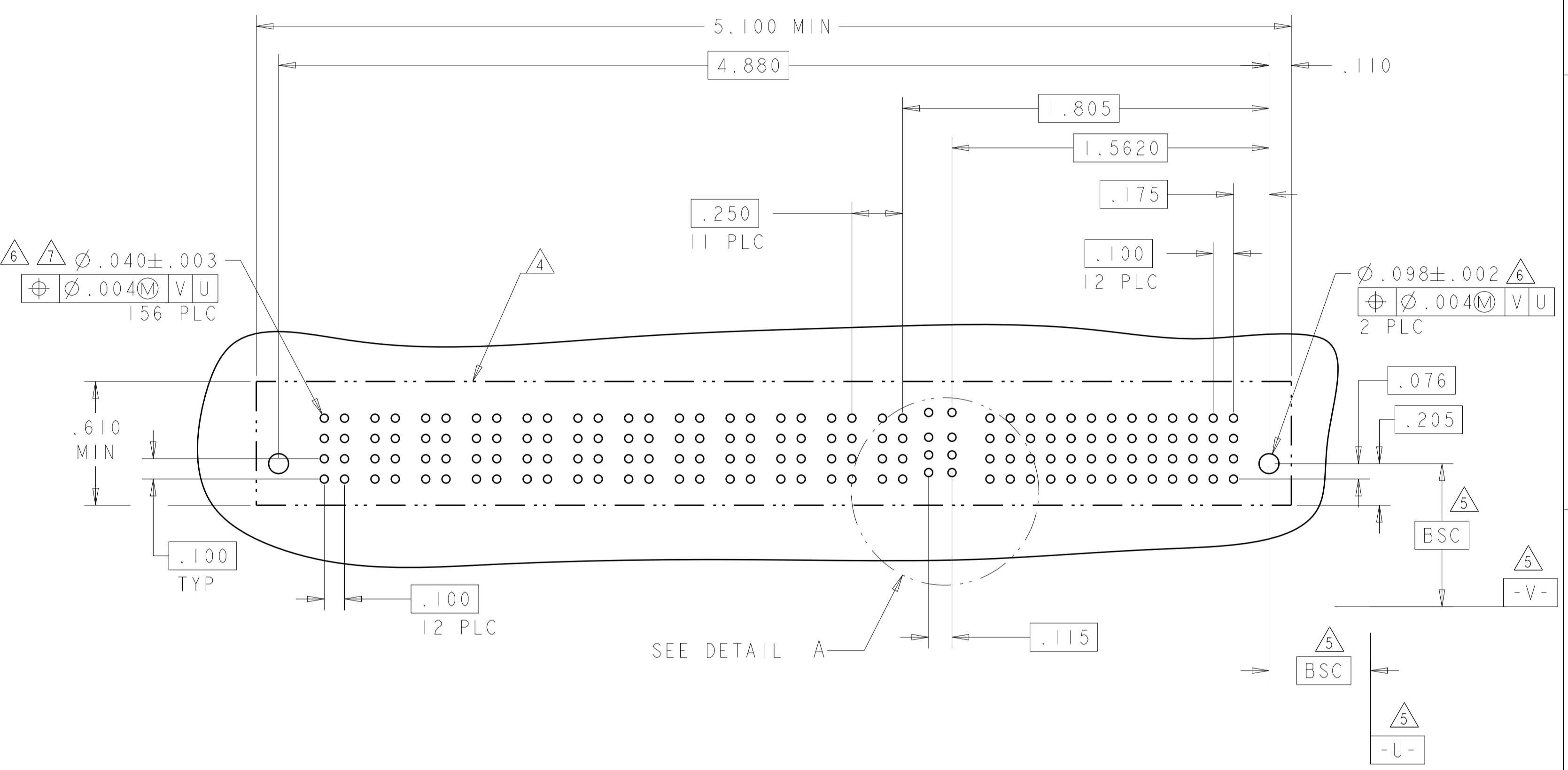
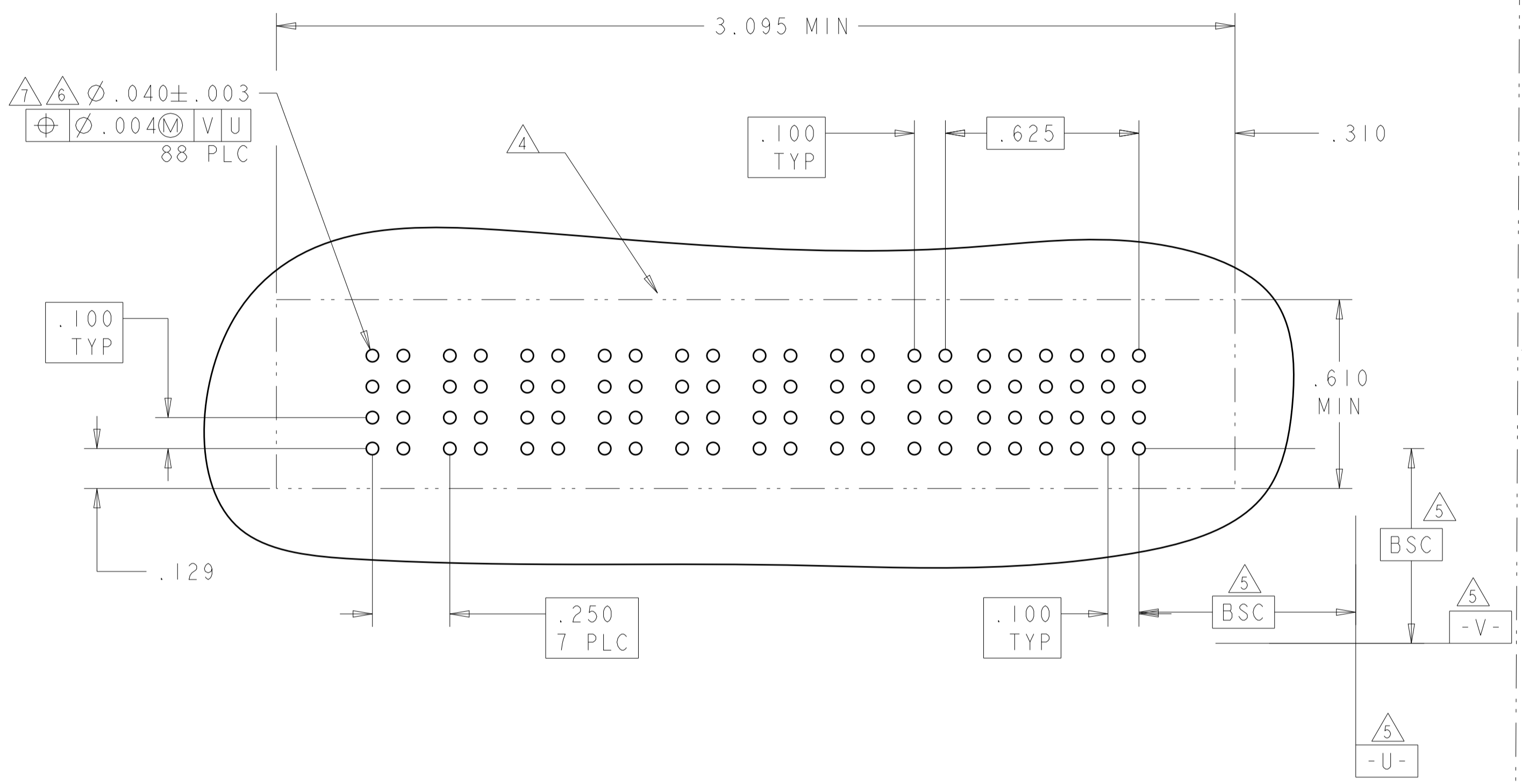


THIS DRAWING IS A CONTROLLED DOCUMENT.		DWN C. ZHOU	80602008	STE TE Connectivity
DIMENSIONS: INCHES		CHK S. ZHAO	80602008	
TOLERANCES UNLESS OTHERWISE SPECIFIED:		NAME S. YAO		VERVE GABE REPER SCSMB ASSEMBLY W/ WITH ISH FOR TO LOUDEDSE, HRESSSS FFIHT MULTI-MELAM-HELEAM XLE
0 PLC ± 1 PLC ±.01 2 PLC ±.01 3 PLC ±.005 4 PLC ±.002 ANGLES ±2°		PRODUCT SPEC 108-2292		
MATERIAL		APPLICATION SPEC 114-13058		SIZE A1
FINISH		WEIGHT		CAGE CODE 100779
		CUSTOMER DRAWING		DRAWING NO 6450861
		SCALE 4:1		SHEET 4
				OF 11
				REV 66

LOC	DIST	REVISIONS			
P	LTN	DESCRIPTION	DATE	DWN	APVD
-	-	SEE SHEET 1	-	-	-

PART NUMBER	ROWS	POWER								SIGNAL					
		P8	P7	P6	P5	P4	P3	P2	P1	6	5	4	3	2	1
6450861-5	D C B A	GS	GS	GS	GS	GS	GS	GS	GS	AP	AP	AP	AP	AP	AP
		GS	GS	GS	GS	GS	GS	GS	GS	AP	AP	AP	AP	AP	AP
		GS	GS	GS	GS	GS	GS	GS	GS	AP	AP	AP	AP	AP	AP
24S + 8P															

PART NUMBER	ROWS	POWER												SIGNAL																							
		P12	P11	P10	P9	P8	P7	P6	P5	P4	P3	P2	P1	LP2	LPI	13	12	11	10	9	8	7	6	5	4	3	2	1									
6450861-6	D C B A	GS	GS	GS	GS	GS	GS	GS	GS	GS	GS	GS	GS	GS	LS1	LS1	AP	AP	AP	AP	AP	AP	AP	AP	AP	AP	AP	AP	AP	AP	AP	AP	AP	AP	AP	AP	AP
		GS	GS	GS	GS	GS	GS	GS	GS	GS	GS	GS	GS	GS	LS1	LS1	AP	AP	AP	AP	AP	AP	AP	AP	AP	AP	AP	AP	AP	AP	AP	AP	AP	AP	AP	AP	AP
		GS	GS	GS	GS	GS	GS	GS	GS	GS	GS	GS	GS	GS	LS1	LS1	AP	AP	AP	AP	AP	AP	AP	AP	AP	AP	AP	AP	AP	AP	AP	AP	AP	AP	AP	AP	AP
52S + 2LP + 12P																																					



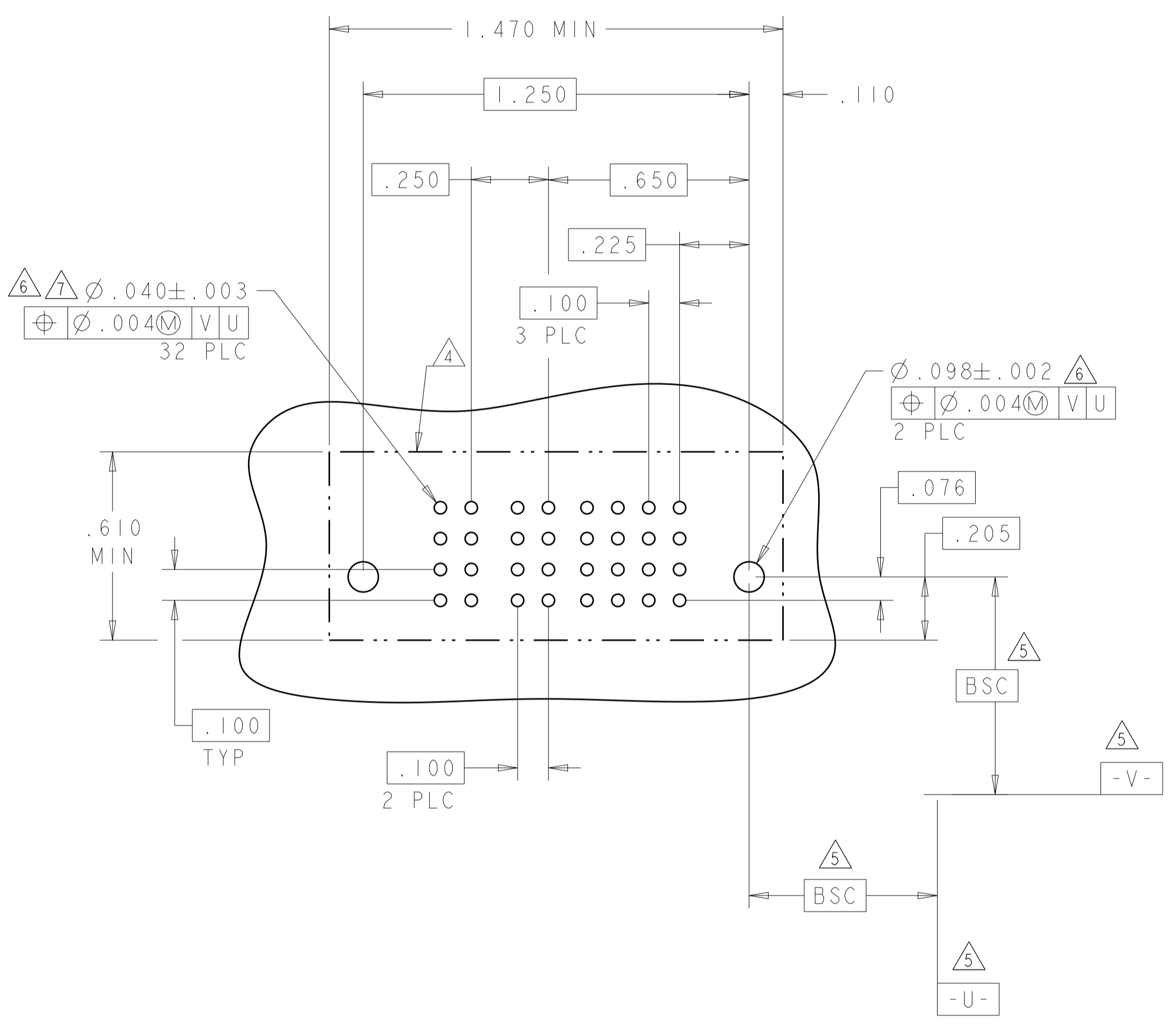
DETAIL A
SCALE 5:1

THIS DRAWING IS A CONTROLLED DOCUMENT.		DWN C. ZHOU	88MNR2008	STE TE Connectivity
DIMENSIONS: INCHES		CHK S. ZHAO	88MNR2008	
TOLERANCES UNLESS OTHERWISE SPECIFIED:		APVD S. YAO	NAME	VERVIEW REVERSE ASSEMBLY
0 PLC ±.01		PRODUCT SPEC	108-2292	W/ WITH ISH FOR TO LOUDEDSE, HRESSS FRHT
1 PLC ±.01		APPLICATION SPEC	114-13058	MULTI-MELEM-HELEAM XLE
2 PLC ±.01		WEIGHT	A100779	SCALE 4:1 SHEET 5 OF 11 REV 66
3 PLC ±.005		CUSTOMER DRAWING	6450861	
4 PLC ±.002				
ANGLES ±.020				
FINISH				

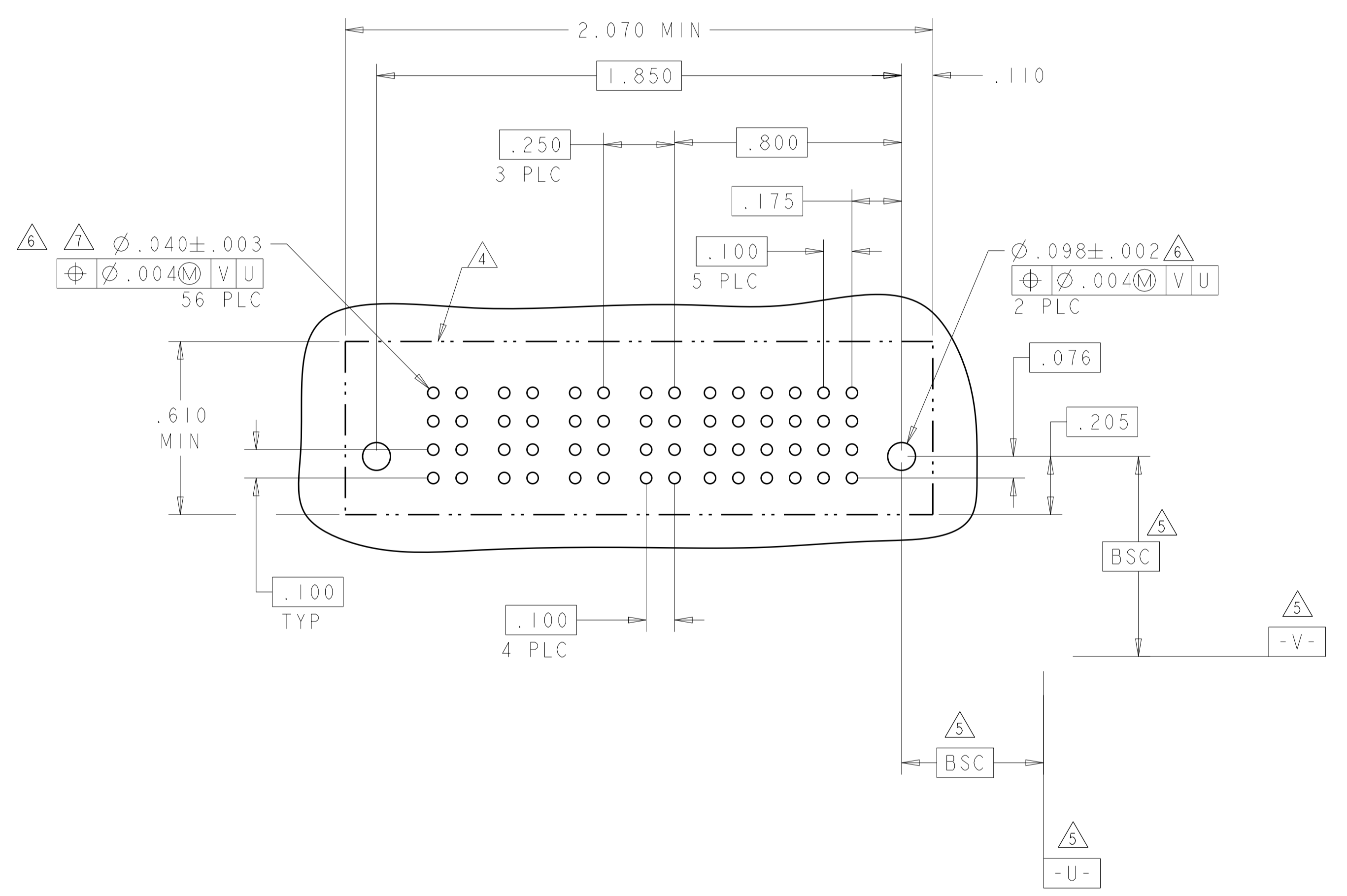
LOC		DIST		REVISIONS			
ES	00	P	LTH	DESCRIPTION	DATE	DWN	APVD
				SEE SHEET 1			

PART NUMBER	ROWS	POWER		SIGNAL				HD	HD
		P2	P1	4	3	2	1		
6450861-8	D C B A	GS	GS	AP	AP	AP	AP	HD	HD
				AP	AP	AP	AP		
				AP	AP	AP	AP		
				AP	AP	AP	AP		
16S + 2P									

PART NUMBER	ROWS	POWER				SIGNAL					HD	HD	
		P4	P3	P2	P1	6	5	4	3	2			1
6450861-9	D C B A	GP	GP	GP	GP	AP	AP	AP	AP	AP	AP	HD	HD
						AP	AP	AP	AP	AP	AP		
						AP	AP	AP	AP	AP	AP		
						AP	AP	AP	AP	AP	AP		
24S + 4P													



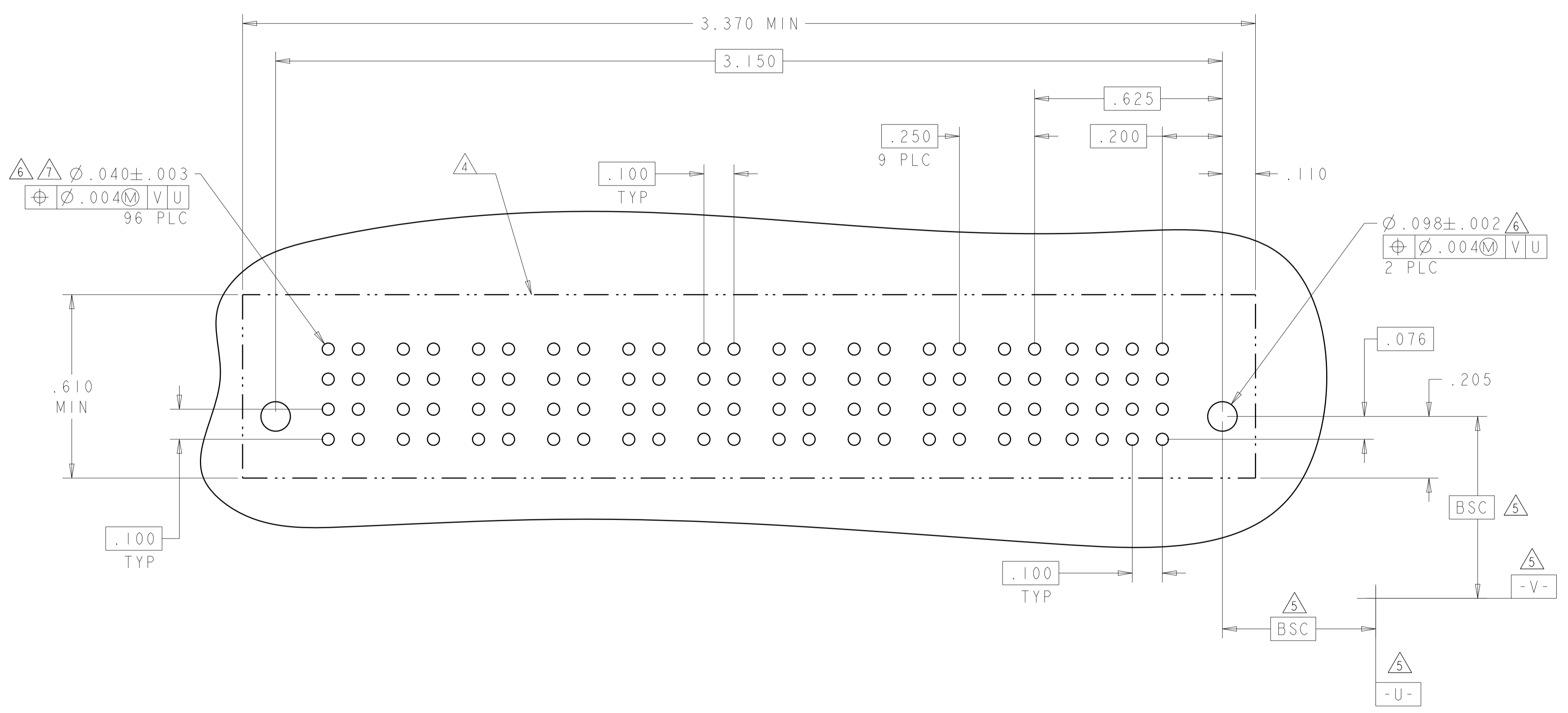
(F)



THIS DRAWING IS A CONTROLLED DOCUMENT.		DWN: C.ZHOU	808082008		TE Connectivity
DIMENSIONS: INCHES		CHK: S.ZHAO	808082008		NAME: VERVIEWBAREBERSSEMBASSEMBLY
TOLERANCES UNLESS OTHERWISE SPECIFIED:		APVD: S.YAO		PRODUCT SPEC: 108-2292	
0 PLC ±.01				APPLICATION SPEC: 114-13058	
1 PLC ±.01				SIZE: A1	
2 PLC ±.01				CAGE CODE: 6450861	
3 PLC ±.005				DRAWING NO: 114-13058	
4 PLC ±.002				WEIGHT: -	
ANGLES ±.2°				CUSTOMER DRAWING	
FINISH: -				SCALE: 4:1	
				SHEET 6 OF 11	
				REV 66	

LOC	DIST	REVISIONS			
ES	00	REV	DATE	BY	APPD
-	-	SEE SHEET 1	-	-	-

PART NUMBER	ROWS	POWER										SIGNAL			
		P10	P9	P8	P7	P6	P5	P4	P3	P2	P1	4	3	2	1
I-6450861-1	D C B A	GS	GS	GS	GS	GS	GS	GS	GS	GS	GS	AP	AP	AP	AP
		GS	GS	GS	GS	GS	GS	GS	GS	GS	GS	AP	AP	AP	AP
		GS	GS	GS	GS	GS	GS	GS	GS	GS	GS	AP	AP	AP	AP
		GS	GS	GS	GS	GS	GS	GS	GS	GS	GS	AP	AP	AP	AP
16S + 10P															

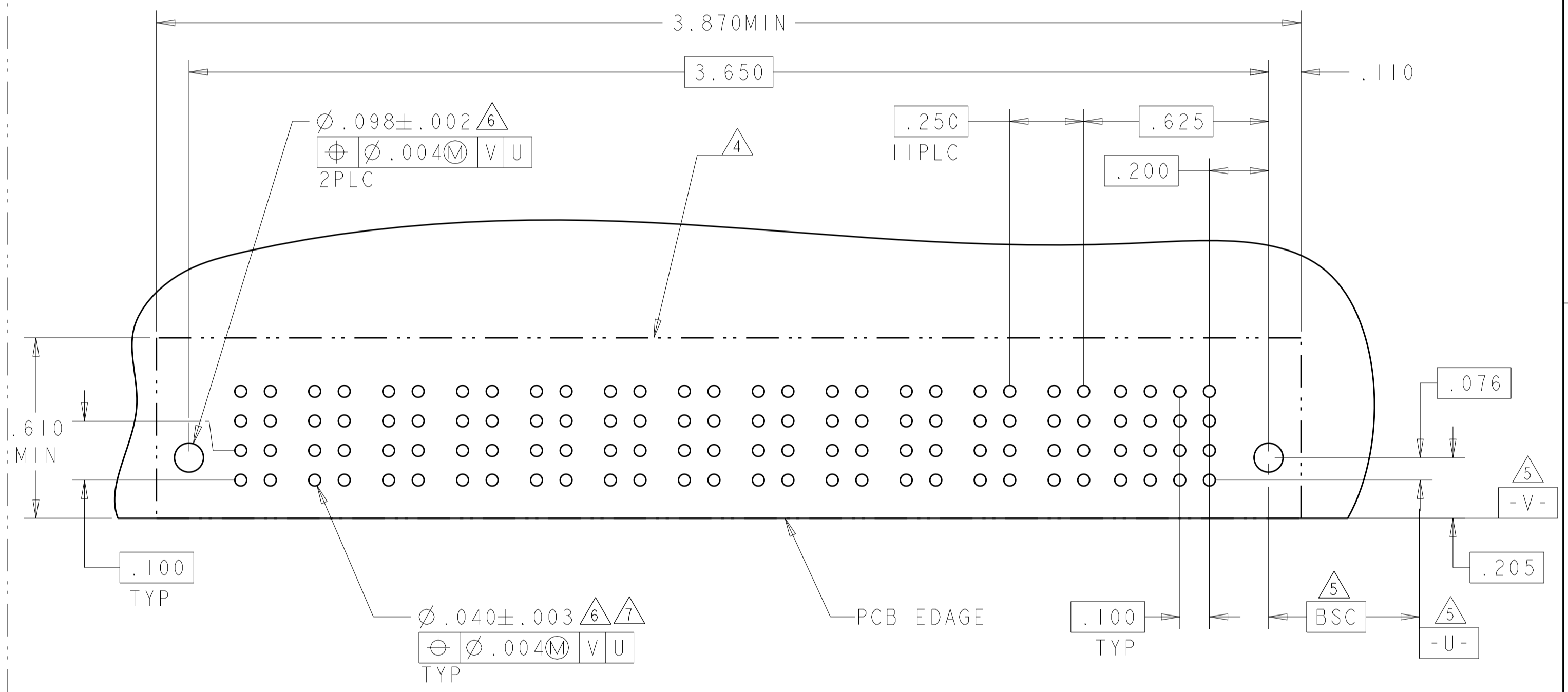
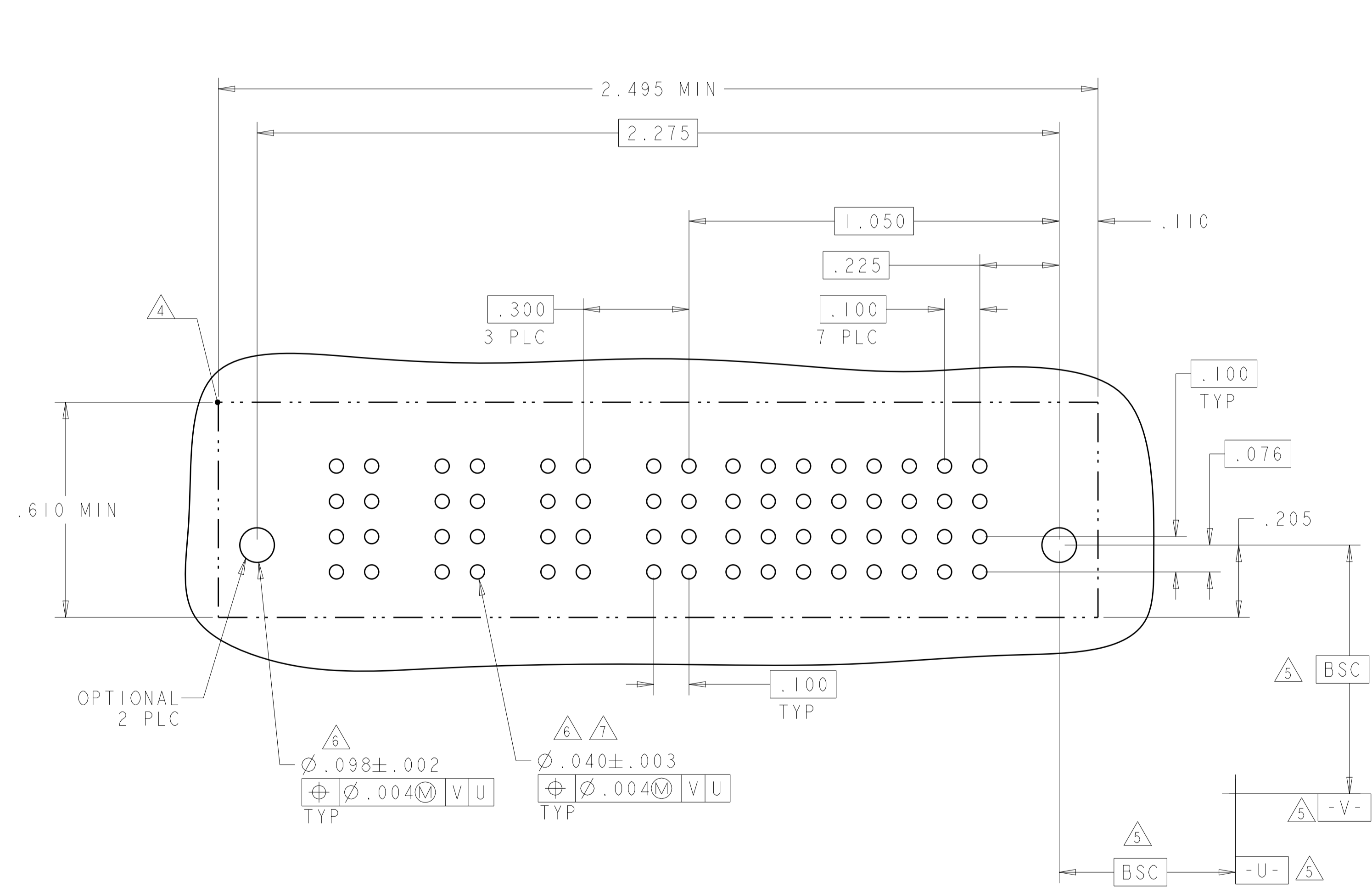


THIS DRAWING IS A CONTROLLED DOCUMENT.		DWN C. ZHOU	88M8208		TE Connectivity	
DIMENSIONS: INCHES		CHK S. ZHAO	88M8208		NAME VERVIEWBAREBERSSEMBLY	
TOLERANCES UNLESS OTHERWISE SPECIFIED:		APVD S. YAO		PRODUCT SPEC 108-2292		
0 PLC ±				APPLICATION SPEC		
1 PLC ±.01				SIZE 114-13058		
2 PLC ±.01				WEIGHT		
3 PLC ±.005				CAGE CODE A100779		
4 PLC ±.0020				DRAWING NO C=6450861		
ANGLES FINISH				RESTRICTED TO		
MATERIAL				SCALE 4:1		
CUSTOMER DRAWING				SHEET 7 OF 11		
				REV 66		

LOC	DIST	REVISIONS			
		REV	DATE	BY	APPV
ES	00				
		SEE SHEET 1			

PART NUMBER	ROWS	POWER				SIGNAL								
		P4	P3	P2	P1	8	7	6	5	4	3	2	1	
1-6450861-2	D C B A	GP	GP	GP	GP	AP	AP	AP	AP	AP	AP	AP	AP	AP
		GP	GP	GP	GP	AP	AP	AP	AP	AP	AP	AP	AP	
		GP	GP	GP	GP	AP	AP	AP	AP	AP	AP	AP	AP	
		GP	GP	GP	GP	AP	AP	AP	AP	AP	AP	AP	AP	
32S + 4ACP														

PART NUMBER	ROWS	POWER												SIGNAL				
		P12	P11	P10	P9	P8	P7	P6	P5	P4	P3	P2	P1	4	3	2	1	
1-6450861-3	D C B A	GS	GS	GS	GS	GS	GS	GS	GS	GS	GS	GS	GS	GS	GS	GS	GS	GS
		GS	GS	GS	GS	GS	GS	GS	GS	GS	GS	GS	GS	GS	GS	GS	GS	GS
		GS	GS	GS	GS	GS	GS	GS	GS	GS	GS	GS	GS	GS	GS	GS	GS	GS
		GS	GS	GS	GS	GS	GS	GS	GS	GS	GS	GS	GS	GS	GS	GS	GS	GS
16S + 12P																		



RECOMMENDED PCB LAYOUT

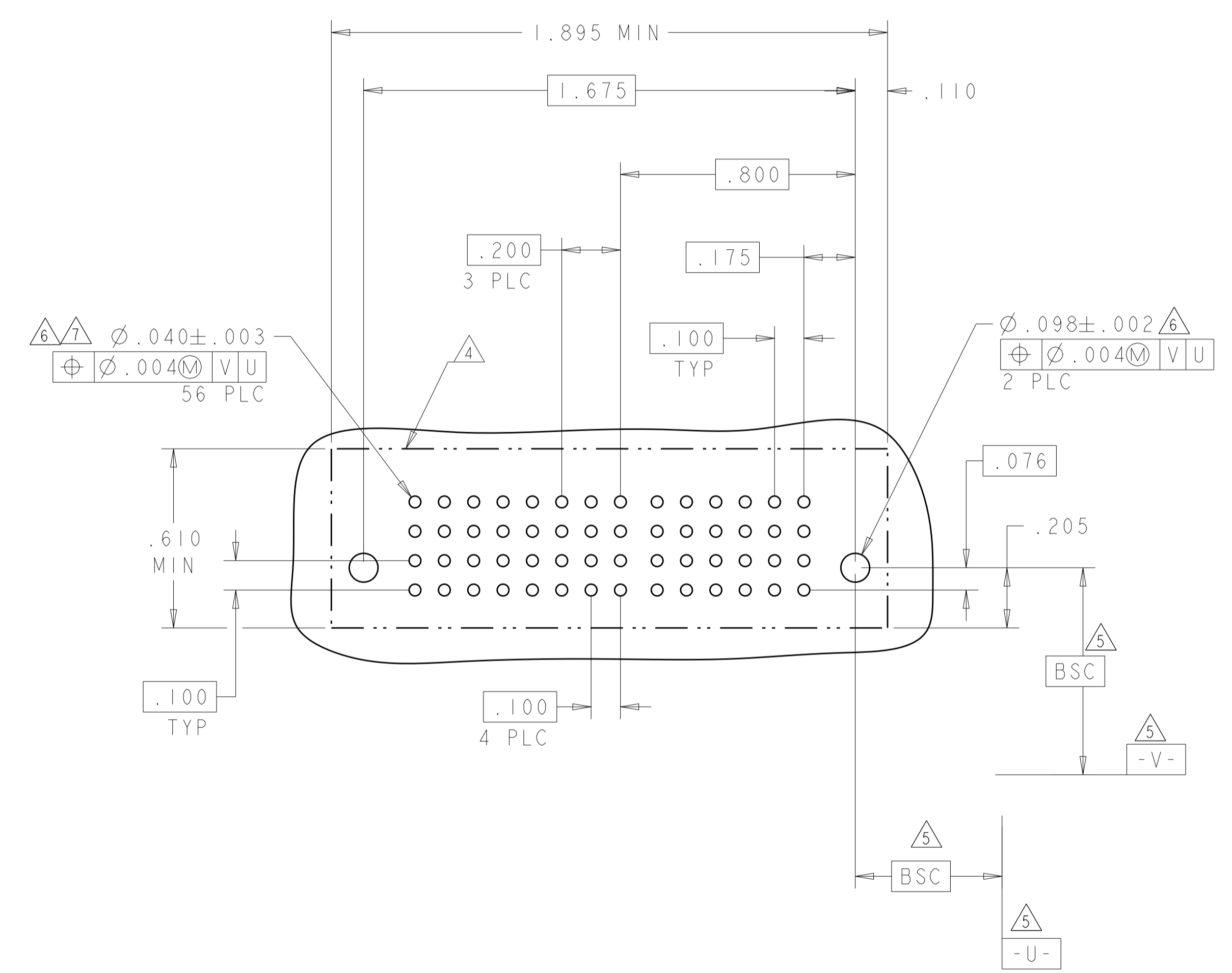
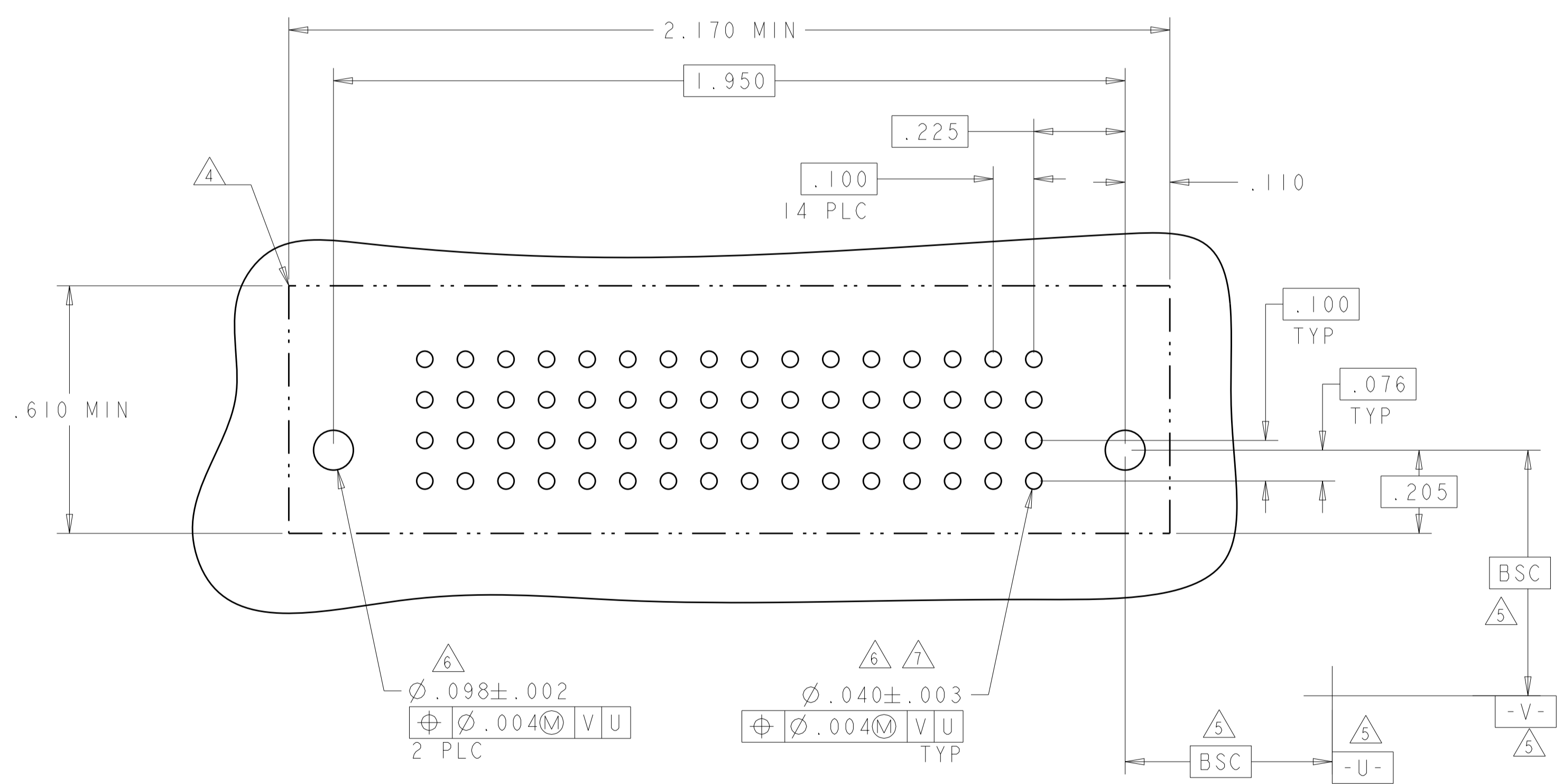
THIS DRAWING IS A CONTROLLED DOCUMENT.		DWN C. ZHOU 20JUN2012	NAME	TE Connectivity VERTICAL RECEPTACLE ASSEMBLY WITH SHORT GUIDE, PRESS FIT MULTI-BEAM XLE
DIMENSIONS: INCHES		CHK S. ZHAO 20JUN2012	PRODUCT SPEC 108-2292	
TOLERANCES UNLESS OTHERWISE SPECIFIED:		APVD	APPLICATION SPEC 114-13251	RESTRICTED TO
0 PLC ± 1 PLC ± 2 PLC ± 3 PLC ±.005 4 PLC ±.0020 ANGLES ±.2°		WEIGHT	SCALE	SHEET 8 OF 11
MATERIAL		FINISH	Customer Drawing	REV G5

LOC		DIST		REVISIONS			
ES	00	P	LTN	DESCRIPTION	DATE	DMN	APVD
		-		SEE SHEET 1			

F6

PART NUMBER	ROWS	SIGNAL															
		16	15	14	13	12	11	10	9	8	7	6	5	4	3	2	1
1-6450861-4	D	BP	BP	BP	BP	BP	BP	BP	BP	BP	BP	BP	BP	BP	BP	BP	
	C	BP	BP	BP	BP	BP	BP	BP	BP	BP	BP	BP	BP	BP	BP	BP	
	B	BP	BP	BP	BP	BP	BP	BP	BP	BP	BP	BP	BP	BP	BP	BP	
	A	BP	BP	BP	BP	BP	BP	BP	BP	BP	BP	BP	BP	BP	BP	BP	
64S		HD															HD

PART NUMBER	ROWS	POWER				SIGNAL					
		P4	P3	P2	P1	6	5	4	3	2	1
1-6450861-5	D					AP	AP	AP	AP	AP	AP
	C					AP	AP	AP	AP	AP	AP
	B	GS	GS	GS	GS	AP	AP	AP	AP	AP	AP
	A	HD				AP	AP	AP	AP	AP	AP
24S + 4P											



THIS DRAWING IS A CONTROLLED DOCUMENT.		DMN: C.ZHOU 20JUN2012	TE Connectivity
DIMENSIONS: INCHES		CHK: S.ZHAO 20JUN2012	
TOLERANCES UNLESS OTHERWISE SPECIFIED: 0 PLC ± 1 PLC ± 2 PLC ± 3 PLC ±.005 4 PLC ±.0020 ANGLES ±.7° FINISH		PRODUCT SPEC: 108-2292 APPLICATION SPEC: 114-13251 WEIGHT:	NAME: VERTICAL RECEPTACLE ASSEMBLY WITH SHORT GUIDE, PRESS FIT MULTI-BEAM XLE SIZE: A1 CAGE CODE: 00779 DRAWING NO: 6450861
MATERIAL: -		RESTRICTED TO: -	SCALE: 1:1 SHEET: 9 OF 11 REV: G5

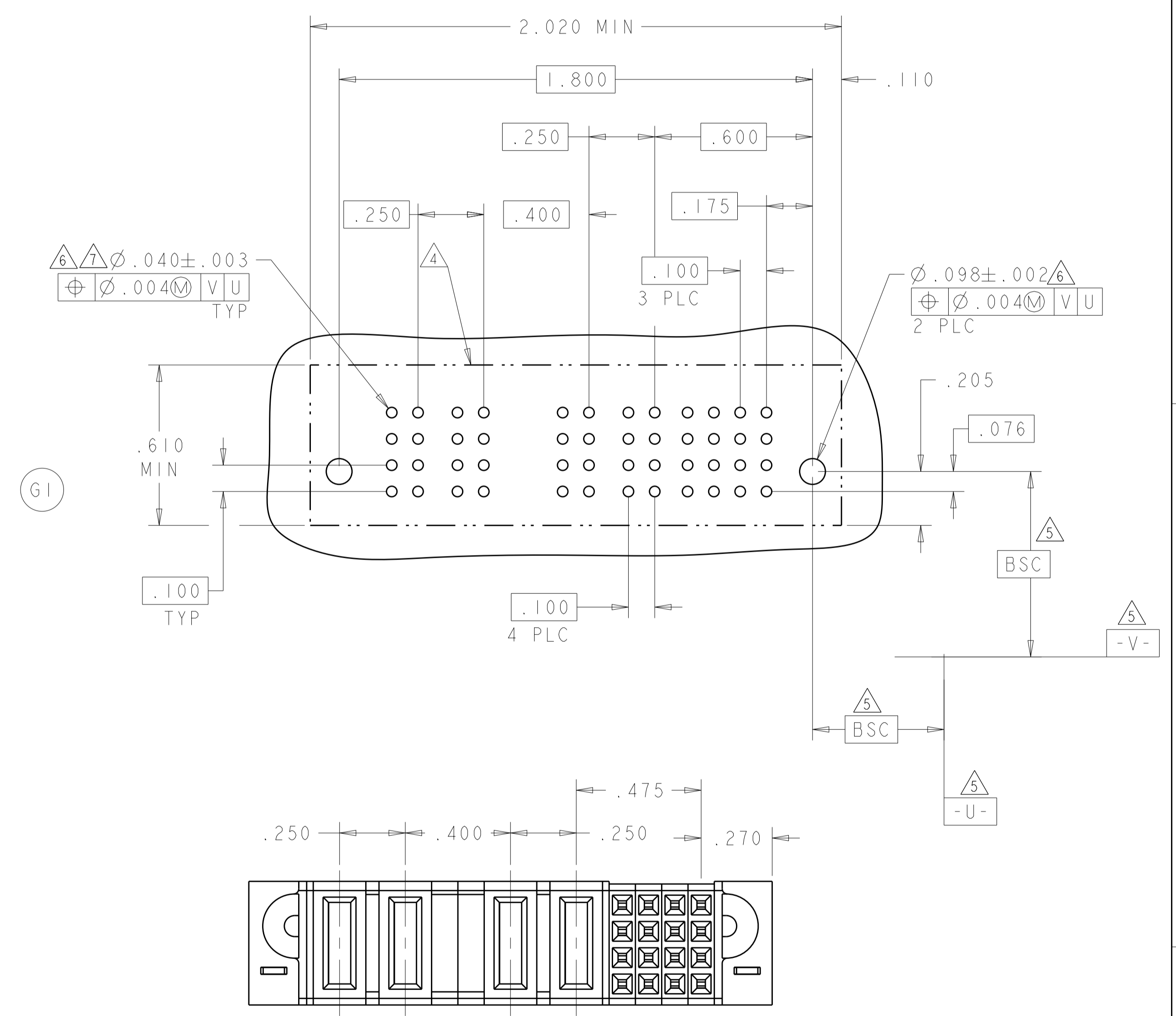
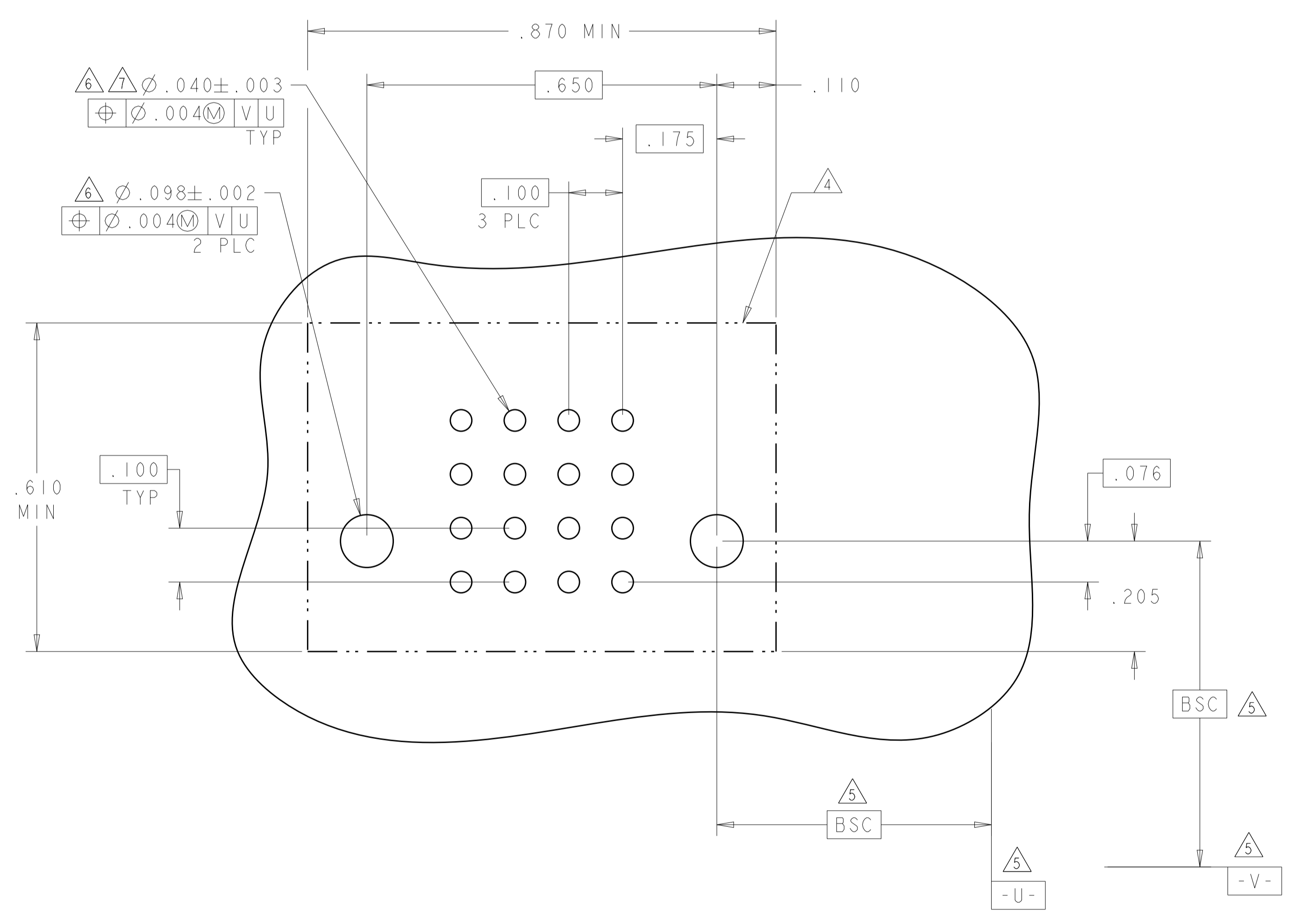
LOC		DIST		REVISIONS			
ES	00	P	LTN	DESCRIPTION	DATE	DMN	APVD
		-		SEE SHEET 1			

PART NUMBER	ROWS	SIGNAL			
		4	3	2	1
1-6450861-6	D	AP	AP	AP	AP
	C	AP	AP	AP	AP
	B	AP	AP	AP	AP
	A	AP	AP	AP	AP

16S

PART NUMBER	ROWS	POWER				SIGNAL				
		P4	P3	-	P2	P1	4	3	2	1
1-6450861-7	D	VS	VS	-	VS	VS	P	P	P	P
	C	VS	VS	-	VS	VS	P	P	P	P
	B	VS	VS	-	VS	VS	P	P	P	P

16S + 4P



PART 1-6450861-7

HD	HOLD DOWN
P	SIGNAL PRESS FIT CONTACT .115"
VS	STD POWER PRESS FIT CONTACT .115"
CODE	TAIL LENGTH
CONTACT TABLE	

THIS DRAWING IS A CONTROLLED DOCUMENT. DWG: C. ZHOU 20JUN2012
 CHK: S. ZHAO 20JUN2012
 APVD: -

TE Connectivity

NAME: VERTICAL RECEPTACLE ASSEMBLY WITH SHORT GUIDE, PRESS FIT MULTI-BEAM XLE

PRODUCT SPEC: 108-2292
 APPLICATION SPEC: 114-13251

SIZE: A1
 CAGE CODE: 6450861
 DRAWING NO: 114-13251

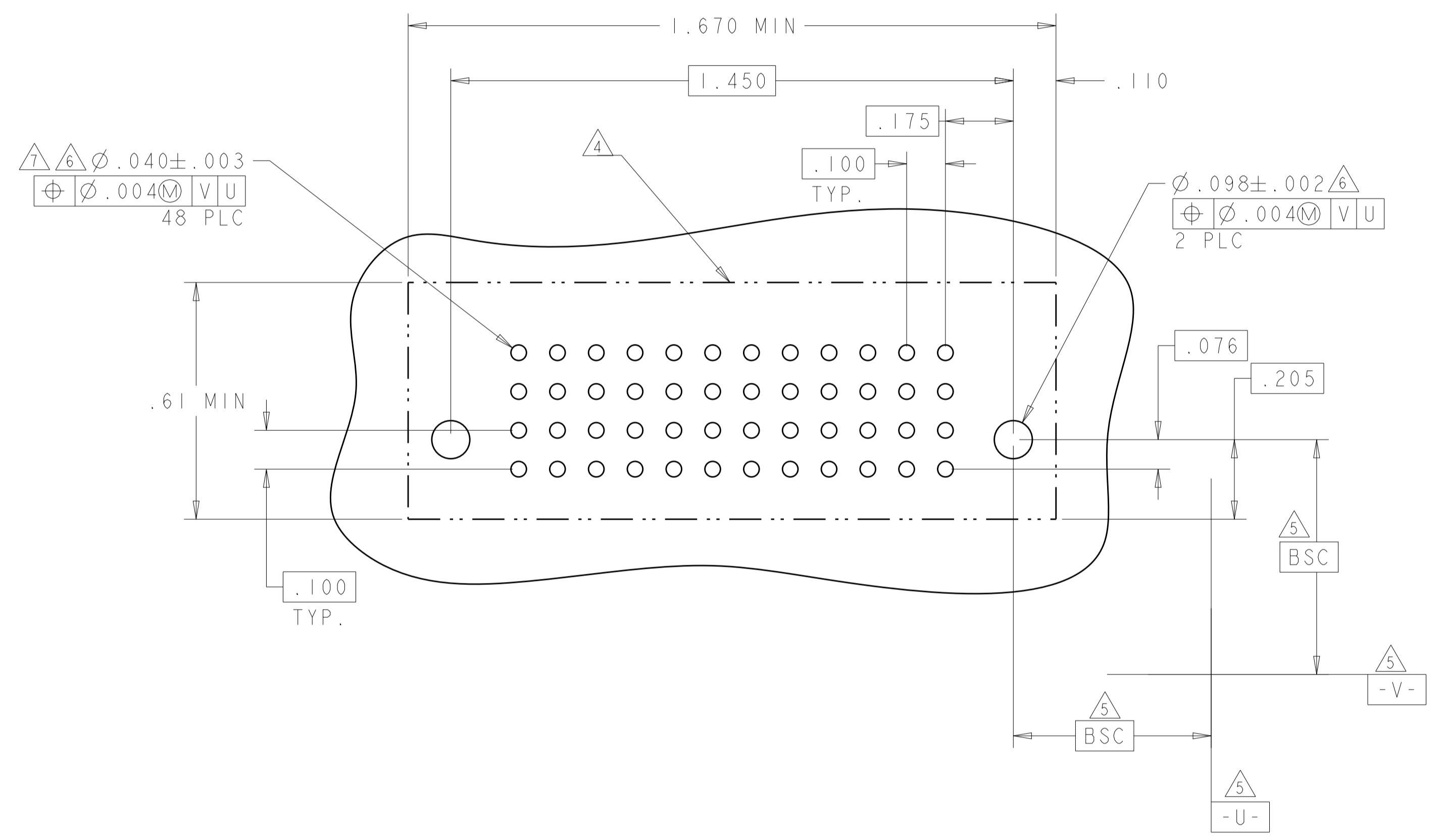
RESTRICTED TO: -

Customer Drawing SCALE: 1:1 SHEET 10 OF 11 REV: G5

LOC	DIST	REVISIONS			
P	LTN	DESCRIPTION	DATE	DMN	APVD
-	-	SEE SHEET 1	-	-	-

PART NUMBER	ROWS	SIGNAL											
		12	11	10	9	8	7	6	5	4	3	2	1
1-6450861-8	D C B A	AP	AP	AP	AP	AP	AP	AP	AP	AP	AP	AP	AP
		AP	AP	AP	AP	AP	AP	AP	AP	AP	AP	AP	AP
		AP	AP	AP	AP	AP	AP	AP	AP	AP	AP	AP	AP
		AP	AP	AP	AP	AP	AP	AP	AP	AP	AP	AP	AP
48S		HD											HD

G5



THIS DRAWING IS A CONTROLLED DOCUMENT.		DMN C. ZHOU 20JUN2012	TE Connectivity	
DIMENSIONS: INCHES		CHK S. ZHAO 20JUN2012	NAME	
TOLERANCES UNLESS OTHERWISE SPECIFIED:		APVD	PRODUCT SPEC	
0 PLC ±		108-2292		
1 PLC ±		APPLICATION SPEC		
2 PLC ±		114-13251		
3 PLC ±.005		WEIGHT		
4 PLC ±.0020		Customer Drawing		
ANGLES ±.2°		SCALE 1:1 SHEET 11 OF 11 REV G5		
FINISH		RESTRICTED TO		
MATERIAL		A100779C=6450861		