

NX8045GB

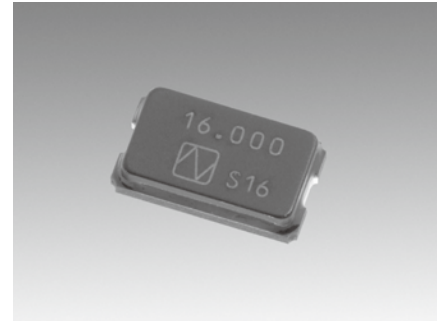
For Automotive

■ Features

A small surface-mount type crystal unit, ideal for Automotive.

Compatible with an engine control CPU clock delivering the high reliability that is particularly demanded.

- Stable start-up characteristic even under extremely severe environmental conditions.
- Excellent environmental characteristics, including heat, vibration and shock resistance.
- Meets the requirements for re-flow profiling using lead-free solder.
- Conforms to AEC-Q200.

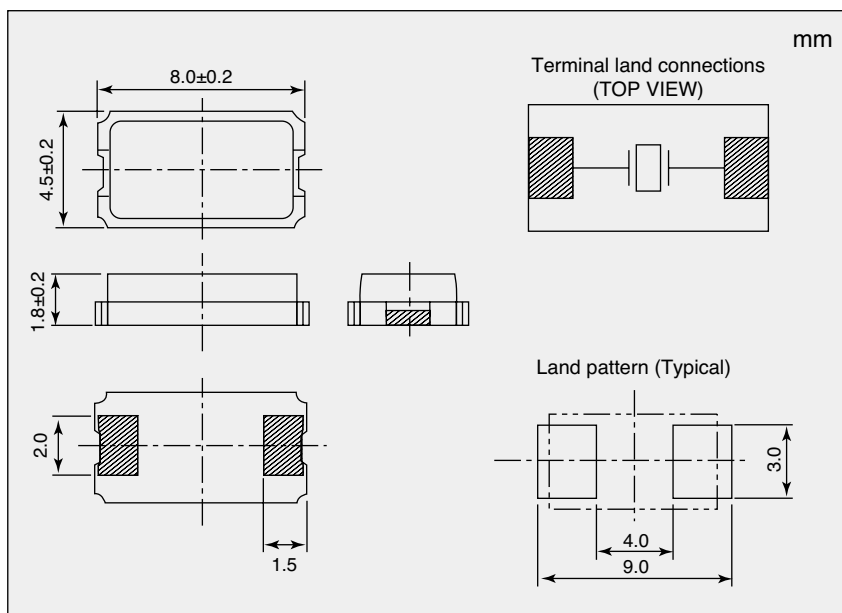


RoHS Compliant
Directive 2011/65/EU

■ Specifications

| Item | Model | NX8045GB |
|---|-------|-------------------------|
| Nominal Frequency | | 8 to 40 MHz |
| Overtone Order | | Fundamental |
| Frequency Tolerance (25 ±3 °C) | | ±50 × 10 ⁻⁶ |
| Frequency versus Temperature Characteristics (with reference to +25 °C) | | ±150 × 10 ⁻⁶ |
| Operating Temperature Range | | -40 to +150 °C |
| Storage Temperature Range | | -40 to +150 °C |
| Equivalent Series Resistance | | Refer to *1 |
| Level of Drive | | 10 μW (Max. 500 μW) |
| Load Capacitance | | 8 pF |
| Specifications Number | | STD-CSJ-1 |

■ Dimensions



*1 Equivalent Series Resistance

| Nominal frequency (MHz) | Equivalent Series Resistance max. [Ω] |
|-------------------------|---------------------------------------|
| 8 to 10 | 220 |
| 10 to 40 | 150 |

Please specify the model name, frequency, and specification number when you order products.
For further questions regarding specifications, please feel free to contact us.