

Model:LN114-2.5

Characteristics:

It is used for switching power supply,suppressing common mode interference signal.

Technical index:

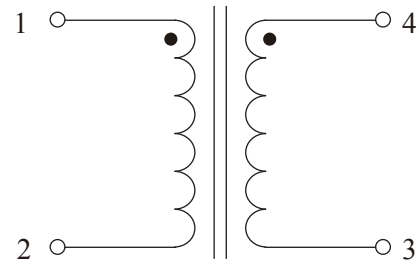
- Installation method: PCB
- Flame resistance: UL94-V0
- Operating temperature: -20℃~+100℃
- Storage temperature: -20℃~+100℃
- Frequency range: DC~1KHz
- Dielectric strength: 1.5KV/1min (between two coils)
4KV/1min (between coil&shell)



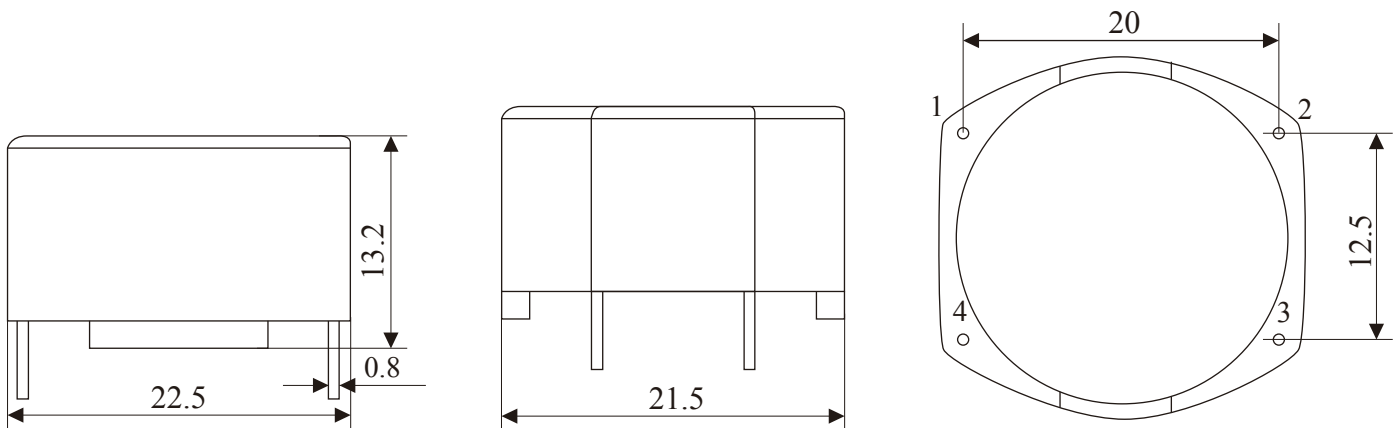
Electrical parameters:

Rated current	2.5	A
Inductance 1KHz,0.3V	3.3	mH
Inductance error	-30~+50	%
DC resistance	72	mΩ
Maximum operating voltage	250	V
Permissible inrush current	20 times of rated current(ms)	
Weight	10	g

Schematic wiring diagram:



Dimensions(in mm):



Front View

Side View

Bottom View