

## Overview

The C/CT-1216 clamp-on current sensor can be used to measure currents in live wires.

## Applications

Typical applications include EMS current measurement, high performance distributions boards, power conditioners, power monitoring systems, inverters and industrial machineries.

## Benefits

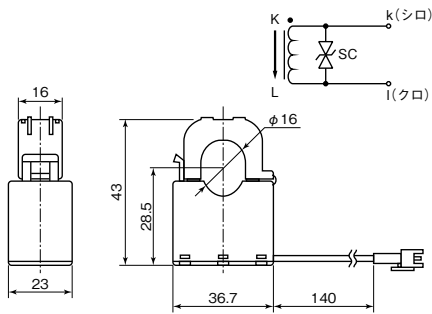
- Compact and slim design
- Flat temperature characteristics
- Flame retardant
- RoHS compliant



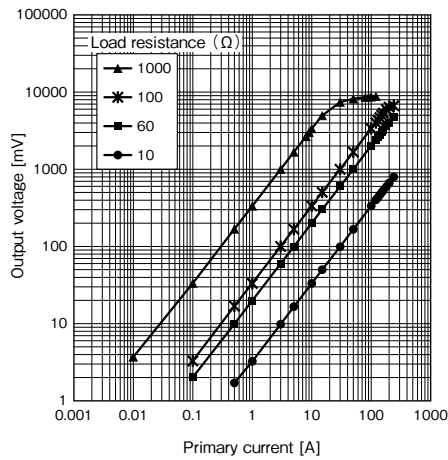
## Ordering Information

C/CT-	12	16
Series	Rated Current (A)	Diameter (mm)
C/CT	12 = 120	16

## Dimensions in mm



## Output Characteristics



## Environmental Compliance

All C/CT sensors are RoHS compliant.

## Temperature Characteristics

Operating Temperature Range (°C)	Storage Temperature Range (°C)
-20 to 60	-20 to 80

**Table 1 – Ratings & Part Number Reference**

Part Number	Rated Current <sup>1</sup> (A)	Applicable Current <sup>1</sup> (A)	Output Voltage <sup>2</sup> (mV)	Current Transformation Ratio	Output Protection (V)	Insulation Resistance
C/CT-1216	120	0.1 – 120	1,000+/-20	3,000	7.5	500 VDC to 100 MΩ

<sup>1</sup> 50Hz/60Hz

<sup>2</sup> Measurement conditions from output voltage:  $f = 50 \text{ Hz}$ ,  $R = 60 \Omega$ ,  $I_o = 50 \text{ A}$

## Precautions

### Before Using High Alternating Current Sensors, Snap-on Type

- Do NOT drop or apply any other mechanical stress.
- Preliminary study is required when heating by current conduction.
- Do NOT use the High Alternating Current Sensors, Snap-on Type, opened between secondary output terminals. Heat build-up in the magnetic core may occur, resulting in damages to the parts by melting of the coil.

## KEMET Corporation World Headquarters

2835 KEMET Way  
Simpsonville, SC 29681

Mailing Address:  
P.O. Box 5928  
Greenville, SC 29606

www.kemet.com  
Tel: 864-963-6300  
Fax: 864-963-6521

**Corporate Offices**  
Fort Lauderdale, FL  
Tel: 954-766-2800

## North America

**Northeast**  
Wilmington, MA  
Tel: 978-658-1663

**Southeast**  
Lake Mary, FL  
Tel: 407-855-8886

**Central**  
Novi, MI  
Tel: 248-994-1030

Irving, TX  
Tel: 972-915-6041

**West**  
Milpitas, CA  
Tel: 408-433-9950

**Mexico**  
Guadalajara, Jalisco  
Tel: 52-33-3123-2141

## Europe

**Southern Europe**  
Sasso Marconi, Italy  
Tel: 39-051-939111

Skopje, Macedonia  
Tel: 389-2-55-14-623

**Central Europe**  
Landsberg, Germany  
Tel: 49-8191-3350800

Kamen, Germany  
Tel: 49-2307-438110

**Northern Europe**  
Wyboston, United Kingdom  
Tel: 44-1480-273082

Espoo, Finland  
Tel: 358-9-5406-5000

## Asia

**Northeast Asia**  
Hong Kong  
Tel: 852-2305-1168

Shenzhen, China  
Tel: 86-755-2518-1306

Beijing, China  
Tel: 86-10-5877-1075

Shanghai, China  
Tel: 86-21-6447-0707

Seoul, South Korea  
Tel: 82-2-6294-0550

Taipei, Taiwan  
Tel: 886-2-27528585

**Southeast Asia**  
Singapore  
Tel: 65-6701-8033

Penang, Malaysia  
Tel: 60-4-6430200

Bangalore, India  
Tel: 91-806-53-76817

*Note: KEMET reserves the right to modify minor details of internal and external construction at any time in the interest of product improvement. KEMET does not assume any responsibility for infringement that might result from the use of KEMET Capacitors in potential circuit designs. KEMET is a registered trademark of KEMET Electronics Corporation.*

## Disclaimer

This product has been made available through a Private Label Agreement and a Development and Cross-Licensing Agreement between KEMET and NEC TOKIN to expand market and product offerings for both companies and their respective customers. For more information, please visit <http://www.kemet.com/nectokin>.

All product specifications, statements, information and data (collectively, the "Information") in this datasheet are subject to change. The customer is responsible for checking and verifying the extent to which the Information contained in this publication is applicable to an order at the time the order is placed.

All Information given herein is believed to be accurate and reliable, but it is presented without guarantee, warranty, or responsibility of any kind, expressed or implied.

Statements of suitability for certain applications are based on KEMET Electronics Corporation's ("KEMET") knowledge of typical operating conditions for such applications, but are not intended to constitute – and KEMET specifically disclaims – any warranty concerning suitability for a specific customer application or use. The Information is intended for use only by customers who have the requisite experience and capability to determine the correct products for their application. Any technical advice inferred from this Information or otherwise provided by KEMET with reference to the use of KEMET's products is given gratis, and KEMET assumes no obligation or liability for the advice given or results obtained.

Although KEMET designs and manufactures its products to the most stringent quality and safety standards, given the current state of the art, isolated component failures may still occur. Accordingly, customer applications which require a high degree of reliability or safety should employ suitable designs or other safeguards (such as installation of protective circuitry or redundancies) in order to ensure that the failure of an electrical component does not result in a risk of personal injury or property damage.

Although all product-related warnings, cautions and notes must be observed, the customer should not assume that all safety measures are indicated or that other measures may not be required.