



MODEL: SP-2605
PRODUCT: Dynamic Speaker
EDITION: A/2016

Soberton Inc.

THIS SPECIFICATION COVERS OUR PRODUCT OF DYNAMIC SPEAKER UNIT FOR MOBILE PHONE USE

DYNAMIC SPEAKER ELECTORACOUSTIC CHARACTERISTICS

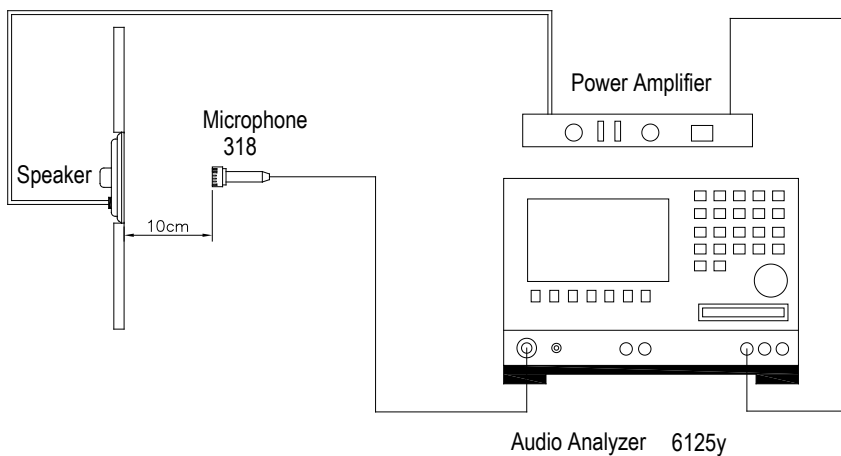
sound pressure level	90±3dB SPL @ 0.8, 1.0, 1.2 and 1.5KHz in average (0dB SPL=20µPa)
measuring condition	0.1W (Sine wave) 10cm measured with baffler shown in Fig.1
frequency response curve	As shown in Fig.2
response frequency	550 ± 20%Hz @ 1V. (Without Baffler)
rated noise power	0.5W
short-term max. power	0.6W must be normal at a white noise (1W, F0-20KHz) for one minute
distortion	Less than 5% @1KHz, 0.1M, 1W frequency range, input level up to 2.0Vrms
ac impedance	8±15%Ω (@ 2 KHz 1V) without baffler
operation test	Must be free audible noise (buzzes and rattles) 300 ~8KHz frequency range, input level up to 2.0Vrms

GENERAL SPECIFICATIONS

operating temperature range	-20°C ~ +60°C
storage temperature range	-30°C ~ +70°C
standard test conditions	
temperature	17°C ~ 25°C
relative humidity	45% ~ 80%(RH)
dimension	∅ 26 x 5.0mm

MEASURING METHOD (SPEAKER MODE) (Figure 1)

Standard test condition of speaker



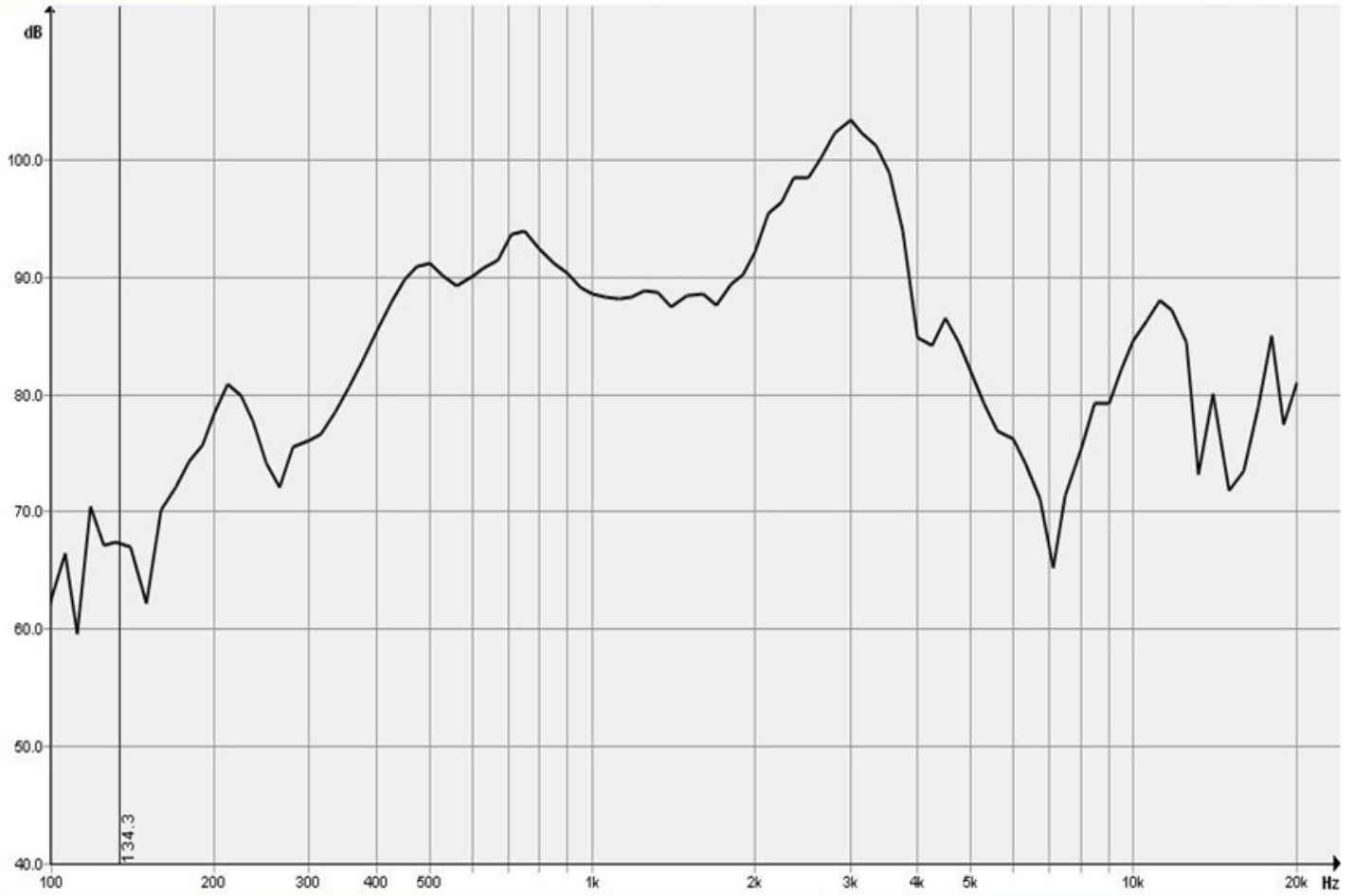
TEST CONDITION	
STANDARD	
temperature	15 ~ 35°C
relative humidity	45% ~ 85%
atmospheric pressure	860mbar to 1060mbar.
STANDARD TEST FIXTURE	
input power	0.1W (0.89V)
zero level	-dB
mode	TSR
potentiometer range	50dB
sweep time	0.5sec



MODEL: SP-2605
PRODUCT: Dynamic Speaker
EDITION: A/2016

Soberton Inc.

TYPICAL FREQUENCY RESPONSE CURVE (Figure 2)





MODEL: SP-2605
PRODUCT: Dynamic Speaker
EDITION: A/2016

Soberton Inc.

RELIABILITY TESTS

The sound pressure as specified shall neither deviate more than $\pm 3\text{dB}$ from the initial value, nor have any significant damage after any of following testing.

HIGH TEMPERATURE TEST

high temperature	$+60\pm 2^\circ\text{C}$
------------------	--------------------------

duration	96 hours
----------	----------

LOW TEMPERATURE TEST

low temperature	$-20\pm 2^\circ\text{C}$
-----------------	--------------------------

duration	96 hours
----------	----------

HEAT SHOCK TEST

high temperature	$+60\pm 2^\circ\text{C}$
------------------	--------------------------

low temperature	$-20\pm 2^\circ\text{C}$
-----------------	--------------------------

duration	1 hour
----------	--------

changeover time	< 30 seconds
-----------------	--------------

cycle	100
-------	-----

HUMIDITY TEST

temperature	$+20\pm 2^\circ\text{C}$
-------------	--------------------------

relative humidity	90~95%
-------------------	--------

duration	96 hours
----------	----------

TEMPERATURE CYCLE TEST

temperature	-20°C $+60^\circ\text{C}$
-------------	---

duration	45 minutes 45 minutes
----------	--------------------------

temperature gradient	1~3°C/min.
----------------------	------------

cycle	25
-------	----

DROP TEST

mounted with dummy set mass	100 g
--------------------------------	-------

height	1.5 m
--------	-------

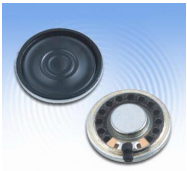
cycle	6 (1 each plain) onto the concrete board
-------	--

LOAD TEST

noise signal	White noise (EIA filter)
--------------	--------------------------

input power	0.5W
-------------	------

duration	96 hours
----------	----------

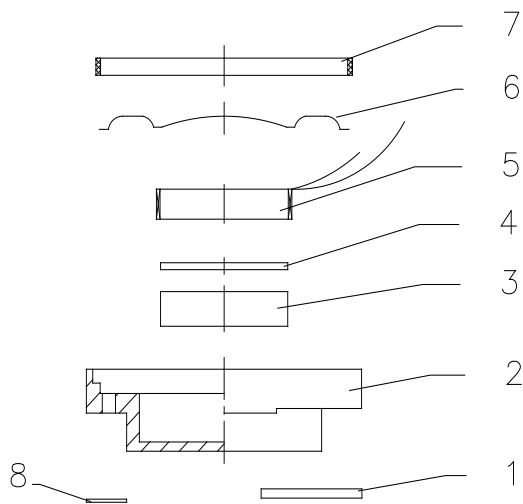
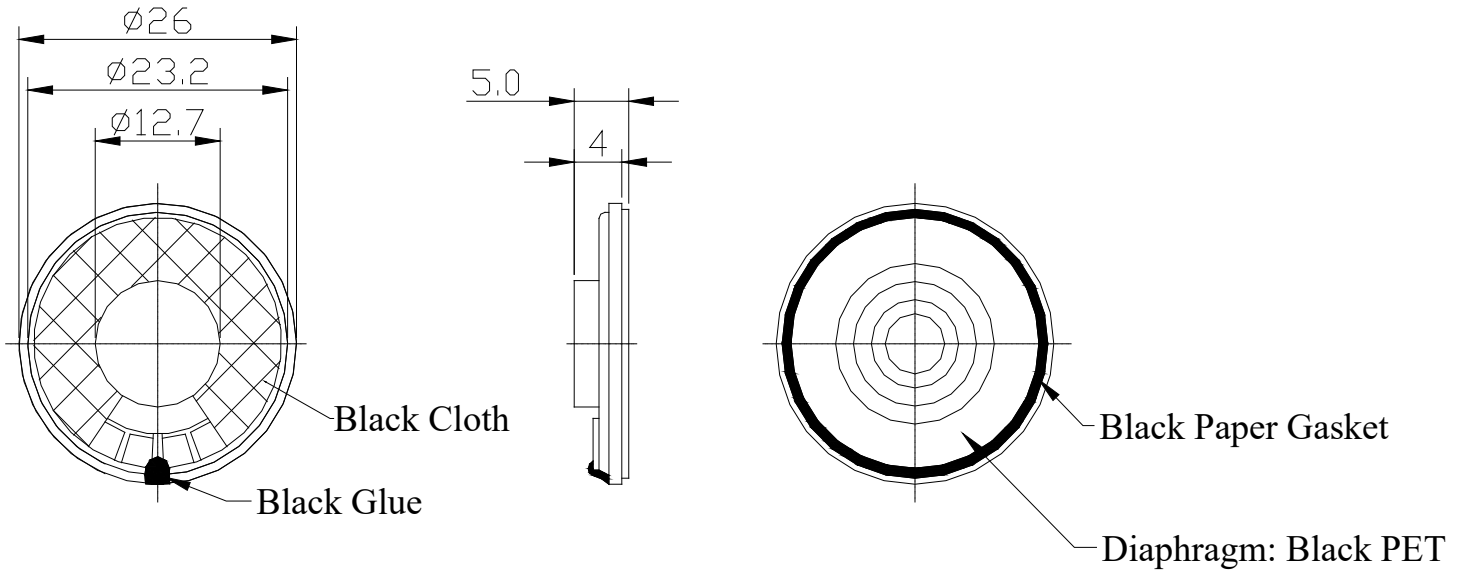


MODEL: SP-2605
PRODUCT: Dynamic Speaker
EDITION: A/2016

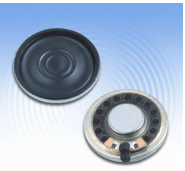
Soberton Inc.

DIMENSIONS

Tolerance: ±0.5 (unit: mm)

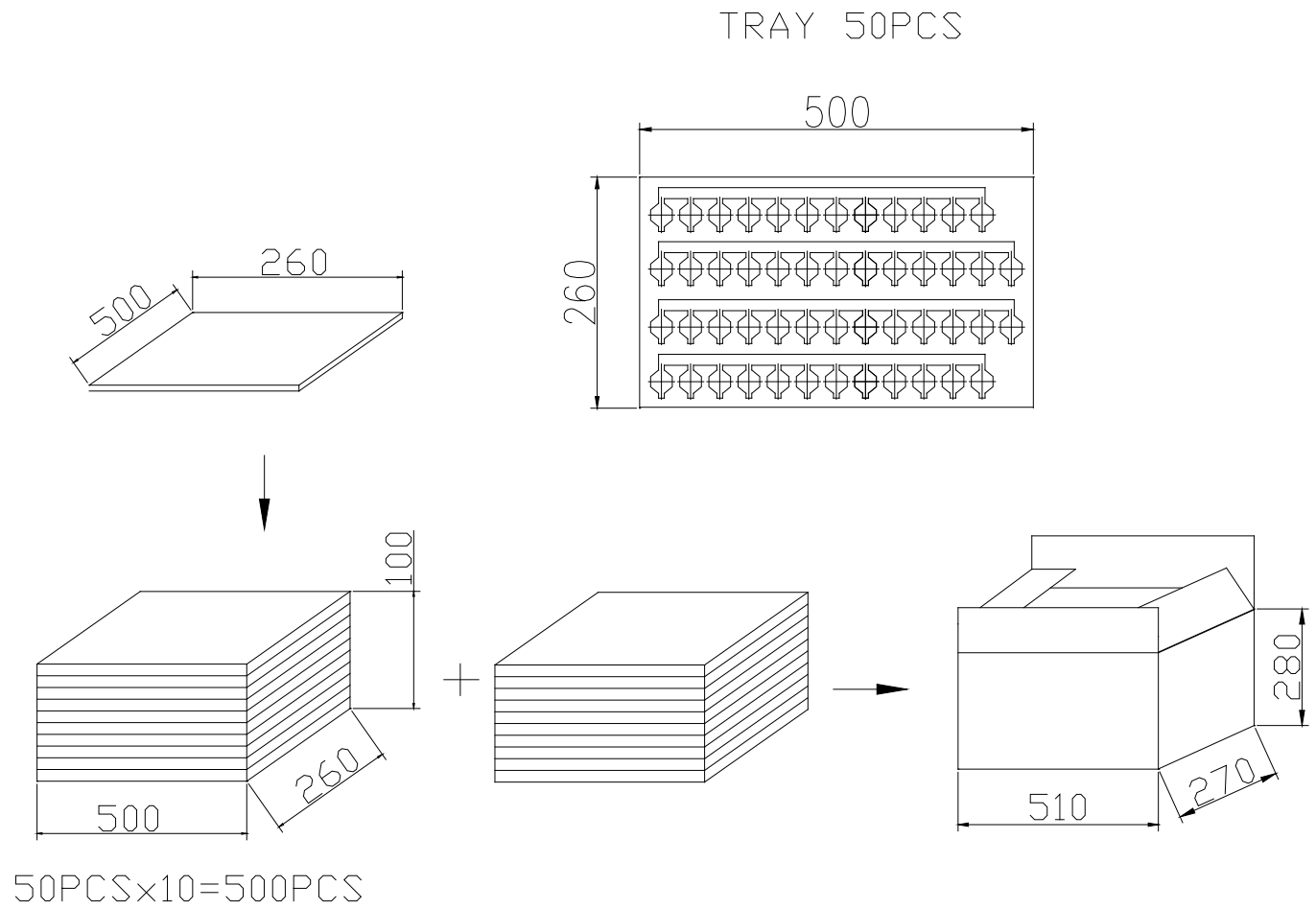


no	item	material	quantity
1	PCB	FR-4	1
2	Frame	SPCC	1
3	Main magnet	Φ9.5×1.5-N38	1
4	Plate	Φ9.7×0.8SPCC	1
5	Voice coil	Copper	1
6	Diaphragm	PET	1
7	Gasket	Black paper	1
8	Silk screen	Black cloth	1



MODEL: SP-2605
PRODUCT: Dynamic Speaker
EDITION: A/2016

PACKING



TRAY	500X260X10mm	1X50PCS=50PCS
CARTON BOX	510X270X280mm	20X50PCS=1000PCS