

PX Type

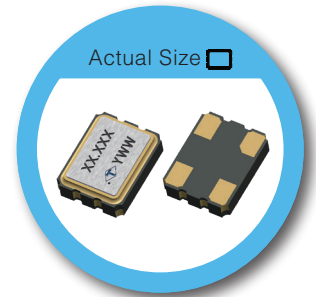
3.2 x 2.5 mm SMD Crystal Oscillator

FEATURE

- Typical 3.2 x 2.5 x 0.95mm ceramic SMD package.
- Tight symmetry (45 to 55%) available.
- Operation voltage: 1.8V, 2.5V, 3.3V
- Tri-state enable/disable

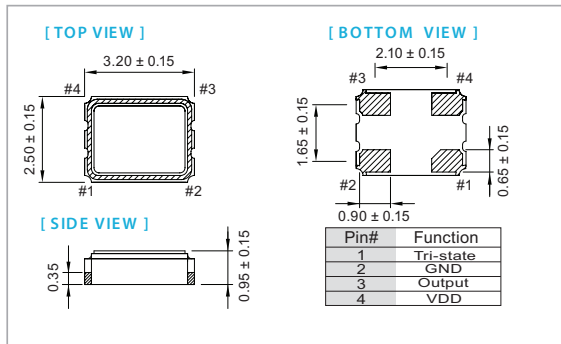
TYPICAL APPLICATION

- Computer Peripherals
- Set-top Box , HDTV
- DSC, PDA

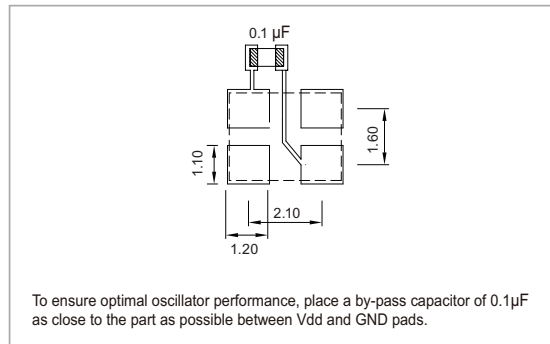


RoHS Compliant

DIMENSION (mm)



SOLDER PAD LAYOUT (mm)



ELECTRICAL SPECIFICATION

Parameter	3.3 V		2.5 V		1.8 V		unit
	Min.	Max.	Min.	Max.	Min.	Max.	
Supply Voltage Variation (V _{DD})	V _{DD} -10%	V _{DD} +10%	V _{DD} -10%	V _{DD} +10%	V _{DD} -10%	V _{DD} +10%	V
Frequency Range	1	200	1	166	1	110	MHz
V _{DD} Sensitivity (±10 %)	-2	2	-2	2	-2	2	ppm
Supply Current	1 MHz ≤ F _o < 30MHz	–	10	–	8	–	6
	30 MHz ≤ F _o < 75MHz	–	12	–	10	–	8
	75 MHz ≤ F _o < 133MHz	–	15	–	12	–	10
	133 MHz ≤ F _o < 166MHz	–	18	–	15	–	–
	166 MHz ≤ F _o ≤ 200MHz	–	20	–	–	–	–
Duty Cycle	45	55	45	55	45	55	%
Output Level (CMOS)	Output High (Logic "1")	2.97	–	2.25	–	1.62	–
	Output Low (Logic "0")	–	0.33	–	0.25	–	0.18
Transition Time: Rise/Fall Time ⁺	1 MHz ≤ F _o < 10 MHz	–	3	–	4	–	5
	10 MHz ≤ F _o	–	2	–	3	–	4
Startup Time	–	8	–	8	–	8	mSec
Tri-State (Input to Pin 1)	Enable (High voltage or floating)	2.31	–	1.75	–	1.26	–
	Disable (Low voltage or GND)	–	0.99	–	0.75	–	0.54
Period Jitter (Pk-Pk)	Specific Frequency"	–	40	–	40	–	40
	Others	–	200	–	200	–	200
Aging (@ 25°C 1st year)	–	±3	–	±3	–	±3	ppm
Storage Temp. Range	-55	125	-55	125	-55	125	°C

Standard frequencies are frequencies which the crystal has been designed and does not imply a stock position.

+ Transition times are measured between 10% and 90% of V_{DD}, with an output load of 15pF.

" Specific frequency including 4.0, 6.0, 8.0, 12.0, 13.0, 16.0, 19.2, 20.0, 24.0, 26.0, 32.0, 38.4 and 40.0MHz

FREQ. STABILITY vs. TEMP. RANGE

Temp. (°C)	ppm		
	±20	±25	±50
-10 ~ +60	○	○	○
-20 ~ +70	△	○	○
-40 ~ +85	×	○	○

* ○ : Available △ : Conditional X : Not available

* Inclusive of calibration @ 25 °C, operating temperature range, input voltage variation, load variation, aging (1st year), shock, and vibration

Note: not all combination of options are available. Other specifications may be available upon request.

Specifications subject to change without notice.