

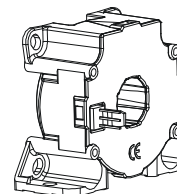
Current Transducer LF 205-S

$$I_{PN} = 200 \text{ A}$$

For the electronic measurement of currents : DC, AC, pulsed..., with a galvanic isolation between the primary circuit (high power) and the secondary circuit (electronic circuit).



16135



Electrical data

I_{PN}	Primary nominal r.m.s. current	200	A					
I_P	Primary current, measuring range	0 .. ± 420	A					
R_M	Measuring resistance @	$T_A = 70^\circ\text{C}$		$T_A = 85^\circ\text{C}$				
		$R_{M \min}$	$R_{M \max}$	$R_{M \min}$	$R_{M \max}$			
		with $\pm 12 \text{ V}$	@ $\pm 200 \text{ A}_{\max}$	0	71	0	69	Ω
			@ $\pm 420 \text{ A}_{\max}$	0	14	0	12	Ω
		with $\pm 15 \text{ V}$	@ $\pm 200 \text{ A}_{\max}$	0	100	23	98	Ω
			@ $\pm 420 \text{ A}_{\max}$	0	28	23	26	Ω
I_{SN}	Secondary nominal r.m.s. current	100	mA					
K_N	Conversion ratio	1 : 2000						
V_C	Supply voltage ($\pm 5 \%$)	$\pm 12 \dots 15$	V					
I_C	Current consumption @ $\pm 15 \text{ V}$	$17 + I_S$	mA					

Accuracy - Dynamic performance data

X_G	Overall accuracy @ $I_{PN}, T_A = 25^\circ\text{C}$	± 0.5	%
e_L	Linearity error	< 0.1	%
I_O	Offset current @ $I_P = 0, T_A = 25^\circ\text{C}$	Typ	Max
			± 0.2 mA
I_{OM}	Residual current ¹⁾ @ $I_P = 0$, after an overload of $3 \times I_{PN}$		± 0.1 mA
I_{OT}	Thermal drift of I_O - $40^\circ\text{C} \dots +85^\circ\text{C}$	± 0.12	± 0.4 mA
t_{ra}	Reaction time @ 10 % of I_{PN}	< 500	ns
t_r	Response time ²⁾ @ 90 % of I_{PN}	< 1	μs
di/dt	di/dt accurately followed	> 100	A/ μs
f	Frequency bandwidth (-3 dB)	DC .. 100	kHz

General data

T_A	Ambient operating temperature	-40 .. +85	$^\circ\text{C}$
T_S	Ambient storage temperature	-40 .. +90	$^\circ\text{C}$
R_S	Secondary coil resistance @ $T_A = 70^\circ\text{C}$	33	Ω
		@ $T_A = 85^\circ\text{C}$	35
m	Mass	78	g
	Standards	EN 50178 : 1997	

Features

- Closed loop (compensated) current transducer using the Hall effect
- Insulated plastic case recognized according to UL 94-V0.

Advantages

- Excellent accuracy
- Very good linearity
- Low temperature drift
- Optimized response time
- Wide frequency bandwidth
- No insertion losses
- High immunity to external interference
- Current overload capability.

Applications

- AC variable speed drives and servo motor drives
- Static converters for DC motor drives
- Battery supplied applications
- Uninterruptible Power Supplies (UPS)
- Switched Mode Power Supplies (SMPS)
- Power supplies for welding applications.

Application domain

- Industry.

Notes : ¹⁾ The result of the coercive field of the magnetic circuit

²⁾ With a di/dt of 100 A/ μs .

Current Transducer LF 205-S

Isolation characteristics

V_d	R.m.s. voltage for AC isolation test, 50/60 Hz, 1 mn	3.5	kV
\hat{V}_w	Impulse withstand voltage 1.2/50 μ s	8.8	kV
V_e	R.m.s. voltage for partial discharge extinction @ 10pC	> 2	kV
		Min	
dCp	Creepage distance	11	mm
dCI	Clearance distance	10.2	mm
CTI	Comparative Tracking Index (Group III a)	175	

Application examples

According to EN 50178 and IEC 61010-1 standards and following conditions :

- Over voltage category OV 2
- Pollution degree PD3
- Non-uniform field

	EN 50178	IEC 61010-1
dCp, dCI, \hat{V}_w	Rated isolation voltage	Nominal voltage
Single isolation	500 V	500 V
Reinforced isolation	250 V	250 V

Safety



This transducer must be used in electric/electronic equipment with respect to applicable standards and safety requirements in accordance with the following manufacturer's operating instructions.



Caution, risk of electrical shock

When operating the transducer, certain parts of the module can carry hazardous voltage (eg. primary busbar, power supply).

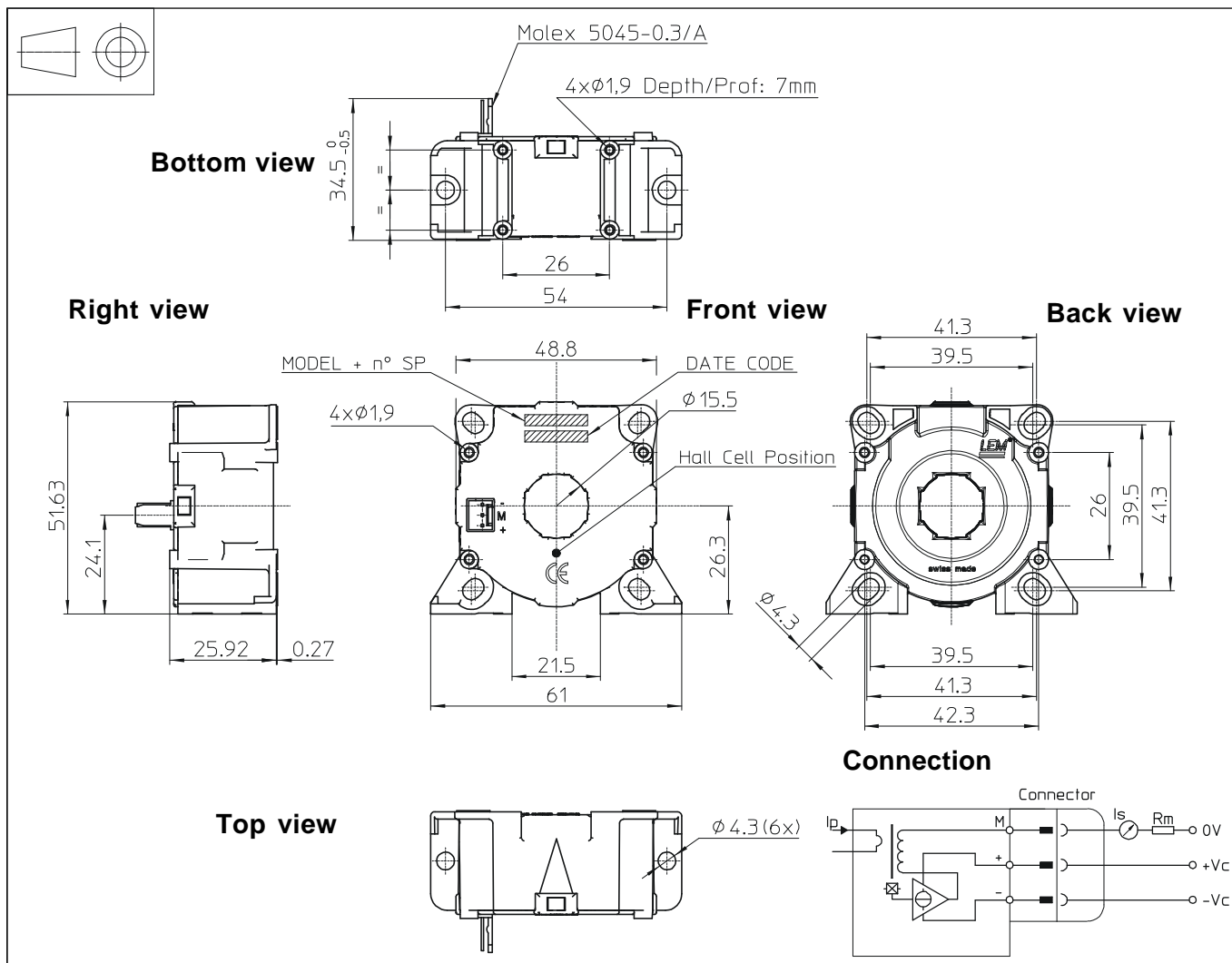
Ignoring this warning can lead to injury and/or cause serious damage.

This transducer is a built-in device, whose conducting parts must be inaccessible after installation.

A protective housing or additional shield could be used.

Main supply must be able to be disconnected.

Dimensions LF 205-S (in mm. 1 mm = 0.0394 inch)



Mechanical characteristics

- | | |
|---|---|
| • General tolerance | ± 0.2 mm |
| • Transducer fastening
Vertical position | 2 holes $\varnothing 4.3$ mm
2 M4 steel screws |
| Fastening torque, max
or | 3.2 Nm or 2.37 Lb. - Ft.
4 holes $\varnothing 1.9$ mm depth 7 mm
4 x PT KA25 screws long 6 mm |
| • Transducer fastening
Horizontal position | 4 holes $\varnothing 4.3$ mm
4 M4 steel screws |
| Fastening torque, max
or | 3.2 Nm or 2.37 Lb. - Ft.
4 holes $\varnothing 1.9$ mm
4 x PT KA25 screws |
| Fastening torque, max | 0.7 Nm or 0.52 Lb. - Ft. |
| • Primary through-hole | $\varnothing 15.5$ mm |
| • Connection of secondary | Molex 5045-0.3/A |

Remarks

- I_s is positive when I_p flows in the direction of the arrow.
- Temperature of the primary conductor should not exceed 100°C.
- Dynamic performances (di/dt and response time) are best with a single bar completely filling the primary hole.
- This is a standard model. For different versions (supply voltages, turns ratios, unidirectional measurements...), please contact us.