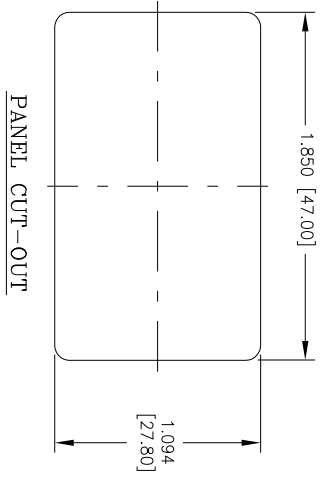
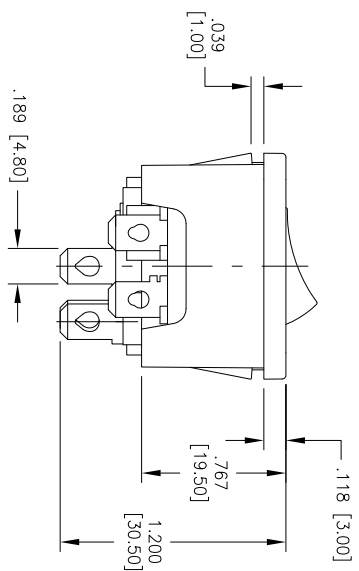
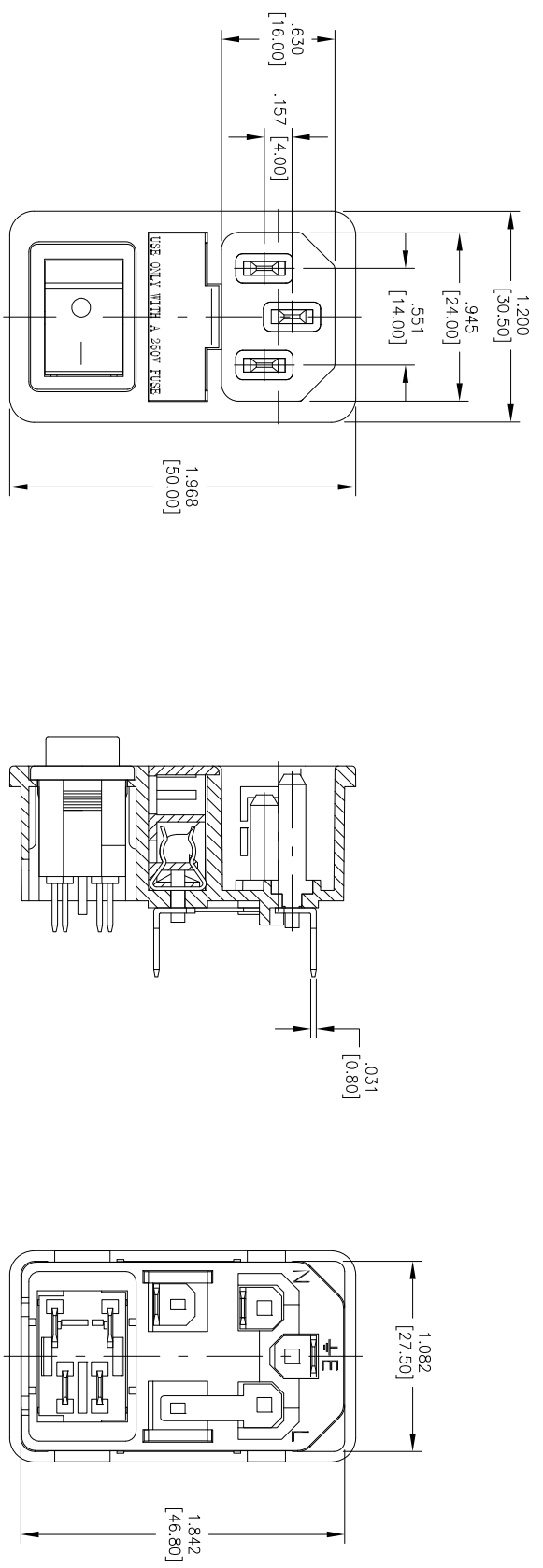


Rev	AWO #	Description	Date	Appr
-		RELEASED	7/31/09	

APPROVED: \_\_\_\_\_ TITLE: \_\_\_\_\_  
 DATE: \_\_\_\_\_



PANEL CUT-OUT

**SPECIFICATIONS:**

- Material:** Insulator: Thermoplastic, rated UL 94V-0
- Insulator color: Black
- Contacts: Brass
- Plating:** Tin over Copper underplate
- Electrical:** Operating voltage: 250 VAC max
- Current rating: 15 Amps max
- Insulation resistance: 100 Mohms min @ 500 VDC
- Dielectric withstanding voltage: 2000 VAC for 1 minute
- Temperature Rating: Operating temperature: -65°C to +125°C
- Environmental:** Lead free, RoHS compliant.

UNLESS OTHERWISE SPECIFIED  
 ALL DIMENSIONS ARE MM [INCHES]  
 TOLERANCES: EXCEPT AS NOTED  
 INCHES: 10 HOLES:  
 X ± .10 ØX ± .10  
 .XX ± .020 ØXX ± .015  
 .XXX ± .015 ØXXX ± .010

**ADAM TECH**  
 909 Rahway Avenue, Union, NJ 07083  
 Phone: 908-687-5000 Fax: 908-687-5710

**IEC CONNECTOR, ISOLATED FUSE**  
**1.0mm SNAP IN, .187" [4.8] QC TERMINAL**

APPROVALS	DATE
SS	7/31/09

SIZE	PART NO.	SCALE:	SHEET	OF
X	IEC-GS-1-100	NTS	1	1

