

# Product data sheet

Specifications



## cam reversing star-delta switch - 3-pole - 45° - 50 A - screw mounting

K50K006YP

**Product availability : Non-Stock - Not normally stocked in distribution facility**

**Price\* : 674.00 USD**

### Main

Range of Product	Harmony K
Product or Component Type	Complete cam switch
Component name	K50
[Ith] conventional free air thermal current	50 A
Mounting Location	Front
Fixing Mode	4 holes
Cam switch head type	With front plate 64 x 64 mm
Type of operator	Black handle
Rotary handle padlocking	Without
Presentation of legend	With metallic, delta - Y - 0 - Y - delta black
Cam switch function	Reversing star-delta switch
Return	Without
Off position	With Off position
Poles description	3P
Switching positions	Right: 0° - 45° - 90° Left: 0° - 315° - 270°
IP degree of protection	IP40 IEC 529 IP40 NF C 20-010

### Complementary

Switching angle	45 °
[Ui] rated insulation voltage	690 V 3)EN/IEC 60947-1
Short-circuit current	5000 A
Short-circuit protection	63 A cartridge fuse gG
[Uimp] rated impulse withstand voltage	6 kV EN/IEC 60947-1
Contact operation	Slow-break
Positive opening	With
Electrical connection	Captive screw clamp terminals flexible 2 x 6 mm <sup>2</sup> Captive screw clamp terminals solid 2 x 10 mm <sup>2</sup>

\* Price is "List Price" and may be subject to a trade discount – check with your local distributor or retailer for actual price.

<b>Tightening torque</b>	17.70 lbf.in (2 N.m)
<b>Switching capacity in mA</b>	15000 mA DC 120 V 2 inductive 50 ms) 15000 mA DC 180 V 3 inductive 50 ms) 15000 mA DC 60 V 1 inductive 50 ms) 20000 mA DC 140 V 3 inductive 50 ms) 20000 mA DC 48 V 1 inductive 50 ms) 20000 mA DC 95 V 2 inductive 50 ms) 30000 mA DC 30 V 1 inductive 50 ms) 30000 mA DC 60 V 2 inductive 50 ms) 30000 mA DC 90 V 3 inductive 50 ms) 3500 mA DC 110 V 1 inductive 50 ms) 3500 mA DC 220 V 2 inductive 50 ms) 3500 mA DC 330 V 3 inductive 50 ms) 37000 mA DC 120 V 2 resistive 1 ms) 37000 mA DC 180 V 3 resistive 1 ms) 37000 mA DC 60 V 1 resistive 1 ms) 40000 mA DC 140 V 3 resistive 1 ms) 40000 mA DC 24 V 1 inductive 50 ms) 40000 mA DC 48 V 1 resistive 1 ms) 40000 mA DC 48 V 2 inductive 50 ms) 40000 mA DC 70 V 3 inductive 50 ms) 40000 mA DC 95 V 2 resistive 1 ms) 50000 mA DC 24 V 1 resistive 1 ms) 50000 mA DC 48 V 2 resistive 1 ms) 50000 mA DC 70 V 3 resistive 1 ms)
<b>Mechanical durability</b>	300000 cycles
<b>CAD overall width</b>	2.52 in (64 mm)
<b>CAD overall height</b>	2.52 in (64 mm)
<b>CAD overall depth</b>	6.81 in (173 mm)
<b>Net Weight</b>	1.52 lb(US) (0.69 kg)

## Environment

<b>Standards</b>	EN/IEC 60947-3
<b>Product certifications</b>	CULus 120 V 3 hp 1 phase CULus 480 V 25 hp 3 phase CULus 240 V 7.5 hp 1 phase CULus 240 V 7.5 hp 3 phase
<b>Protective treatment</b>	TC
<b>Ambient air temperature for operation</b>	-13...131 °F (-25...55 °C)
<b>Ambient Air Temperature for Storage</b>	-40...158 °F (-40...70 °C)
<b>Overvoltage category</b>	Class II IEC 60536 Class II NF C 20-030

## Ordering and shipping details

<b>Category</b>	21446 - 9003 K CAM SWITCHES
<b>Discount Schedule</b>	CS1
<b>GTIN</b>	3389110084801
<b>Nbr. of units in pkg.</b>	1
<b>Package weight(Lbs)</b>	18.98 oz (538 g)
<b>Returnability</b>	No
<b>Country of origin</b>	AT

## Packing Units

<b>Unit Type of Package 1</b>	PCE
<b>Package 1 Height</b>	2.83 in (7.2 cm)
<b>Package 1 width</b>	2.83 in (7.2 cm)
<b>Package 1 Length</b>	6.10 in (15.5 cm)

<b>Unit Type of Package 2</b>	S03
<b>Number of Units in Package 2</b>	20
<b>Package 2 Weight</b>	25.29 lb(US) (11.473 kg)
<b>Package 2 Height</b>	11.81 in (30 cm)
<b>Package 2 width</b>	11.81 in (30 cm)
<b>Package 2 Length</b>	15.75 in (40 cm)

## Offer Sustainability

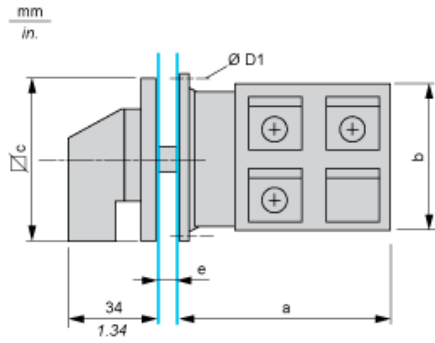
<b>California proposition 65</b>	WARNING: This product can expose you to chemicals including: Nickel compounds, which is known to the State of California to cause cancer, and Di-isodecyl phthalate (DIDP), which is known to the State of California to cause birth defects or other reproductive harm. For more information go to <a href="http://www.P65Warnings.ca.gov">www.P65Warnings.ca.gov</a>
<b>REACH Regulation</b>	<a href="#">REACH Declaration</a>
<b>REACH free of SVHC</b>	Yes
<b>EU RoHS Directive</b>	Pro-active compliance (Product out of EU RoHS legal scope) <a href="#">EU RoHS Declaration</a>
<b>Toxic heavy metal free</b>	Yes
<b>Mercury free</b>	Yes
<b>RoHS exemption information</b>	<a href="#">Yes</a>
<b>China RoHS Regulation</b>	<a href="#">China RoHS declaration</a>
<b>WEEE</b>	The product must be disposed on European Union markets following specific waste collection and never end up in rubbish bins.

## Contractual warranty

<b>Warranty</b>	18 months
-----------------	-----------

**Dimensions**

**Front Mounting**



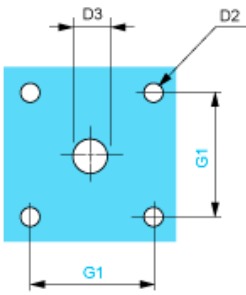
**e** support panel thickness 0.5 to 5.5 mm / 0.02 to 0.22 in in.

a		b		c		D1	
mm	in.	mm	in.	mm	in.	mm	in.
133.3	5.25	60	2.36	64	2.52	4.1	0.16

**Panel Cut-Out**

---

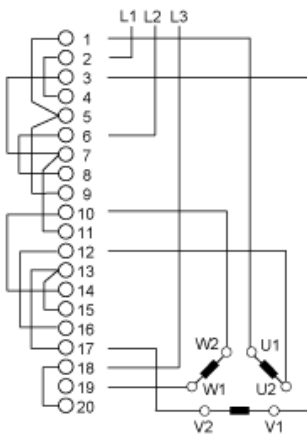
**Front Mounting**



D2		D3		G1	
mm	in.	mm	in.	mm	in.
4.5	0.18	10	0.39	48	1.89

**Link Positions (Factory Mounted)**

---



**Marking**

---



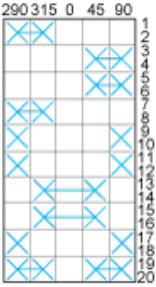
**Angular Position of Switch**

---



Switching Program

---



**Convention Used for Switching Program Representation**

---

Contact closed

Contact closed in 2 positions and maintained between the 2 positions

Sealed assembly for auto-maintain control

Overlapping contacts

Spring return position: for a switching angle of 90°, spring return is over 30° after the last position (for a maximum of 3 simultaneous contacts).

Example:

