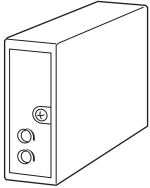


## Dual Output Super-mini Signal Conditioners Pico-M Series

### OUTPUT ISOLATOR

#### Functions & Features

- Providing an isolated DC output at the Installation Base terminals
- Space-saving, easy-to-maintain, multi-channel installation base



### MODEL: M8YS-[1][2]-R[3]

#### ORDERING INFORMATION

- Code number: M8YS-[1][2]-R[3]
- Specify a code from below for each of [1] through [3].  
(e.g. M8YS-6A-R/Q)
- Specify the specification for option code /Q  
(e.g. /C01 /V01)

#### [1] INPUT

##### Current

A: 4 - 20 mA DC (Input resistance 250 Ω)

##### Voltage

4: 0 - 10 V DC (Input resistance 1 MΩ min.)

5: 0 - 5 V DC (Input resistance 1 MΩ min.)

6: 1 - 5 V DC (Input resistance 1 MΩ min.)

#### [2] OUTPUT

##### Current

A: 4 - 20 mA DC (Load resistance 550 Ω max.)

##### Voltage

4: 0 - 10 V DC (Load resistance 5000 Ω min.)

5: 0 - 5 V DC (Load resistance 2500 Ω min.)

6: 1 - 5 V DC (Load resistance 2500 Ω min.)

#### POWER INPUT

##### DC Power

R: 24 V DC

(Operational voltage range 24 V ±10 %, ripple 10 %p-p max.)

#### [3] OPTIONS

blank: none

/Q: Options other than the above (specify the specification)

#### SPECIFICATIONS OF OPTION: Q (multiple selections)

##### COATING (For the detail, refer to M-System's web site.)

/C01: Silicone coating

/C02: Polyurethane coating

/C03: Rubber coating

##### ADJUSTMENT

/V01: Multi-turn fine adjustment

#### RELATED PRODUCTS

- Installation Base or Single Mount Base Socket (model: M8BSx)

This unit must be mounted on dedicated base or socket.

#### GENERAL SPECIFICATIONS

Construction: Plug-in

Mounting screw: M3 screw (torque 0.3 N·m)

Housing material: Flame-resistant resin (black)

Power supply: Via the Installation Base terminals  
(model: M8BSx)

Isolation: Input to output to power

Zero adjustment: -2 to +2 % (front)

Span adjustment: 98 to 102 % (front)

#### INPUT SPECIFICATIONS

■ DC Current: Input resistor incorporated

■ DC Voltage

Input resistance: 1 MΩ min. (10 kΩ min. in power failure)

#### INSTALLATION

Current consumption: Approx. 30 mA (50 mA for current output)

Operating temperature: 0 to 55°C (32 to 131°F)

Operating humidity: 30 to 95 %RH (non-condensing)

Mounting: Installation Base (model: M8BSx)

Weight: 70 g (2.5 oz)

#### PERFORMANCE in percentage of span

Accuracy: ±0.1 %

Temp. coefficient: ±0.015 %/°C (±0.008 %/°F)

Response time: ≤ 15 msec. (0 - 90 %)

Line voltage effect: ±0.1 % over voltage range

Insulation resistance: ≥ 100 MΩ with 500 V DC

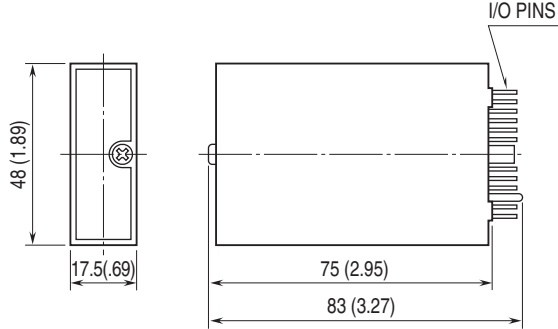
Dielectric strength:

1500 V AC @1 minute(input or power to output to ground)

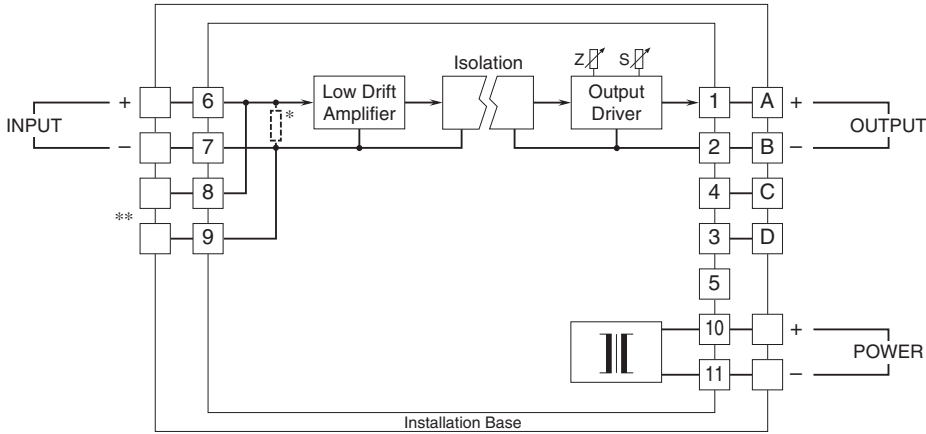
500 V AC @1 minute(input to power)

SWC test: ANSI/IEEE-C37.90.1-1989


**EXTERNAL DIMENSIONS unit: mm (inch)**



**SCHEMATIC CIRCUITRY & CONNECTION DIAGRAM**



\* Input shunt resistor incorporated for current input.  
 \*\*Use either of the 6 – 7 or 8 – 9 terminals for input.

 Specifications are subject to change without notice.