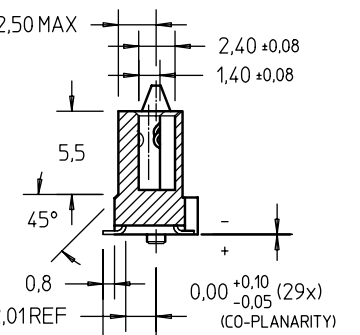
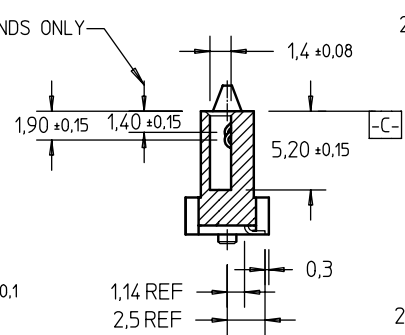
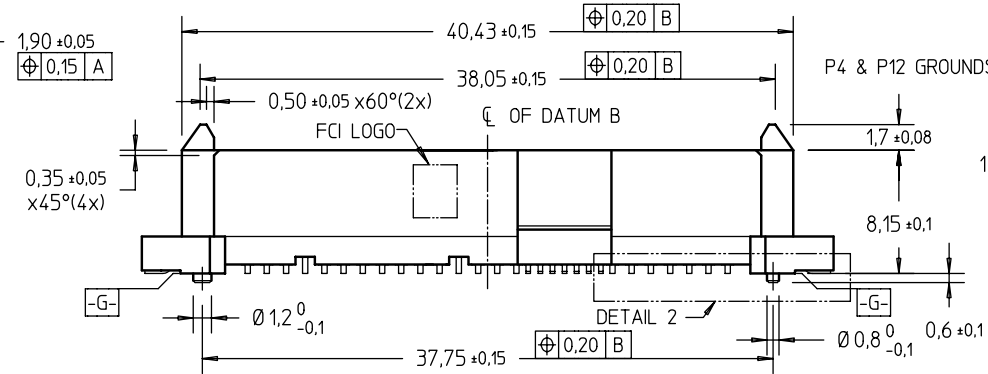
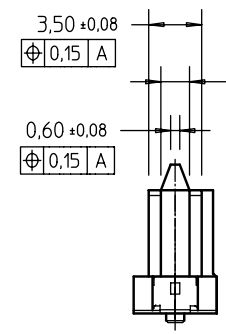
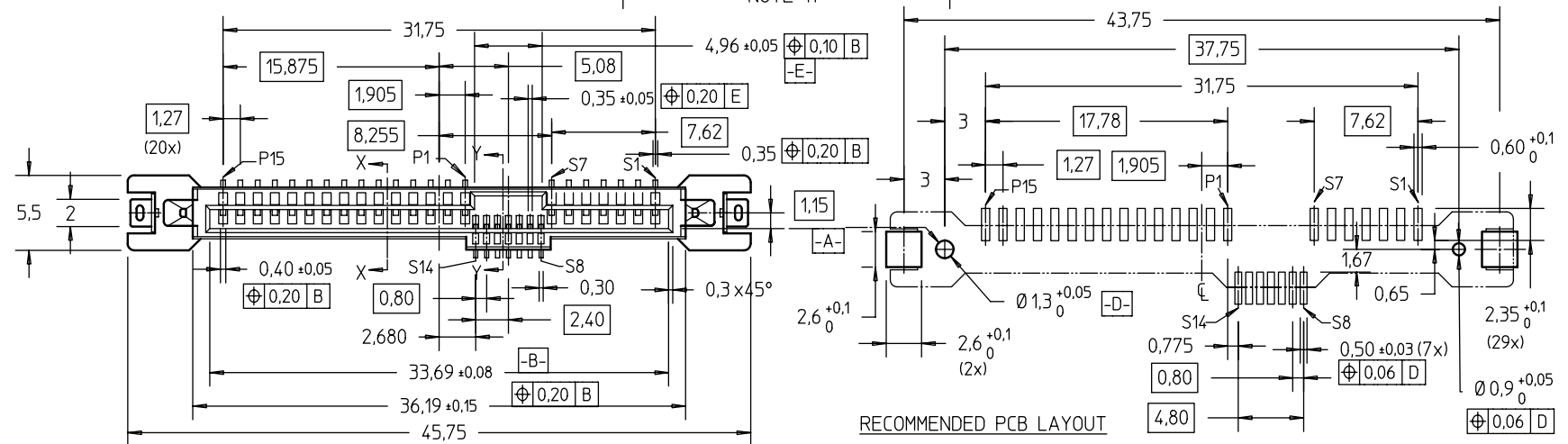


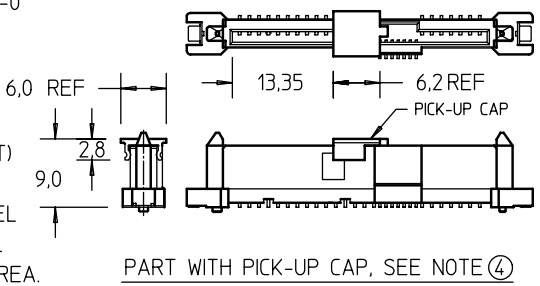
FCI CONFIDENTIAL
 This document is the property of and embodies CONFIDENTIAL and PROPRIETARY information of FCI. No part of the information shown on this document may be used in any way or disclosed to others without the written consent of FCI.
 Copyright FCI

PRODUCT NO	METAL CLIP	PLATING	PICK-UP CAP	PACKAGING	REMARKS	PRODUCT NO	PLATING
10031567-001LF	2 PCS	NOTE 2	NO	TRAY	⑧	10031567-401LF	NOTE 11
10031567-001CLF			YES		④.⑧	10031567-401CLF	
10031567-001C-TRLF			YES	TAPE & REEL	④.⑥.⑧	10031567-401C-TRLF	



NOTES:

- 1 MATERIAL:
 - 1) HOUSING : HIGH TEMP TERMOPLASTIC, UL 94V-0
 - COLOR : BLACK
 - 2) TERMINAL : COPPER ALLOY
 - 3) HOLD DOWN : COPPER ALLOY
- ② FINISH :
 - 1) TERMINAL : 30u" Au PLATING (CONTACT POINT) OVER 50u" NICKEL
 - 2) SOLDER TAIL : 100u" min Sn OVER 50u" NICKEL
 - 3) HOLD DOWN : 100u" min Sn OVER 50u" NICKEL
- 3 PER SFF REV 1.1, EXCEPT 0.8mm PITCH BUMP AREA.
- ④ PART WITH PICK-UP CAP, P/N XXXXXXXX-XXXC LF



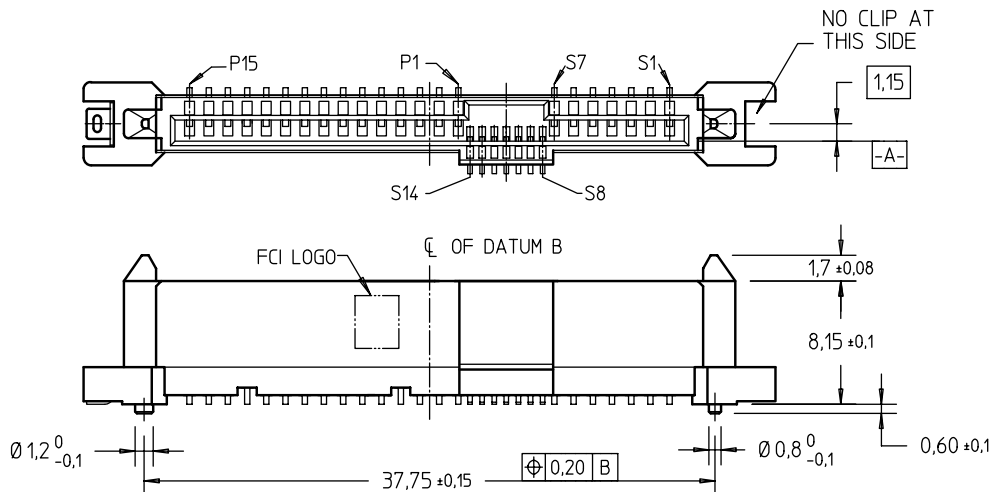
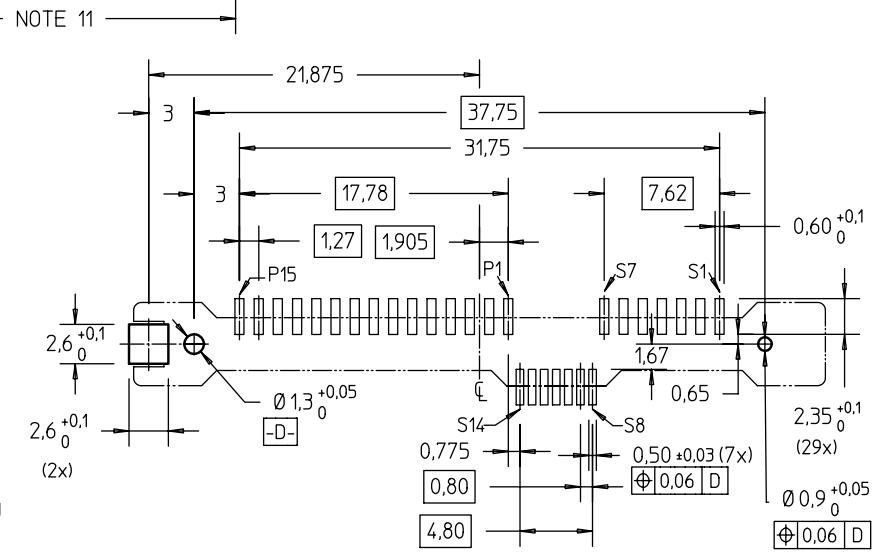
mat'l code		surface ISO 1302		tolerance ISO 406 ISO 1101		projection		product family	
ISO 1302		tolerance unless otherwise specified		mm		SAS		SAS	
ltr	ecn no	dr	date	angles	linear	mm		title	
F	S05-0292	GLL	2005-10-12	± 2°	= ± 0.20	scale 2:1		SAS RECEPTACLE VERTICAL SMT TYPE ASSY	
G	S06-0281	GLL	2006-08-28					dwg no	
H	S07-0045	GLL	2007-02-09					sheet 1 of 3	
J	S09-0052	GLL	2009-02-19	dr	GL L00	2004-02-27	size		
K	S09-0283	GLL	2009-09-09	enrg	GL L00	2004-02-27	A4		
L	S09-0403	GLL	2009-12-10	chr	GL L00	2009-12-10	10031567		
appd		JOEY NG		2009-12-10		type		CUSTOMER Drawing	
sheet index	revision sheet	L 1	L 2	L 3					

FCI CONFIDENTIAL



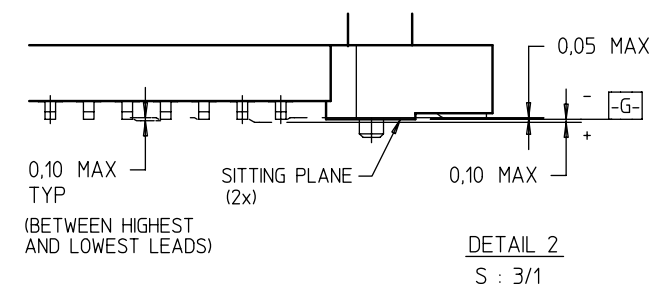
This document is the property of and embodies CONFIDENTIAL and PROPRIETARY information of FCI. No part of the information shown on this document may be used in any way or disclosed to others without the written consent of FCI. Copyright FCI.

PRODUCT NO	METAL CLIP	PLATING	PICK-UP CAP	PACKAGING	REMARKS	PRODUCT NO	PLATING
10031567-002LF	1 PC	NOTE 2	NO	TRAY	⑧	10031567-402LF	NOTE 11
10031567-002CLF			YES		④.⑧	10031567-402CLF	
10031567-002C-TRLF			YES	TAPE & REEL	④.⑥.⑧	10031567-402C-TRLF	



NOTES:
ALL OTHER DIMENSIONS, REFER TO SHEET 1.

- NOTES:
- ⑤ THE STD PACKAGING IS IN TRAY UNLESS OTHERWISE SPECIFIED.
 - ⑥ PART NUMBER WITH SUFFIX "-TR" MEANS FOR TAPE & REEL PACKAGING (E.G. P/N XXXXXXXX-XXXC-TRLF).
 - 7 THE HOUSING WILL WITHSTAND EXPOSURE TO 260°C PEAK TEMPERATURE FOR 10 SECONDS IN A CONVECTION, INFRA-RED OR VAPOR PHASE REFLOW OVEN.
 - ⑧ THIS PRODUCT MEETS EUROPEAN UNION DIRECTIVES AND OTHER COUNTRY REGULATIONS AS DESCRIBED IN GS-22-008.
 - ⑨ PART NUMBERS ENDING IN "LF" MEANS FOR NOTE 8 LEAD FREE IDENTIFICATION
 - (i) ~~XXXXXXXX-XXXLF IS EQUIVALENT TO PREVIOUS P/N XXXXXXXX-XXX~~
 - (ii) ~~XXXXXXXX-XXXCLF IS EQUIVALENT TO P/N XXXXXXXX-XXXC~~
 - (iii) ~~XXXXXXXX-XXXC-TRLF IS EQUIVALENT TO P/N XXXXXXXX-XXXC-TR~~
 - ⑩ A Δ SYMBOL WILL BE NEXT TO ANY DIMENSION, VIEW, OR NOTE WHICH HAS BEEN MODIFIED WITH THE CURRENT DRAWING REVISION.
 - ⑪ FINISH :
 - 1) TERMINAL : 15u" GXT PLATING (CONTACT POINT) OVER 50u" NICKEL
 - 2) SOLDER TAIL : 100u" min Sn OVER 50u" NICKEL
 - 3) HOLD DOWN : 100u" min Sn OVER 50u" NICKEL



mat'l. code		surface	tolerance	projection	product family
		ISO 1302	ISO 406 ISO 1101	ϕ \rightarrow	SAS
ltr	ecn no	dr	date	title	
L				SAS RECEPTACLE VERTICAL SMT TYPE ASSY	
		angles	linear	mm	scale 2 : 1
		$\pm 2^\circ$			
		dr	GL L00	2004-02-27	dwg no
		enr	GL L00	2004-02-27	sheet 2 of 3
		chr	GL L00	2009-12-10	size
		appd	JOEY NG	2009-12-10	A4
sheet index	revision sheet			type	CUSTOMER Drawing
	1				

This document is the property of and embodies CONFIDENTIAL and PROPRIETARY information of FCI. No part of the information shown on this document may be used in any way or disclosed to others without the written consent of FCI. Copyright FCI.



FCIconnect.com

FCI CONFIDENTIAL

PRODUCT NO	METAL CLIP	PLATING	PICK-UP CAP	PACKAGING	REMARKS
10031567-404C-TRLF	1 PC	NOTE 11	YES	CUSTOM-MADE TAPE & REEL	④.⑥.⑧



mat'l. code		surface ISO 1302	tolerance ISO 406 ISO 1101	projection 	product family SAS
ltr	ecn no	dr	date	title SAS RECEPTACLE VERTICAL SMT TYPE ASSY	
L				mm ← →	scale 2 : 1
			angles linear ± 2°	= +0,20	
			dr	GL L00	2009-12-10
			enr	GL L00	2009-12-10
			chr	GL L00	2009-12-10
			appd	JOEY NG	2009-12-10
sheet index	revision sheet	1			
				dwg no 10031567 sheet 3 of 3 size A4 type CUSTOMER Drawing	