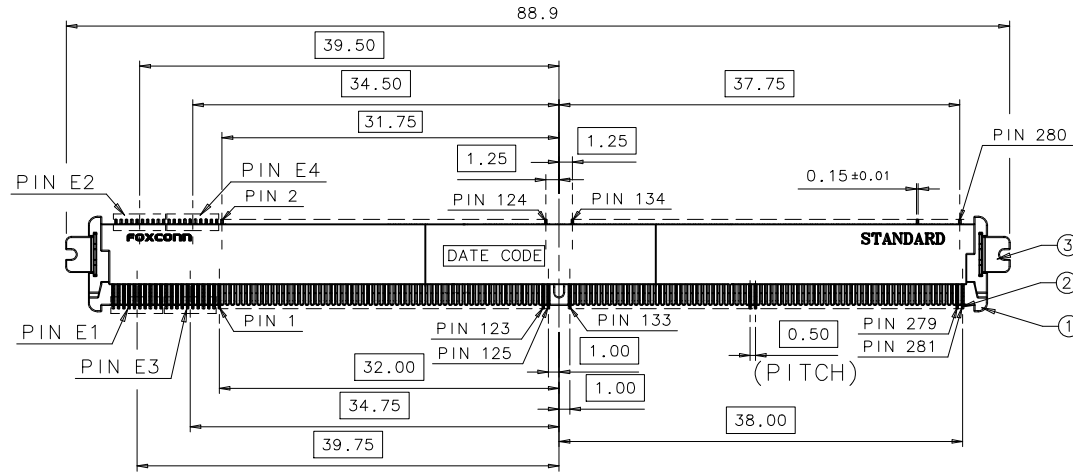


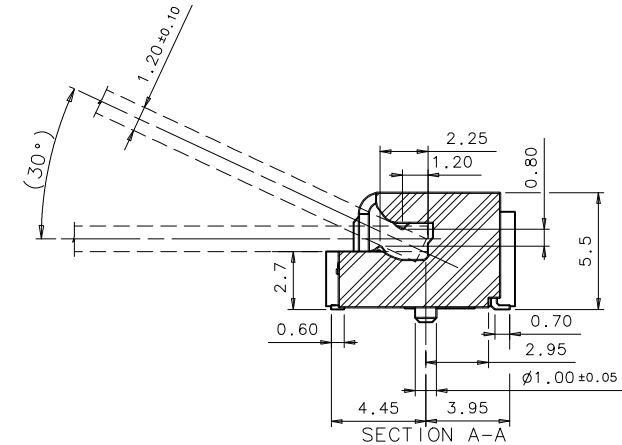
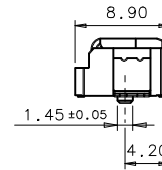
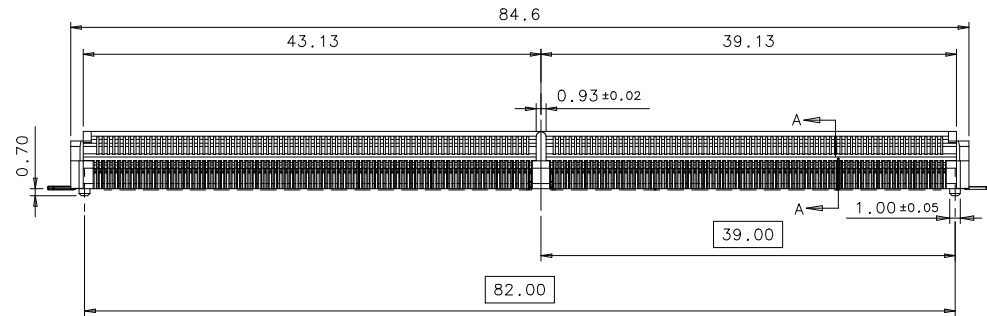
IDEAS GENERATED DRAWING, DON'T CHANGE BY HAND.

REV.	ECN. NO.	APPD.
A	BC-09-7091030	Herry Yang
B	BC-14-0007648	C.S Li
C	BC-15-0049952	Bruce Wu
D	BC-16-0001027	Bruce Wu
E	BC-16-0044859	Bruce Wu



NOTES:

- ELECTRICAL CHARACTERISTICS :
 - VOLTAGE RATING 50V DC PER CONTACT.
 - INSULATION RESISTANCE : 250MEGAOHMS. MIN. AT 500V DC.
- MECHANICAL CHARACTERISTICS :
 - DURABILITY : 30 MATING CYCLES.
 - OPERATION TEMPERATURE : -40°C TO + 85°C
- THE NVIDIA'S MOBILE PCI EXPRESS MODULE ELECTROMECHANICAL SPECIFICATION CONTROLS MXM GRAPHICS MODULE PCB AND CONNECTOR MOTHERBOARD FOOTPRINT DIMENSIONS. IT IS SHOWN FOR REFERENCE ONLY, AND IS SUBJECT TO CHANGE.
- PLEASE CONTACT FOXCONN SALES REPRESENTATIVE TO VERIFY PRODUCT DETAILS & AVAILABILITY.



PART NO. DESCRIPTION: A S 0 B 8 2 * - S 5 5 * - 7 H

MEMORY MODULE SOCKET

HORIZONTAL TYPE

SINGLE ROW

NO. OF POS.

B8= 314 POS.

SMT

CONTACT AREA PLATING

1=GOLD FLASH

Y=5u" GOLD PLATING

6=10u" GOLD PLATING

7=15u" GOLD PLATING

3=30u" GOLD PLATING

H=HALOGEN FREE&LEAD FREE

7=TAPE & REEL

4=SOFT TRAY

B=BLACK COLOR

N=IVORY COLOR

55=5.5mm HEIGHT

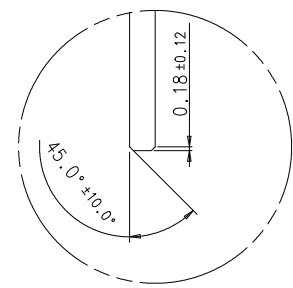
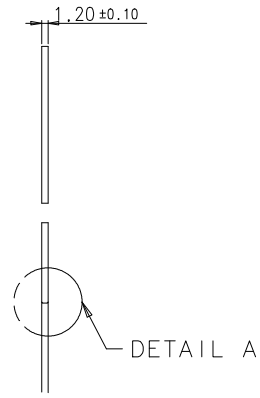
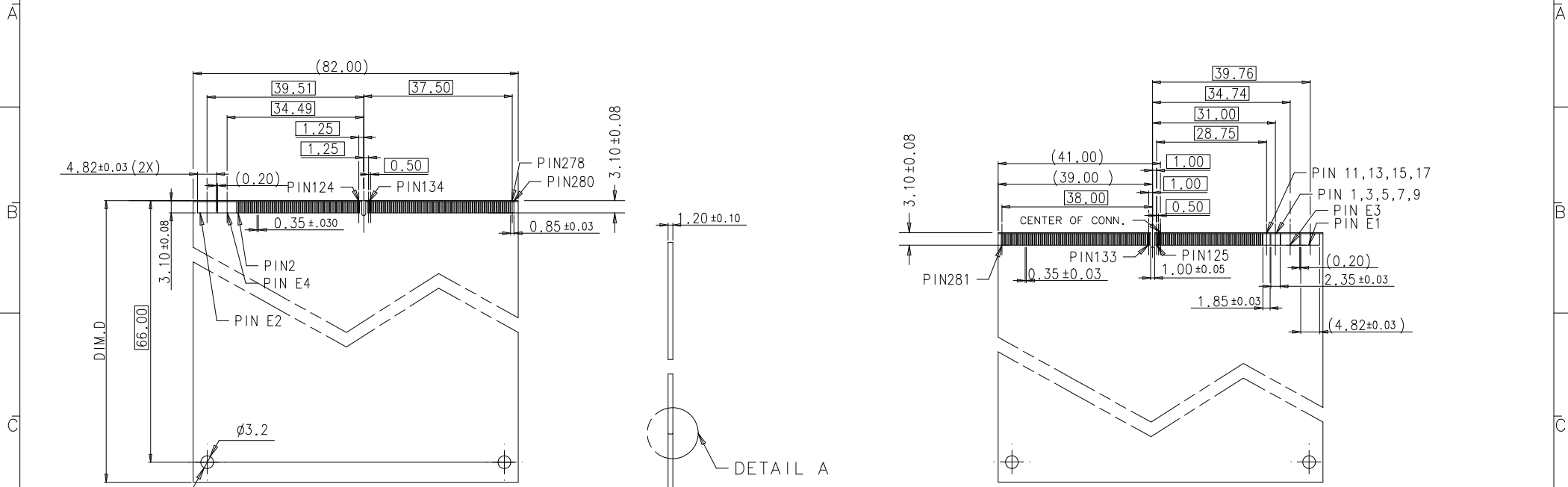
STANDARD

ITEM	DESCRIPTION	Q'TY	MATERIAL	TREATMENT
③	METAL EAR	2	STAINLESS STEEL	50u" NICKEL UNDER PLATING, 30u" PURE TIN PLATING OVER ALL
②	CONTACT	314	PHOSPHOR BRONZE	50u" NICKEL UNDER PLATING GOLD FLASH PLATING AT TAIL AREA GOLD FLASH OR 5u" GOLD PLATING OR 10u" GOLD PLATING OR 15u" GOLD PLATING AT OR 30u" GOLD PLATING AT CONTACT AREA
①	HOUSING	1	LCP	UL94V-0, HALOGEN FREE
				NAME (INTENDED USE)
				MXM3.0 CONNECTOR
				PART NO. (INTENDED USE)
				AS0B82*-S55*-7H
				APPD: Bruce Wu
				CHKD: C.S.Li
				DR: Jena Hu 11/03'16
				FOXCONN®
				FOXCONN INTERCONNECT TECHNOLOGY LIMITED
				CLASS: <input type="checkbox"/> CONFIDENTIAL <input type="checkbox"/> SECRET <input checked="" type="checkbox"/> GENERAL
				TITLE: CUSTOMER DRAWING
				DWG NO.:
				317-0000-1743
				SCALE SHEET REV.
				N/A 1/4 E

THESE DRAWINGS AND SPECIFICATIONS ARE THE PROPERTY OF FOXCONN INTERCONNECT TECHNOLOGY LIMITED, AND SHALL NOT BE REPRODUCED, COPIED OR USED IN ANY MANNER WITHOUT THE PRIOR WRITTEN CONSENT OF FOXCONN INTERCONNECT TECHNOLOGY LIMITED.

IDEAS GENERATED DRAWING, DON'T CHANGE BY HAND.

REV.	ECN. NO.	APPD.



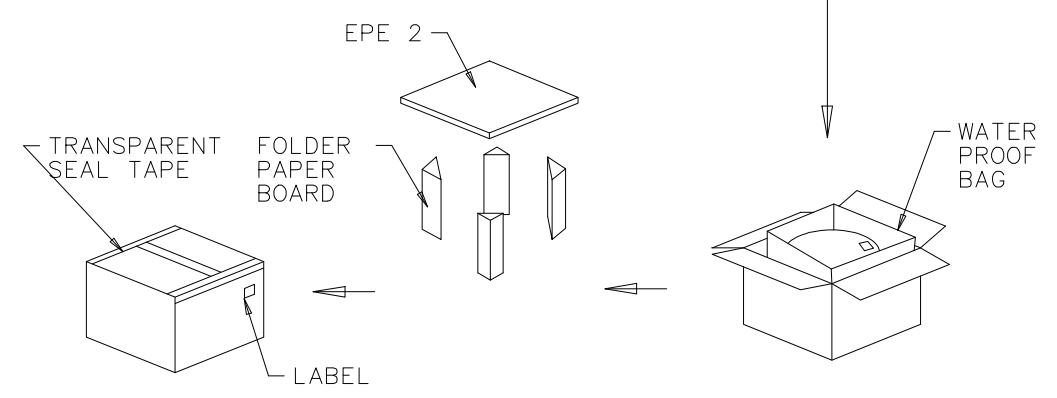
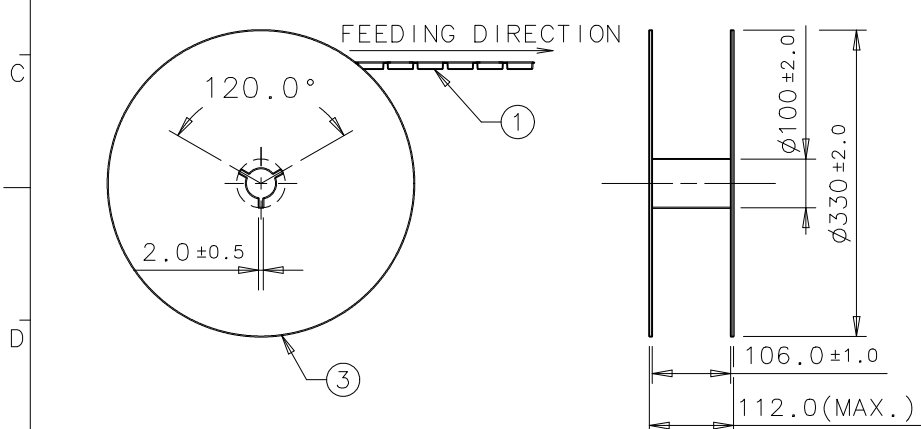
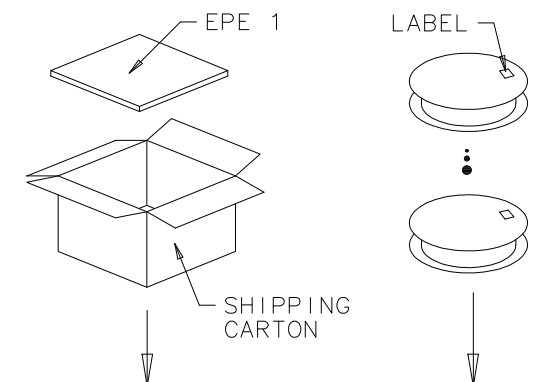
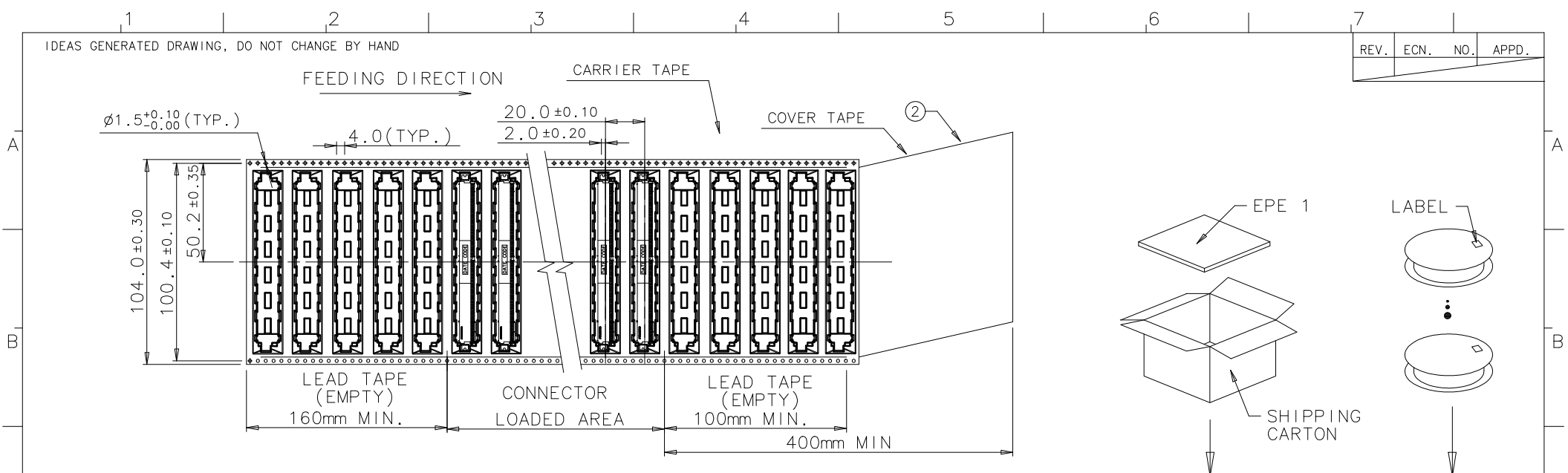
DETAIL A

MXM3.0 TYPE	DIM.D
TYPE A	70.0
TYPE B	105.0

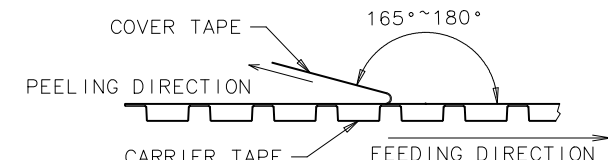
X. ±	X° ±	UNITS	mm	NAME (INTENDED USE)	FOXCONN® FOXCONN INTERCONNECT TECHNOLOGY LIMITED, CO.,LTD.	
.X ± 0.10	.X° ±	MAT'L		MXM 3.0 CONNECTOR		
.XX ± 0.05	.XX°	FINISH		PART NO. (INTENDED USE)	CLASS: <input type="checkbox"/> CONFIDENTIAL <input type="checkbox"/> SECRET <input checked="" type="checkbox"/> GENERAL	
.XXX ±	.XXX° ±	Q'TY		AS0B82*-S55*-7H	TITLE: CUSTOMER DRAWING	
THESE DRAWINGS AND SPECIFICATIONS ARE THE PROPERTY OF FOXCONN INTERCONNECT TECHNOLOGY LIMITED AND SHALL NOT BE REPRODUCED, COPIED OR USED IN ANY MANNER WITHOUT THE PRIOR WRITTEN CONSENT OF FOXCONN INTERCONNECT TECHNOLOGY LIMITED.				APPD: Bruce Wu	DWG NO.:	
				CHKD: C.S.Li	317-0000-1743	
				DR: Jena Hu 11/03'16		
				SCALE	SHEET	REV.
				N/A	2/4	E

IDEAS GENERATED DRAWING, DO NOT CHANGE BY HAND

REV.	ECN.	NO.	APPD.



- NOTES:
- 10 POCKETS HOLE PITCH CUMULATIVE TOLERANCE ± 0.20 MM.
 - COVER TAPE PEELING STRENGTH : 0.01Kgf MIN., 0.15 Kgf MAX. AT 300MM/MIN.



3. PACKING CAPACITY : 450 PCS/REEL, 3 REELS/BOX, TOTAL 1350 PCS/BOX.

③	REEL	POLYSTYRENE
②	COVER TAPE	POLYSTER
①	CARRIER TAPE	POLYSTYRENE
ITEM	DESCRIPTION	MATERIAL

X. ± 1.0	X*. \pm	UNITS	mm	NAME (INTENDED USE)	FOXCONN® FOXCONN INTERCONNECT TECHNOLOGY LIMITED.		
.X ± 0.50	.X* \pm	MAT'L		MXM3.0 CONNECTOR			
.XX ± 0.20	.XX* \pm	FINISH		PART NO. (INTENDED USE)	CLASS: <input type="checkbox"/> CONFIDENTIAL <input checked="" type="checkbox"/> SECRET <input type="checkbox"/> GENERAL		
.XXX \pm	.XXX* \pm		ASOB82*-S55*-7H	TITLE: CUSTOMER DRAWING			
THESE DRAWINGS AND SPECIFICATIONS ARE THE PROPERTY OF FOXCONN INTERCONNECT TECHNOLOGY LIMITED, AND SHALL NOT BE REPRODUCED, COPIED OR USED IN ANY MANNER WITHOUT THE PRIOR WRITTEN CONSENT OF FOXCONN INTERCONNECT TECHNOLOGY LIMITED.				APPD:	Bruce Wu		
				CHKD:	C.S.Li	DWG NO.:	317-0000-1743
				DR:	Jena Hu 11/03'16	SCALE	SHEET
					N/A	4/4	E

CONNECTOR P/N	ASOB82*-S55*-7H
---------------	-----------------

1 2 3 4 5 6 7