

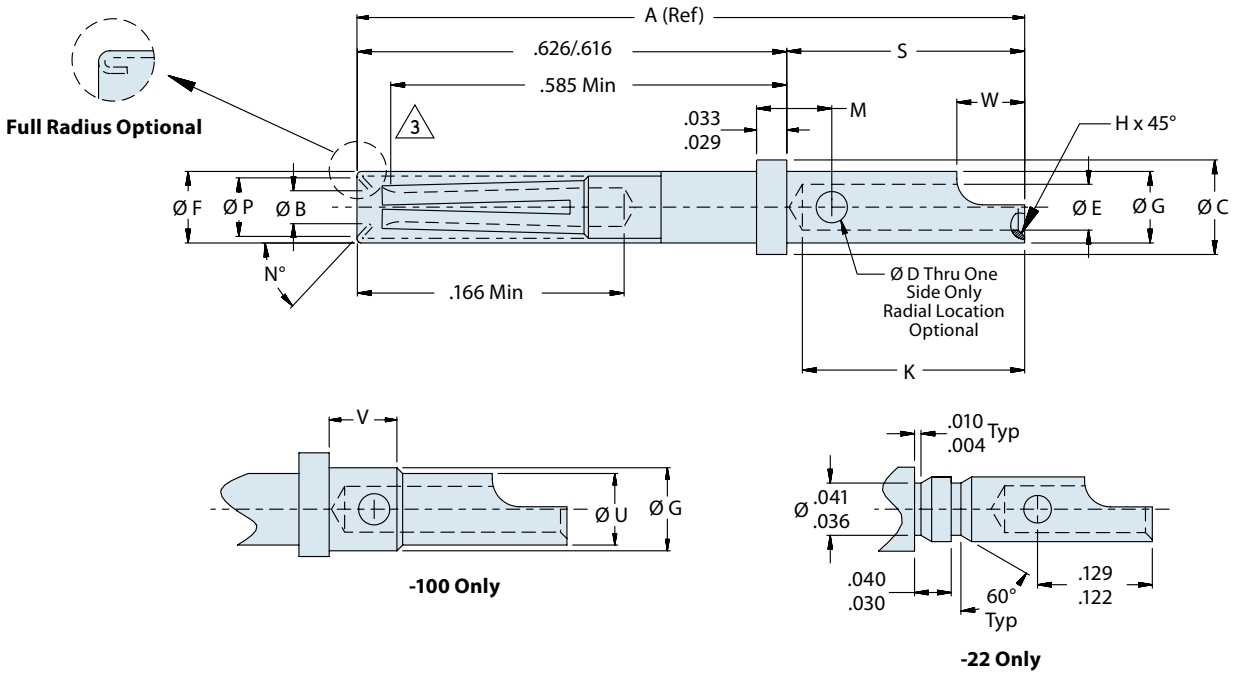


Socket Contact with Solder Cup For D38999 Series I, III and IV Connectors



Mating End Size	Glenair Part Number
22	850-015-22
20	850-015-20
16	850-015-16
12	850-015-12
10	850-015-10

D



Material and Finish

Contact Body: Copper alloy, plated with 50 microinches gold per ASTM B488 Type II code C over 50–100 microinches nickel IAW SAE AMS-QQ-N-290, class II
Hood: 305 CRES, passivated

850-015
M39029/56 Type
Socket Contact With Solder Cup



Special
Purpose

TABLE I: CONNECTOR DIMENSIONS

Size	Part Number	A Ref	Ø B Min	Ø C	Ø D	Ø E	Ø F Max	Ø G	Ø H
22	850-015-22	.855	.031	.062 .060	.022 .018	.036 .034	.062	.048 .046	.005 .003
20	850-015-20	.855	.0415	.094 .091	.032 .026	.048 .042	.078	.070 .068	.010 .005
16	850-015-16	.855	.064	.130 .127	.042 .036	.080 .070	.113	.103 .101	.010 .005
12	850-015-12	.855	.0955	.182 .179	.042 .036	.120 .112	.161	.151 .148	.016 .005
10	850-015-10	1.021	.1265	.242 .238	.052 .046	.146 .138	.215	.213 .207	.016 .005

TABLE I: (Continued) CONNECTOR DIMENSIONS

Size	Part Number	K	M	N°	Ø P Min	S	Ø U	V	W
22	850-015-22	.160 .130	—	50° 44°	.047	.237 .231	—	—	.080 .050
20	850-015-20	.230 .200	.078 .072	47° 40°	.053	.237 .231	—	—	.105 .075
16	850-015-16	.230 .200	.088 .082	47° 40°	.084	.237 .231	—	—	.105 .075
12	850-015-12	.230 .200	.088 .082	47° 40°	.118	.237 .231	—	—	.115 .085
10	850-015-10	.385 .355	.115 .108	Full Radius	.146	.405 .395	.183 .177	.121 .111	.140 .110

D