

PLEASE CHECK WWW.MOLEX.COM FOR LATEST PART INFORMATION

Part Number: [5601230302](#)
Status: **Active**
Overview: [DuraClik™ Connector System](#)
Description: [DuraClik ISL Wire-to-Board Receptacle Housing, Single Row, Red, 3 Circuits](#)

Documents:

3D Model	Product Specification PS-560123-003-001 (PDF)
Drawing (PDF)	Application Specification AS-560123-001-001 (PDF)
Product Specification 5601230900- PS (PDF)	Packaging Specification 5601230900-PK (PDF)
Product Specification PS-560123-002-001 (PDF)	RoHS Certificate of Compliance (PDF)

General

Product Family	Crimp Housings
Series	560123
Application	Signal, Wire-to-Board
Overview	DuraClik™ Connector System
Product Name	DuraClik
UPC	889056617123

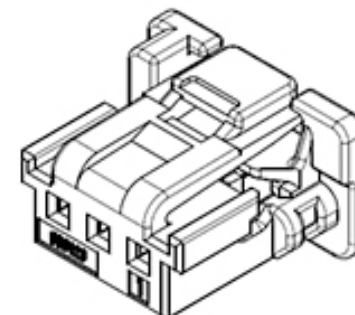
Physical

Circuits (maximum)	3
Color - Resin	Red
Gender	Receptacle
Glow-Wire Compliant	No
Keying to Mating Part	None
Lock to Mating Part	Yes
Material - Resin	PBT
Net Weight	0.219/g
Number of Rows	1
Packaging Type	Tray
Panel Mount	No
Pitch - Mating Interface	2.00mm
Polarized to Mating Part	Yes
Stackable	No
Temperature Range - Operating	-40°C to +125°C

Material Info

Reference - Drawing Numbers

Application Specification	AS-560123-001-001
Packaging Specification	5601230900-_PK
Product Specification	5601230900-_PS , PS-560123-002-001 , PS-560123-003-001
Sales Drawing	SD-560123-003



Series image - Reference only

EU ELV

Not Reviewed

EU RoHS

Compliant

REACH SVHC

Not Contained Per -
ED/30/2017 (7 July
2017)

Halogen-Free

Status

Not Low-Halogen

Need more information on product environmental compliance?

Email productcompliance@molex.com
Please visit the [Contact Us](#) section for any non-product compliance questions.

China ROHS	Green Image
ELV	Not Reviewed
RoHS Phthalates	Not Contained

Search Parts in this Series

[560123](#) Series

Mates With

[DuraClik Right-Angle Header 502352](#)

[DuraClik Vertical Header 560020](#)

Use With

[DuraClik ISL Terminal 560124](#)
[DuraClik ISL Retainer 560125](#)