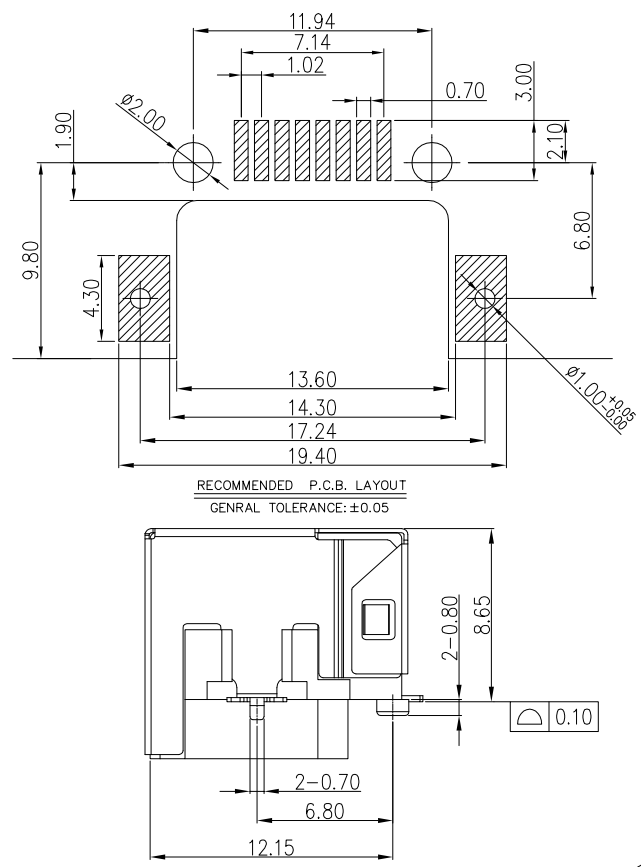
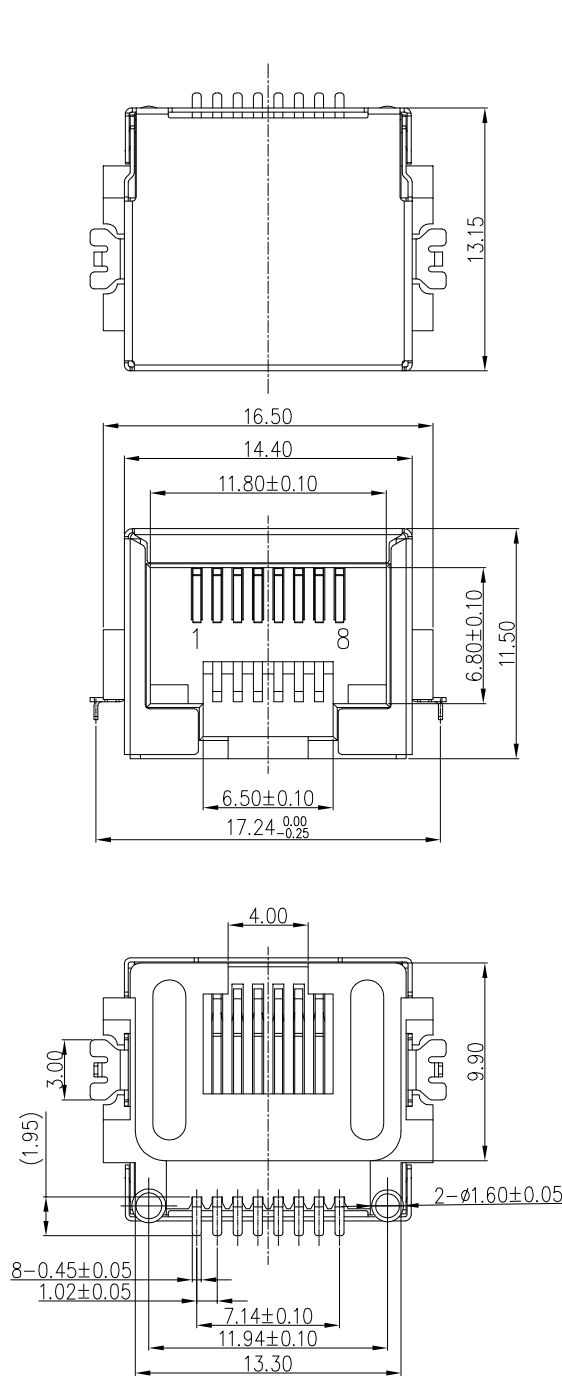
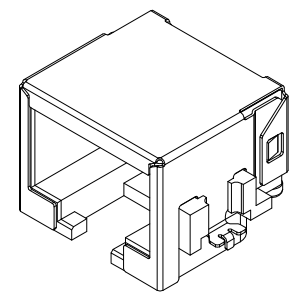
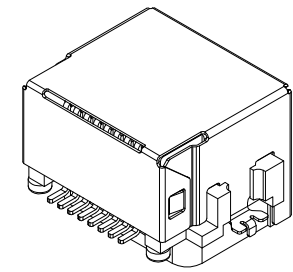


| E | | F | |
|-----|------|----------------------|------------|
| 修 订 | 标 记 | 修 改 描 要 | 签 名 |
| REV | MARK | REVISION DESCRIPTION | SIGNATURE |
| NO | | NEW DRG | |
| | | | 日期 |
| | | | DATE |
| | | | 2016-03-12 |

NOTE:

- 1.MATERIAL SPECIFICATION:
 - 1.1 HOUSING:HIGH TEMPERATURE RESISTANT PLASTIC,UL94 V-0.
 - 1.2 CONTACTS:COPPER ALLOY
 - 1.3 SHELL: COPPER ALLOY
- 2.PLATING SPECIFICATION:
 - 2.1 CONTACTS:
 - Ni 50u" MIN. UNDER PLATED OVER ALL.
 - GOLD FLASH PLATING ON CONTACT AREA
 - TIN PLATING ON SOLDER AREA
 - 2.2 SHELL:
 - Ni 30u" MIN. UNDER PLATED OVER ALL.
- 3.MECHANICAL PERFORMANCE,
 - 3.1 INSERTION FORCE: 25N Max.
 - 3.2 DURABILITY: 750 CYCLES.
- 4.ELECTRICAL PERFORMANCE,
 - 4.1 CURRENT RATING:1.5A
 - VOLTAGE RATING:150 V AC RMS.
 - 4.2 INSULATION RESISTANCE: 1000MΩ MIN
 - 4.3 DIELECTRIC WITHSTAND VOLTAGE,AC 1000V FOR 1 MINUTE.
5. ENVIRONMENTAL PERFORMANCE:
 - OPERATING TEMPERATURE: -40°C~+80°C.
- 6.IR REFLOW:
 - THE PEAK TEMPERATURE ON THE BOARD SHALL BE MAINTAINED FOR 10 SECONDS AT 260°C.

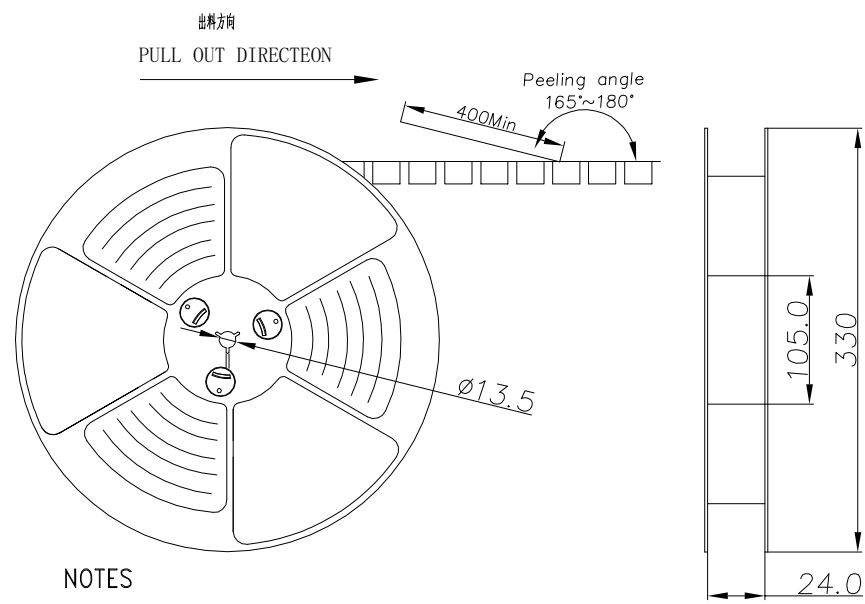
| PIN | Name | Description |
|-----|------|------------------------|
| 1 | TX+ | Trancelive Data+(发信号+) |
| 2 | TX- | Trancelive Data-(发信号-) |
| 3 | RX+ | Receive Data+(收信号+) |
| 4 | N/C | Not connected(空脚) |
| 5 | N/C | Not connected(空脚) |
| 6 | RX- | Receive Data-(收信号-) |
| 7 | N/C | Not connected(空脚) |
| 8 | N/C | Not connected(空脚) |



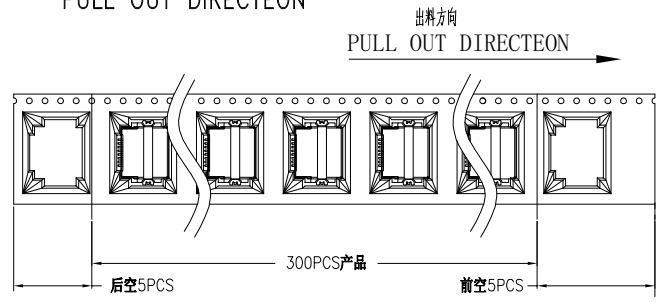
深圳市华德共创科技有限公司
 Shenzhen Huade co-create Technology Co.,LTD
 电话: 0755-23304126 传真: 0755-29940187

| -TOLERANCES- UNLESS OTHERWISE SPECIFIED 公差参数表 | | TITLE: 产品名称: RJ45沉板8.6全包 SMT | |
|---|------------|---------------------------------|----------------------------------|
| X.X ±0.30 | X.X* ±3° | APPD: 核准: | PART NO: 产品编号: RJ45-DB-101PWB |
| X.XX ±0.20 | X.XX* ±2° | CHECK: 校对: 王建业 | DATE |
| X.XXX ±0.10 | X.XXX* ±1° | DRAW: 绘图: 黄艳兰 | SCALE |
| | | | UNIT |
| | | | CODE NUMBER |
| | | | 2018-03-12 |
| | | | 1:1 |
| | | | mm |
| | | | A001 |

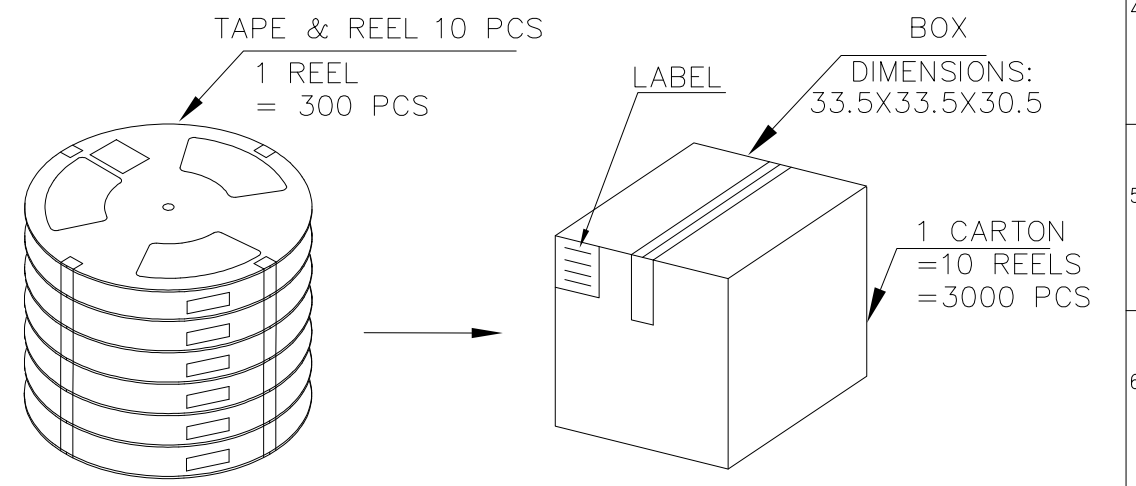
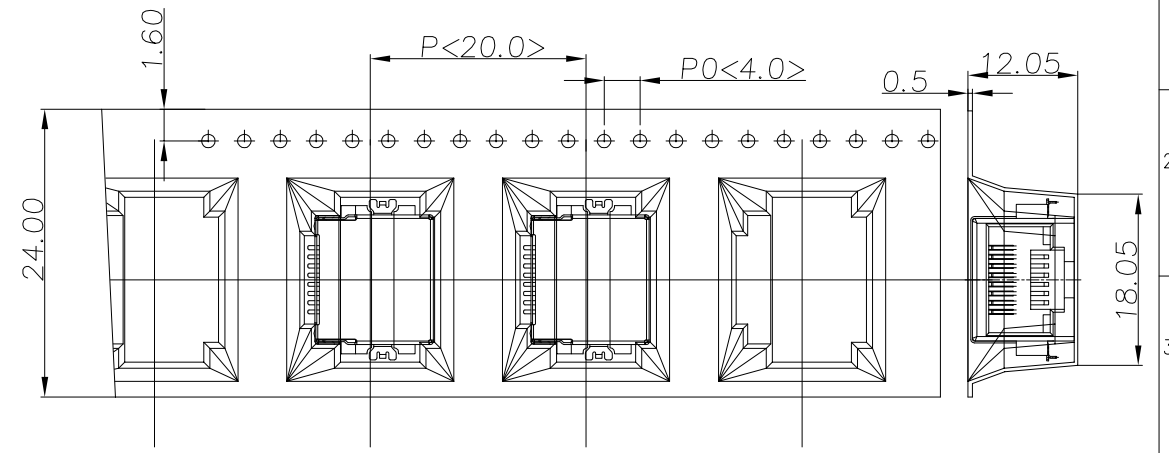
| 修订 | 标记 | 修改摘要 | 签名 | 日期 |
|-----|------|----------------------|-----------|------------|
| REV | MARK | REVISION DESCRIPTION | SIGNATURE | DATE |
| AO | | NEW DRG | | 2016-03-12 |



1. 帶子引導長度
LEAD TAPE LENGTH
出料方向
PULL OUT DIRECTEON



2. 上帶 剝力力為: 0.1~1.3N(10.2gf~130gf)
PEELING OFF FORCE OF TOP TAPE: 0.1~1.3N(10.2gf~130gf)
出貨運輸過程中一定注意:
THIS REQUIREMENT SHOULD BE APPLIED AT SHIPMENT:
卷帶在運輸過程中不能散開
PEELING OFF SHOULD NOT BE ALLOWED DURING TRANSPORTATION



| -TOLERANCES- UNLESS OTHERWISE SPECIFIED 公差参数表 | | APPD: 核准: | | TITLE: 产品名称: RJ45沉板8.6全包 SMT | | | | |
|---|-------|--------------|-----|---------------------------------|------------|-------|------|-------------|
| X.X | ±0.30 | X.X* | ±3° | CHECK: 校对: | DATE | SCALE | UNIT | CODE NUMBER |
| X.XX | ±0.20 | X.XX* | ±2° | 王建业 | 2018-03-12 | 1:1 | mm | A001 |
| X.XXX | ±0.10 | X.XXX* | ±1° | DRAW: 绘图: | | | | |
| | | | | 黄艳兰 | | | | |



深圳市华德共创科技有限公司
Shenzhen Huade co-create Technology Co., LTD
电话: 0755-23304126 传真: 0755-29940187